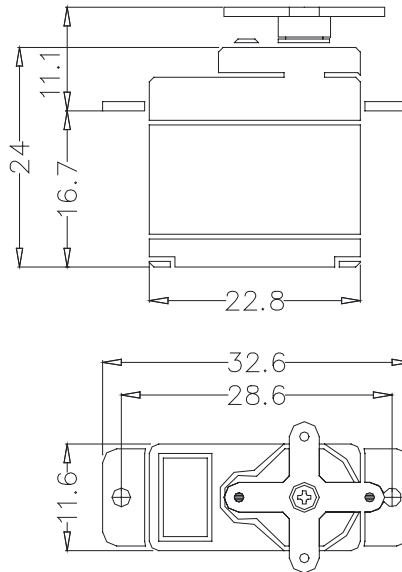


ANNOUNCED SPECIFICATION OF HS-55 MICRO LITE SERVO

1. TECHNICAL VALUES

CONTROL SYSTEM	:+PULSE WIDTH CONTROL 1500usec NEUTRAL	
OPERATING VOLTAGE RANGE	:4.8V TO +6.0V	
OPERATING TEMPERATURE RANGE	:-20°C TO +60°C	
TEST VOLTAGE	:AT 4.8V	AT 6.0V
OPERATING SPEED	:0.17sec/60° AT NO LOAD	0.14sec/60° AT NO LOAD
OPERATING TORQUE	:1.1kg.cm(15.27oz.in)	1.3kg.cm(18.05oz.in)
OPERATING ANGLE	:40°ONE SIDE PULSE TRAVELING 400usec	
DIRECTION	:CLOCK WISE/PULSE TRAVELING 1500 TO 1900usec	
IDLE CURRENT	:5.4mA	5.5mA
RUNNING CURRENT	:150mA	180mA
DEAD BAND WIDTH	:8usec	
CONNECTOR WIRE LENGTH	:160mm(6.29in)	
DIMENSIONS	:22.8x11.6x24mm(0.89x0.45x0.94in)	
WEIGHT	:8g(0.28oz)	



2. FEATURES

- 5-POLE CORELESS MOTOR
- DIRECT POTENTIOMETER DRIVE
- HYBRID I.C

3. APPLICATIONS

- 1/2A PLANES AND ELECTRIC DRAGSTERS