

GENERAL NOTES:

Use 5-minute Epoxy to assemble the TRAILS and AXLE HOUSING. For the rest use either the Epoxy or cyanoacrylate (Super Glue).

Clean all mold marks from castings using a #11 or #12 hobby knife, small files and sandpaper.

Be careful not to make scratches across the wheel tires. If you intend to leave this area unpainted, polish the tires with steel wool and coat with clear lacquer.

In cleaning the castings, be careful not to destroy or damage the wood grain effect. If you inadvertently do so, you can re-establish the effect by drawing the edge of a file or riffler across the casting in the same direction as the existing wood grain.

Clear all holes with a sharp instrument or drill.

Note that left and right sides of the carriage are not the same.

The ELEVATING SCREW and HOUSING are a single fixed casting. Determine your desired display angle for the gun barrel and trim the screw if necessary before attaching the ELEVATING HANDLE.

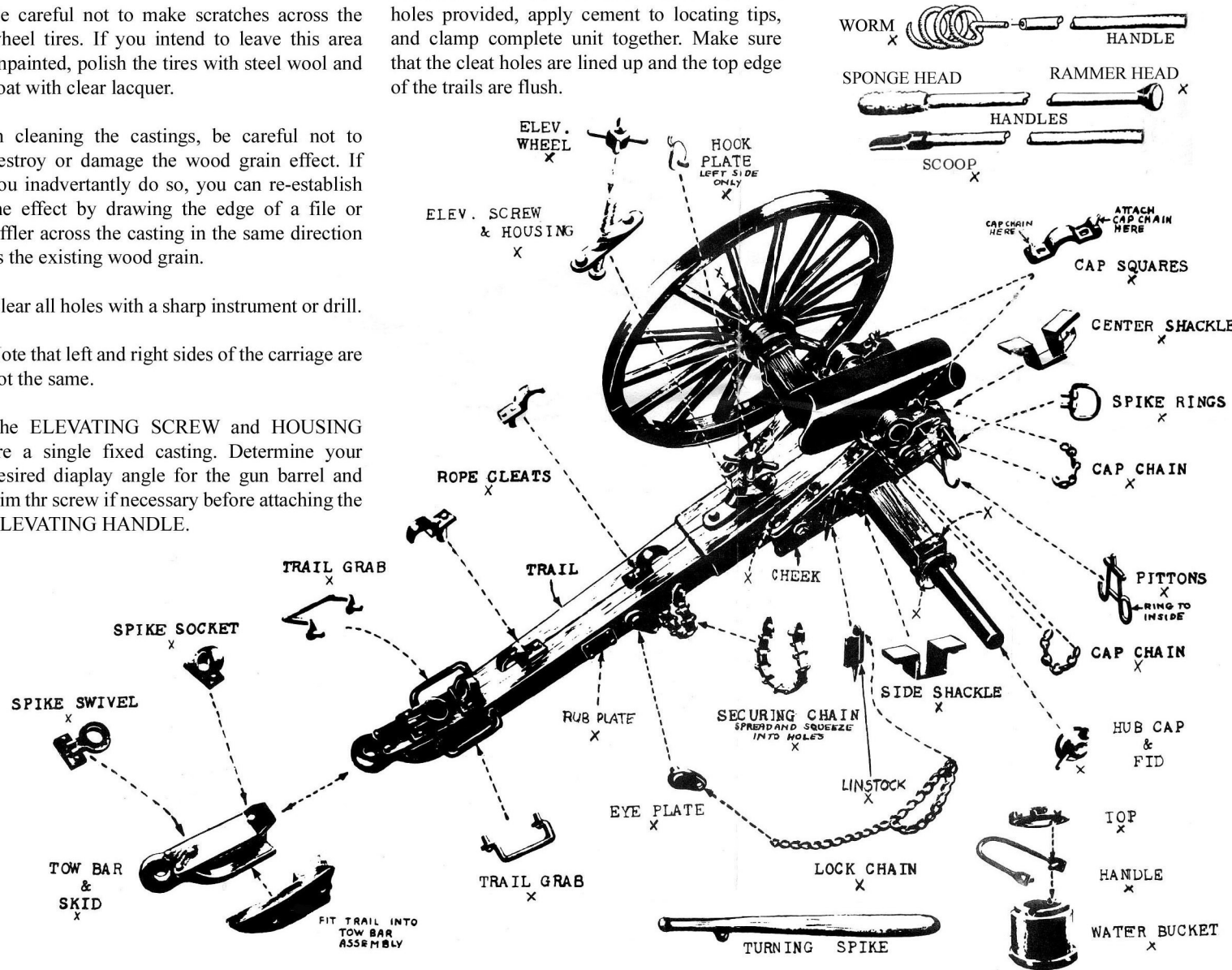
ASSEMBLY:

(1) Drop LEFT TRAIL into space on TOW BAR and SKID. (Do not try to force TOW BAR and SKID on from end.) Run a ribbon of cement along gluing edge and drop right trail in place. Install ELEVATING SCREW HOUSING in holes provided, apply cement to locating tips, and clamp complete unit together. Make sure that the cleat holes are lined up and the top edge of the trails are flush.

GUNS of HISTORY

AMERICAN CIVIL WAR

12-POUNDER NAPOLEON



(2) Dry fit CHEEKS to TRAIL using GUN BARREL to check alignment. Adjust as needed, then apply glue to SHIMS (discs) on CHEEKS and attach to TRAIL sides.

(3) Install AXLE HOUSING to CHEEK and TRAIL CUT-OUTS. Apply cement in unexposed areas. Align with TRAILS and allow to dry thoroughly. Apply cement to inside of CENTER SHACKLE and drop over AXLE HOUSING with HOOK forward. Apply cement to SIDE SHACKLES and install directly under each CHEEK.

(4) Paint this assembly light gray or olive drab. Paint SCREW HOUSING black.

(5) Paint all remaining parts black, apply cement to inside surfaces and pins and install according to the illustration.

(6) Paint WHEELS light gray or olive drab with bands on hubs and tire bolts black. Slide on WHEELS (narrower hubs out), trim AXLE ends if needed and attach HUB CAPS.

(7) Emplace CANNON on CHEEKS and cement CAP SQUARES to CHEEKS over TRUNION BARS.

(8) Take 3.5" of chain, spread end link and attach on itself 15 links from that end. Likewise attach the other end to the EYE PLATE. Hook the looped end over the LINSTOCK. Cut remaining chain into four 1" lengths and attach ends to small pins on CHEEKS and CAP SQUARES as shown.

(9) Spread cast SECURING CHAIN and squeeze into holes in TRAIL. Do not cement, allow to swing freely.

(10) Paint TURNING SPIKE black or dark brown, slip through LEFT SPIKE RING and hang its ring onto HOOK PLATE on LEFT CHEEK.

(11) Assemble the BUCKETS. WATER BUCKET (tall one) is illustrated. GREASE BUCKET is similar. Hook WATER BUCKET on CENTER SHACKLE HOOK. GREASE BUCKET hangs from LEFT PITTON hook.

(12) Fit the SPONGE HEAD and RAMMER HEAD to opposite ends of one 1/8" x 4" dowel, the SCOOP to another 1/8" x 4" dowel. Use the provided wire to fashion the WORM (5/32" ID) and insert this into the third dowel. Paint the SPONGE dirty tan; paint the dowels black or stain them dark wood. The RAMMER/SPONGE hangs on the right PITON hook with the ram end through the SECURING CHAIN. The WORM and SCOOP handles go through the PITON rings, then through the hanging water bucket handle to the SECURING CHAIN.

(13) Seize an eye in the ends of the provided cordage using the provided thread. Catch an eye on one ROPE CLEAT and loop the cord around both, figure-eight fashion. Catch the second eye on the other CLEAT.

COLORS:

The complete carriage and wheels were painted a light gray or olive drab. The exact color would have varied from gun to gun. Most batteries painted all metal parts black. These parts are marked with an "X" on the illustration. The bronze gun barrel either was painted black or was allowed to weather to a verdigris patina.

This model is derived from the original Marine Model Company kit and has been updated by Model Shipways Inc. and Ken Goldman.

Kit No. MS4003



Manufactured by Model Shipways
A division of Model Expo, Inc.
Hollywood, Florida, USA
www.modelexpo-online.com

WHITWORTH, BREECH-LOADING 12-POUNDER

Designed by Sir Joseph Whitworth, the cannon that bore his name became a favored weapon of the Confederacy. Unusual in appearance as well as operation, the Whitworth was a breech-loader that fired an elongated 12-pound iron shell from a finely rifled 1,100 pound barrel. Accurate and easy to maneuver, it had a range of 4.5 miles and made a shrill, whistling noise which could be distinguished from all other cannon of the period. The Whitworth saw action at Gettysburg, Charleston, Vicksburg, Fredericksburg and many other American Civil War battlefields.

- Historically accurate and perfectly scaled
- Cleanly cast Britannia metal components
- Authentically detailed cannon barrel
- One-piece ready to assemble wheels
- Clearly written illustrated instructions
- Easy to build – assembly and painting time 5-10 hours

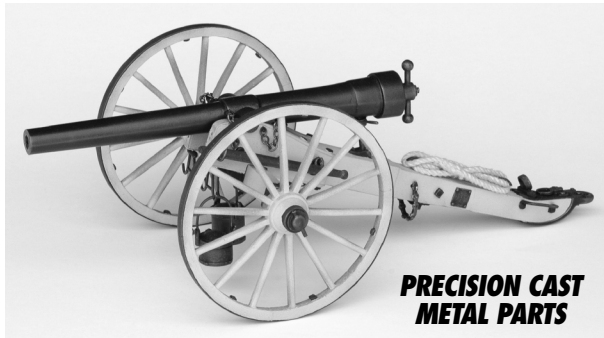


Entry Level • No. MS4001

Length 10" / Width 4"

Height 3-1/4"

Weight 1 lb., 4 oz. / Scale 1:16



**PRECISION CAST
METAL PARTS**

Check your local Guns of History or Model Shipwaysdealer for prices and availability. If there is no dealer in your area, or you would prefer to buy via the internet, go directly to:

www.modelexpo-online.com

LIMBER AMMUNITION CHEST, FOR BOTH WHITWORTH AND NAPOLEON 12-POUNDERS

The limber was an indispensable piece of equipment during the American Civil War. It was a simple two-wheeled cart designed to carry an ammunition chest containing gunpowder and shot for the artillery pieces. A team of horses was hitched to the limber and a cannon was hooked on to its rear when the army was on the move.

The ammunition chest lid was large enough to seat up to three men. However, sitting above the gunpowder was dangerous, so after the first few months of the War, only the driver rode on the limber. In times of battle, the limber and horses were left behind the lines of fire.

- Historically accurate and perfectly scaled
- Cleanly cast Britannia metal components
- Authentically detailed ammunition chest
- One-piece ready to assemble wheels
- Clearly written illustrated instructions
- Easy to build – assembly and painting time 5-10 hours

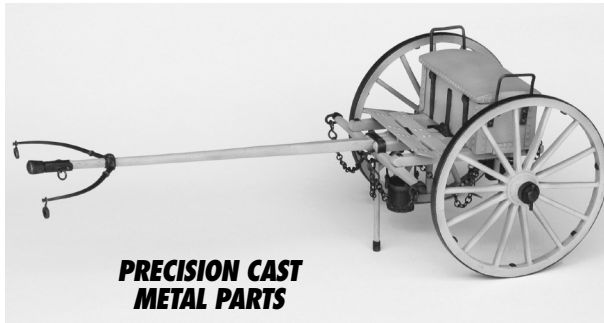


Entry Level • No. MS4002

Length 10" / Width 4"

Height 3-1/4"

Weight 1 lb. / Scale 1:16



**PRECISION CAST
METAL PARTS**

Check your local Guns of History or Model Shipwaysdealer for prices and availability. If there is no dealer in your area, or you would prefer to buy via the internet, go directly to:

www.modelexpo-online.com

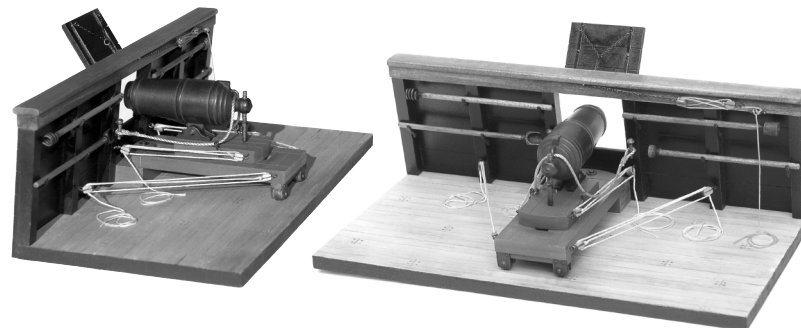
COMING SOON!

Please check our website for availability.

CARRONADE 32-POUNDER 1800-1812

Check your local Guns of History or Model Shipways dealer for prices and availability. If there is no dealer in your area, or you would prefer to buy via the internet, go directly to:

www.modelexpo-online.com



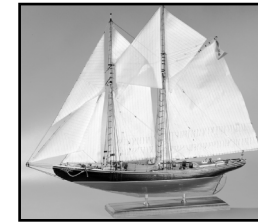
Other Fine Kits from Model Shipways



SULTANA
Model Shipways Kit No. MS2016



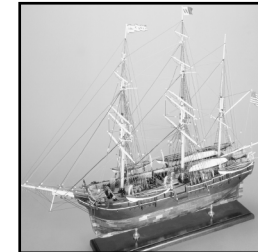
WILLIE L. BENNETT
Model Shipways Kit No. MS2032



BLUENOSE
Model Shipways Kit No. MS2130



RATTLESNAKE
Model Shipways Kit No. MS2028



CHARLES MORGAN
Model Shipways Kit No. MS2140



BENJAMIN LATHAM
Model Shipways Kit No. MS2109

OUR GUARANTEE

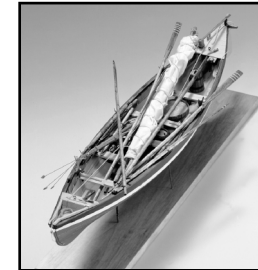
If less than delighted, return your purchase within 30 days in original condition.



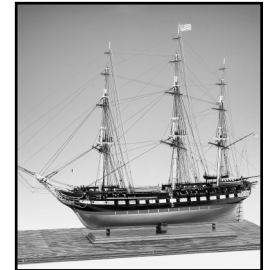
PHANTOM
Model Shipways Kit No. MS2027



EMMA C. BERRY
Model Shipways Kit No. MS2150



BEDFORD WHALEBOAT
Model Shipways Kit No. MS2645



USS CONSTITUTION
Model Shipways Kit No. MS2040



NIAGARA
Model Shipways Kit No. MS2240



FLYING FISH
Model Shipways Kit No. MS2018



PRINCE DE NEUFCHATEL
Model Shipways Kit No. MS2110



PRIDE OF BALTIMORE II
Model Shipways Kit No. MS2120

MODEL SHIPWAYS

Sold & distributed by Model Expo, a division of Model Shipways, Inc.
3850 N. 29th Terrace, Hollywood, FL 33020

Toll-Free 800-222-3876 Monday - Friday 9-5 ET • Fax 800-742-7171

SAVE TIME & MONEY ... ORDER DIRECTLY FROM OUR WEBSITE!

www.modelexpo-online.com