

M3×8 screw ×4
圓頭螺絲

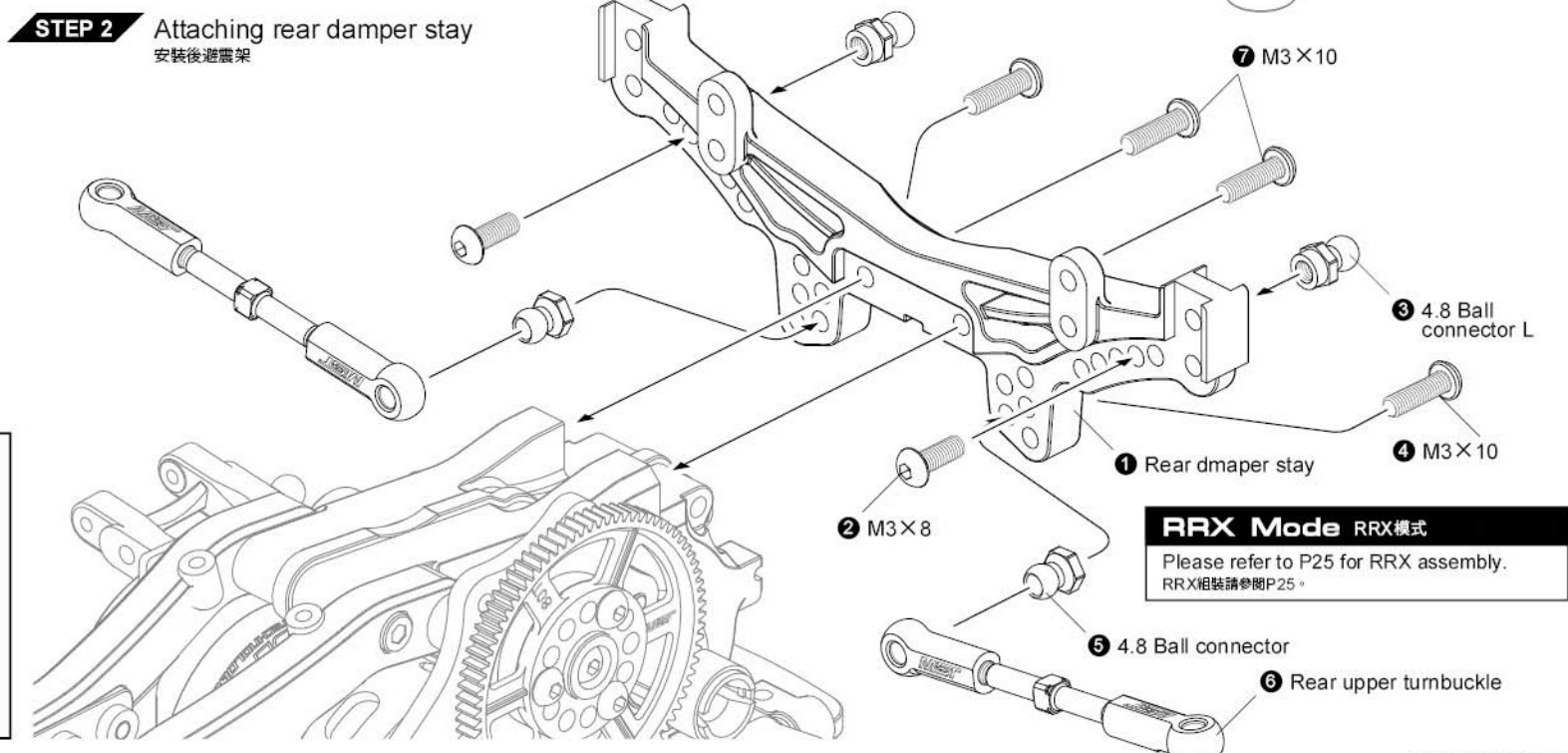
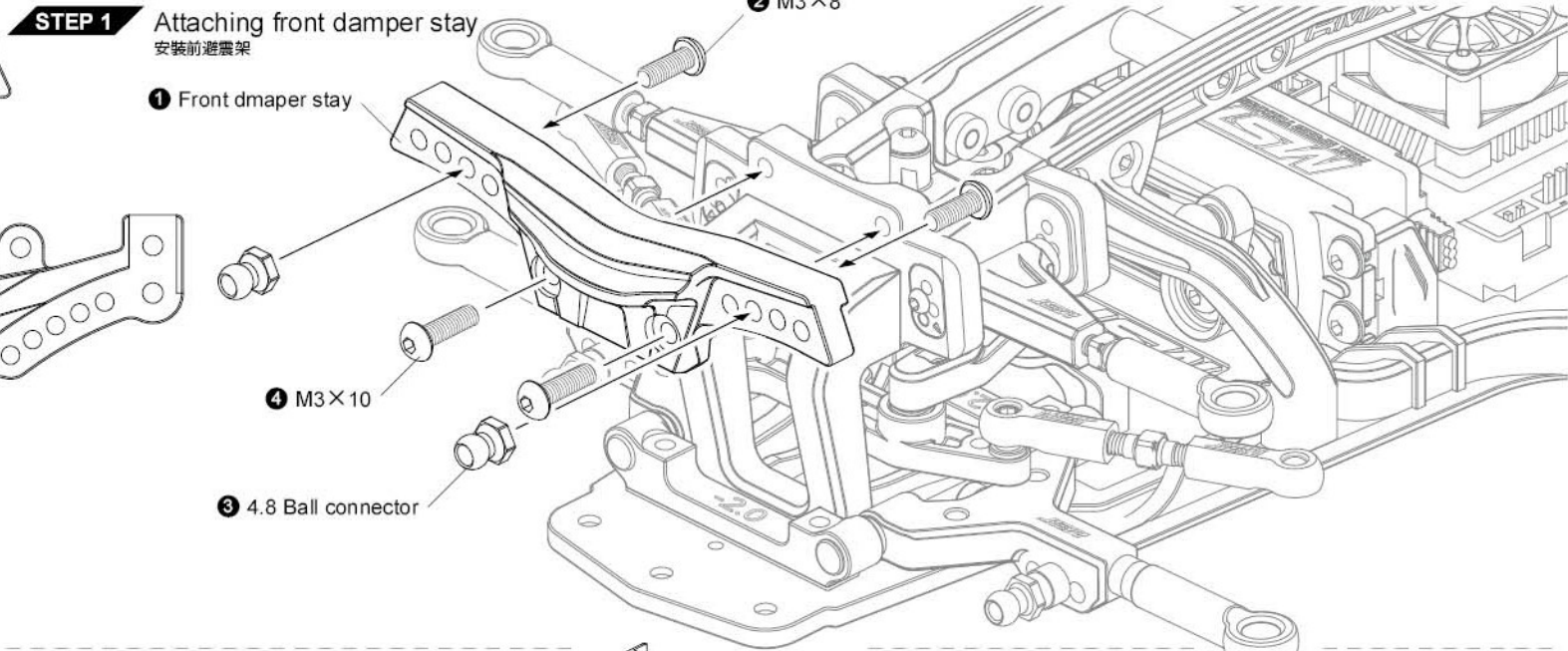
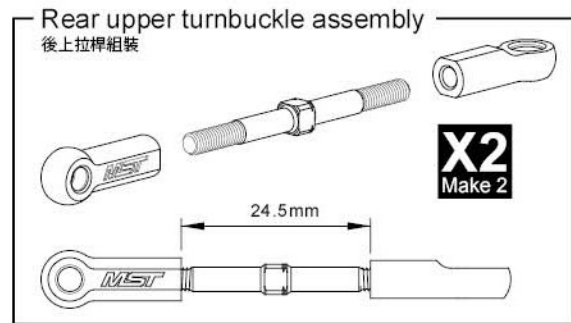
M3×10 screw ×6
圓頭螺絲

4.8 Ball connector ×4
外六角球頭

4.8 Ball connector L ×2
外六角球頭 (長)

4.8 adjuster M ×4
拉桿頭

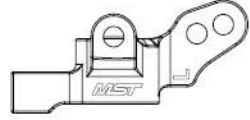
M3×40 steel turnbuckle ×2
鋼製可調拉桿



RRX Mode RRX模式
Please refer to P25 for RRX assembly.
RRX組裝請參閱P25。



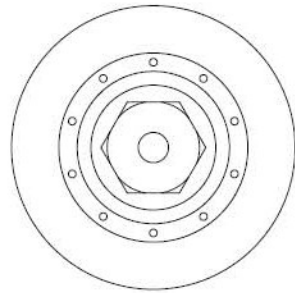
Front upright R × 1
前輪座 R



Front upright L × 1
前輪座 L



Brake calipers × 2
制車卡鉗



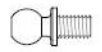
Wheel hubs (large)
(brake disc shaped) × 2
六角輪座(大)(制車碟型)



2WD Axle × 2
二驅輪軸



5.8×4 Ball connector L × 4
球頭螺絲(長)



4.8×4.5 Ball connector × 2
球頭螺絲



M2×4 screw × 2
圓頭螺絲



2×9.8 Shaft × 2
插銷

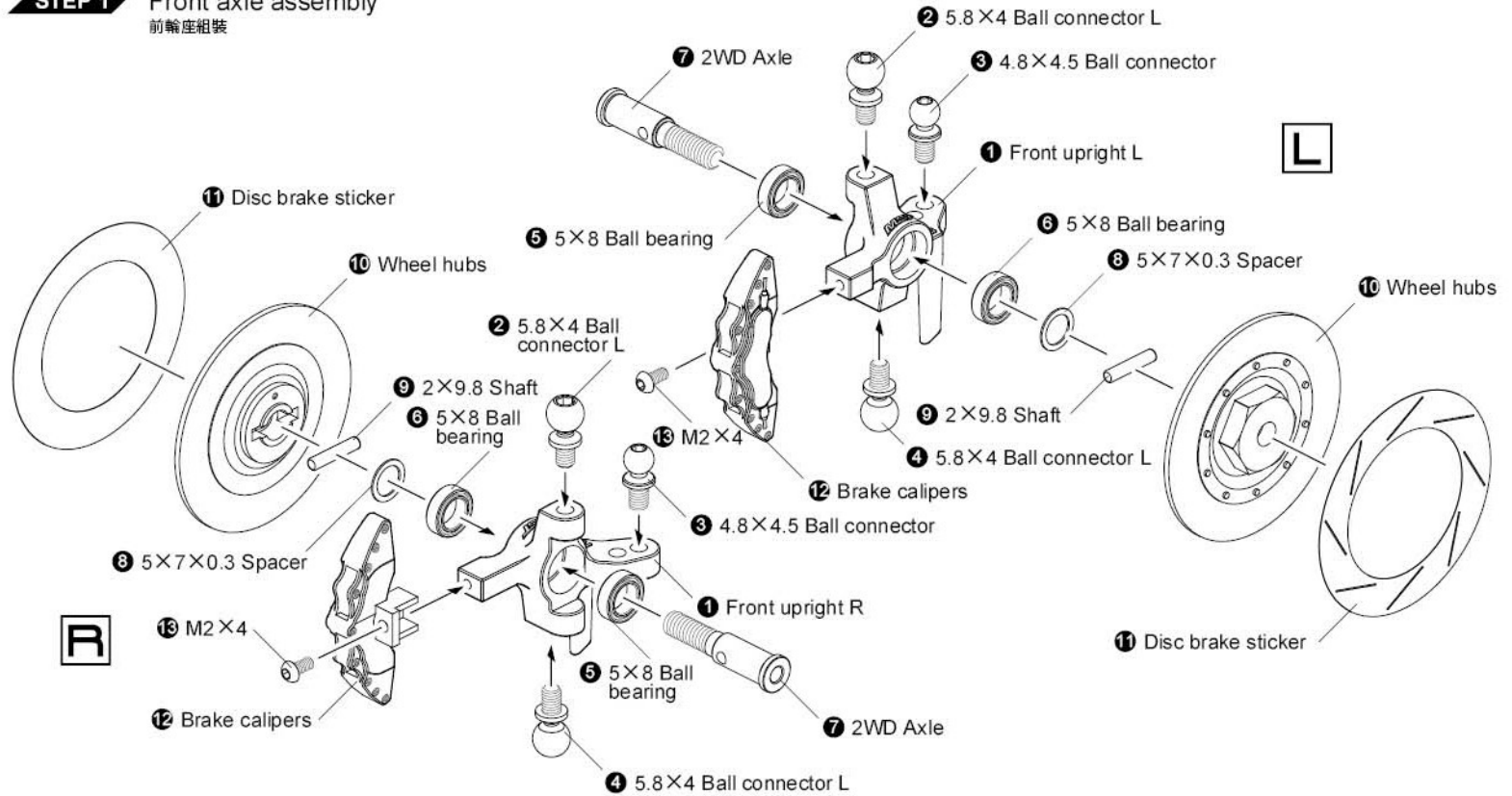


5×8 Ball bearing × 4
培林

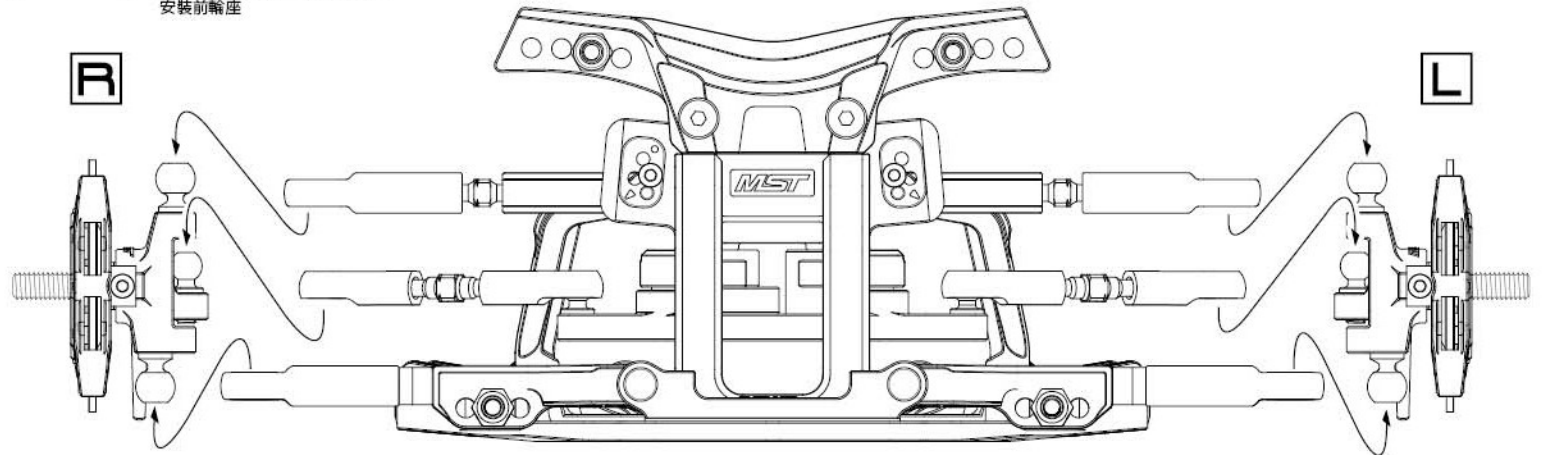


5×7×0.3 Spacer × 2
墊片

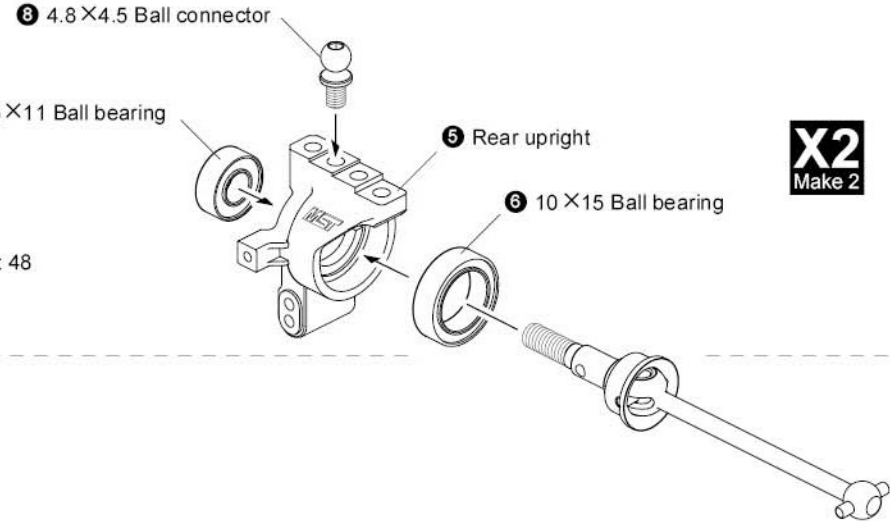
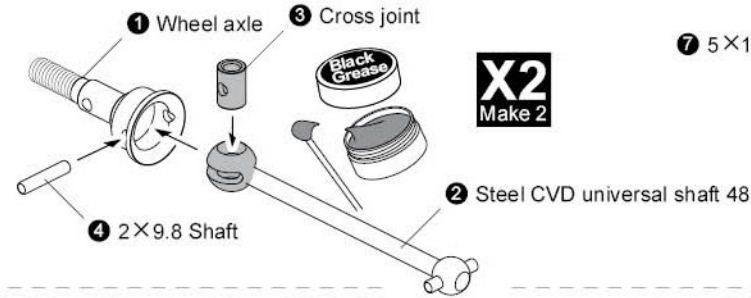
STEP 1 Front axle assembly
前輪座組裝



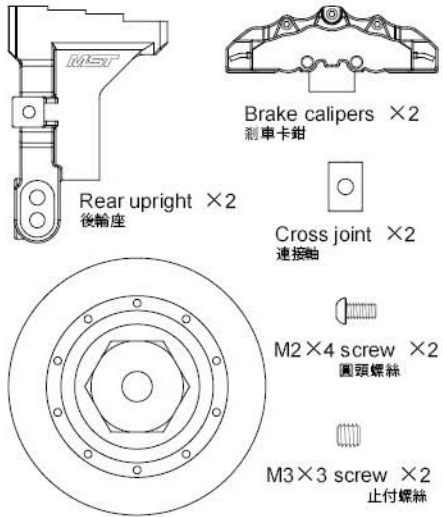
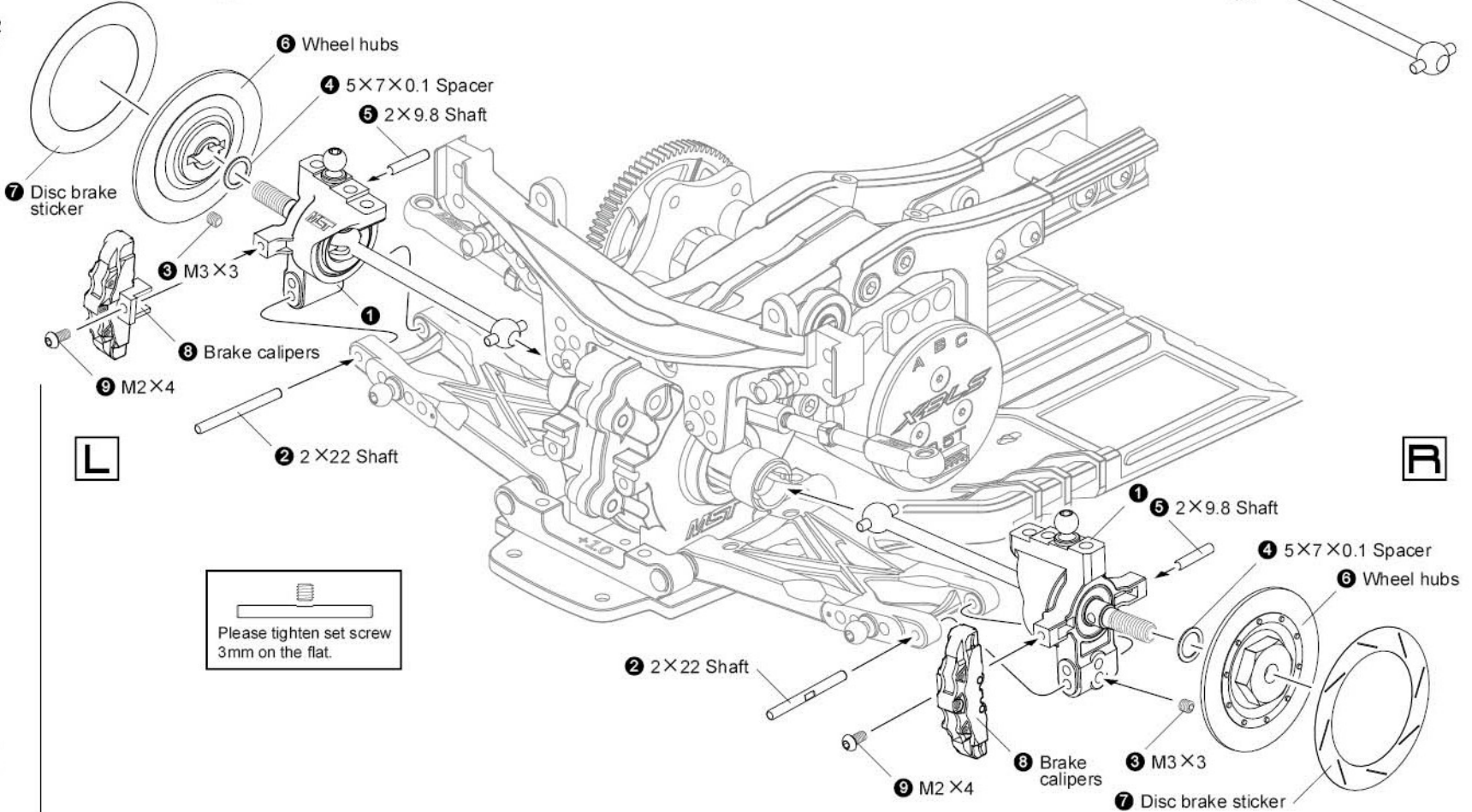
STEP 2 Attaching front axle
安裝前輪座



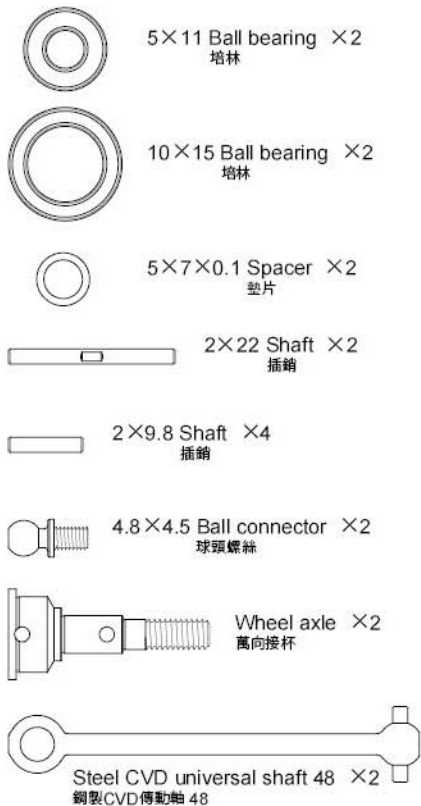
STEP 1 Rear axle assembly
後輪座組裝

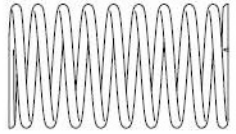


STEP 2 Attaching rear axle
安裝後輪座

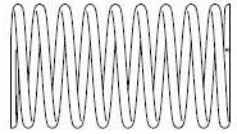


Wheel hubs (small)(brake disc shaped) ×2
六角輪座(小)(制車碟型)

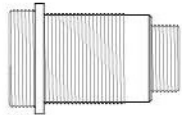




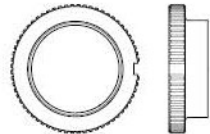
Hard coil spring 31mm ×2 (gold)
硬避震彈簧 31mm (金)



Soft coil spring 31mm ×2 (purple-red)
軟避震彈簧 31mm (紫紅)



Damper cylinder ×4
避震筒身



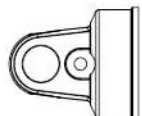
Spring retainer (red) ×4
避震器調整環 (紅)



Piston rod ×4
避震軸心



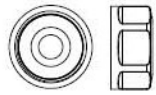
Piston ×4
避震活塞



Cylinder cap ×4
避震器上蓋



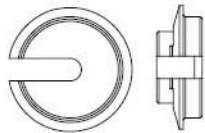
Damper adjuster ×4
避震器拉桿



Rod guide cap ×4
避震器下蓋



10.8×0.9 O-ring ×4
O環



Damper retainer ×4
避震器彈簧座



12×1 O-ring ×4
O環



Oil seal ×4
避震器氣室



Damper O-ring P3 ×4
避震器O環



Rod guide ×4
避震器下蓋墊片

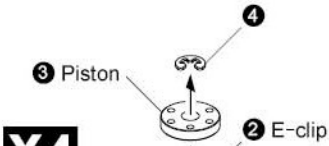


E-clip ×8
E形扣



M3×4 screw ×4
沉頭螺絲

STEP 1 Damper assembly
避震器組裝



X4
Make 4

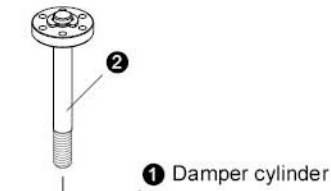


OIL

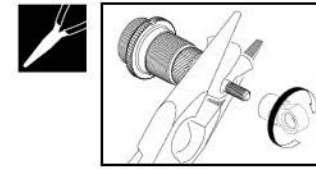
3 Damper O-ring

4 Rod guide

5 Rod guide cap



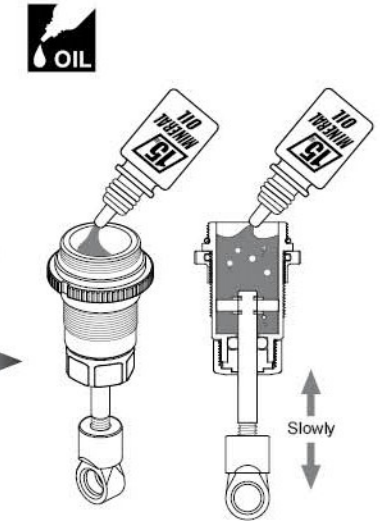
1 Damper cylinder



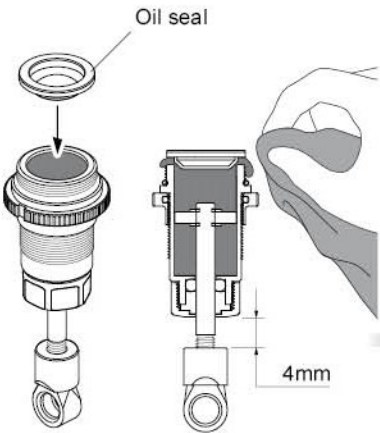
Damper adjuster



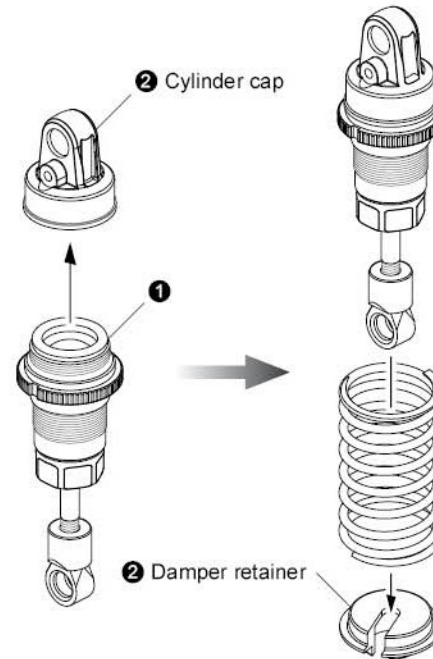
15 MINERAL OIL



Pull down piston and pour oil into cylinder.
Remove air bubbles by slowly moving piston up and down.
拉下活塞並填入避震油，緩慢上下移動活塞將氣泡移除。



Pull down piston rod 5mm, attach cylinder cap and absorb oil overflow with tissue paper.
將軸心下拉5mm後，蓋上避震器上蓋並以面紙拭去溢出的砂油。



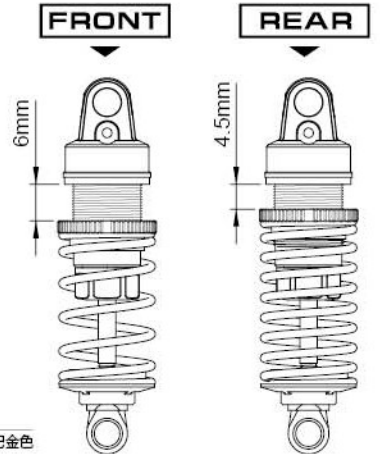
2 Cylinder cap

1

2 Damper retainer

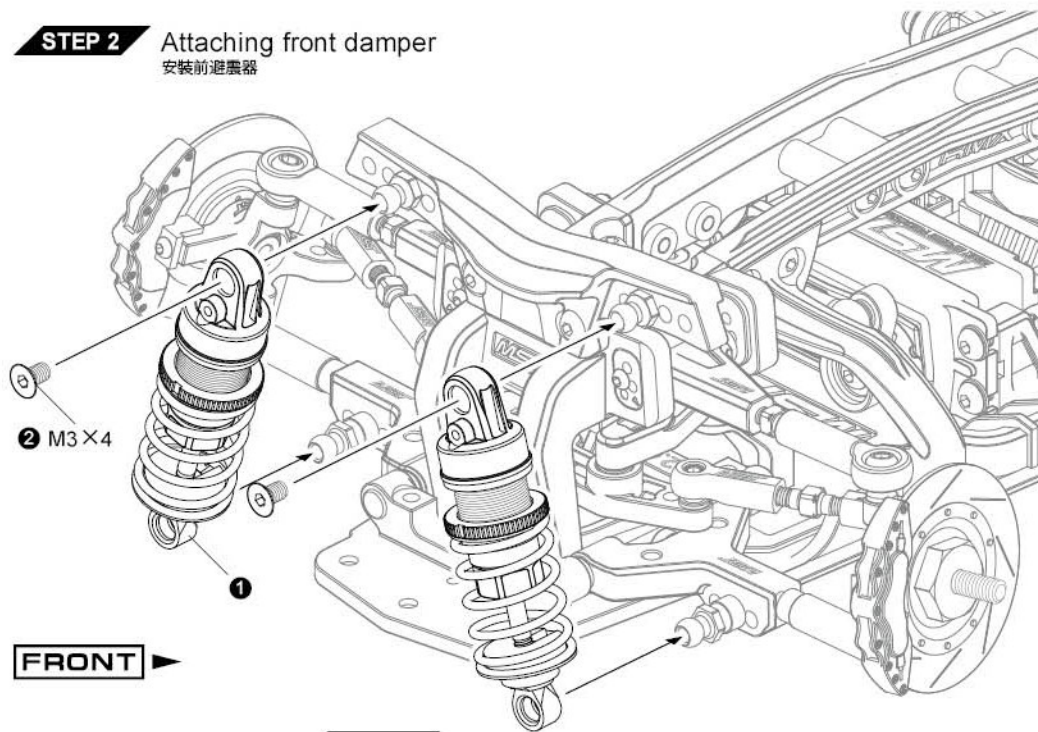
X4
Make 4

1 Shock spring
Front - Gold 前面裝配金色
Rear - Purple-red 後面裝配紫紅色

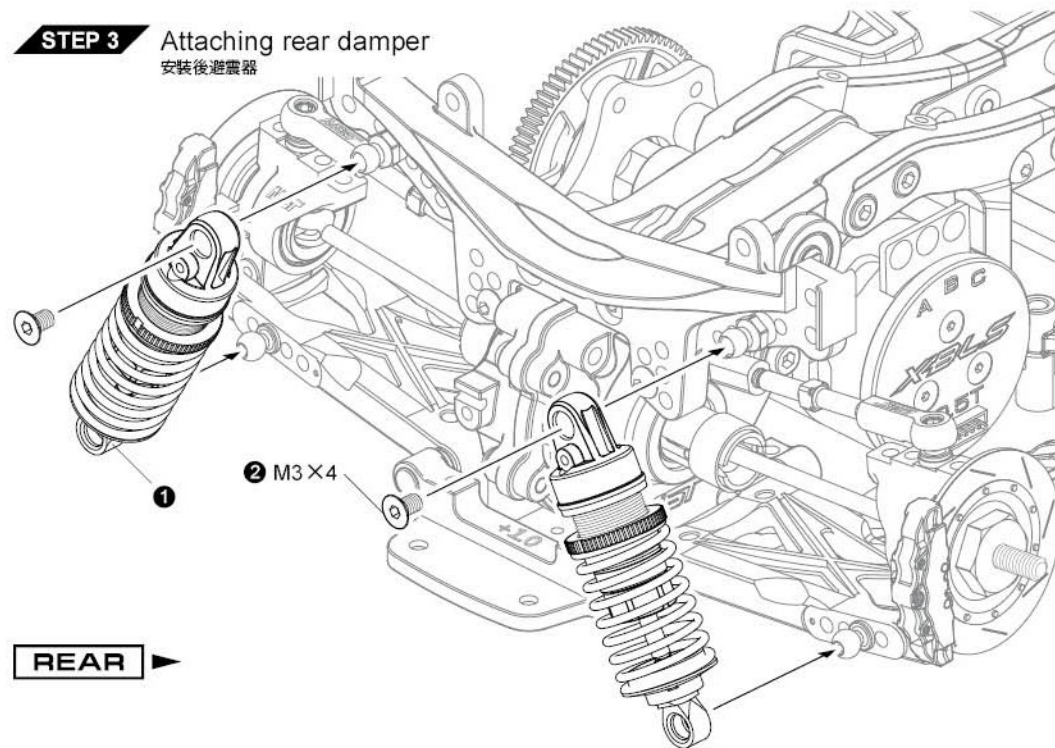


FRONT 6mm
REAR 4.5mm
※ The height of the shock absorber adjusting ring is for reference only! Please make 5mm as the actual vehicle height after installing the electric components completely.
避震器調整環預壓僅供參考！請安裝完整電裝後以實際車高5mm為準。

STEP 2 Attaching front damper
安裝前避震器



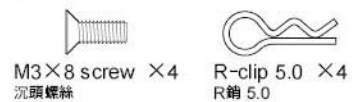
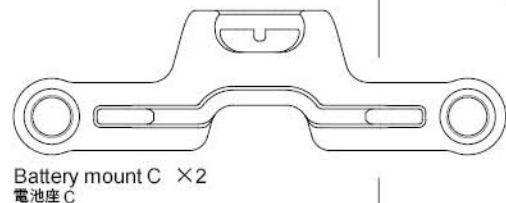
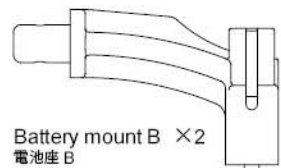
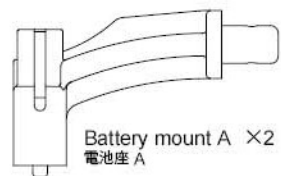
STEP 3 Attaching rear damper
安裝後避震器



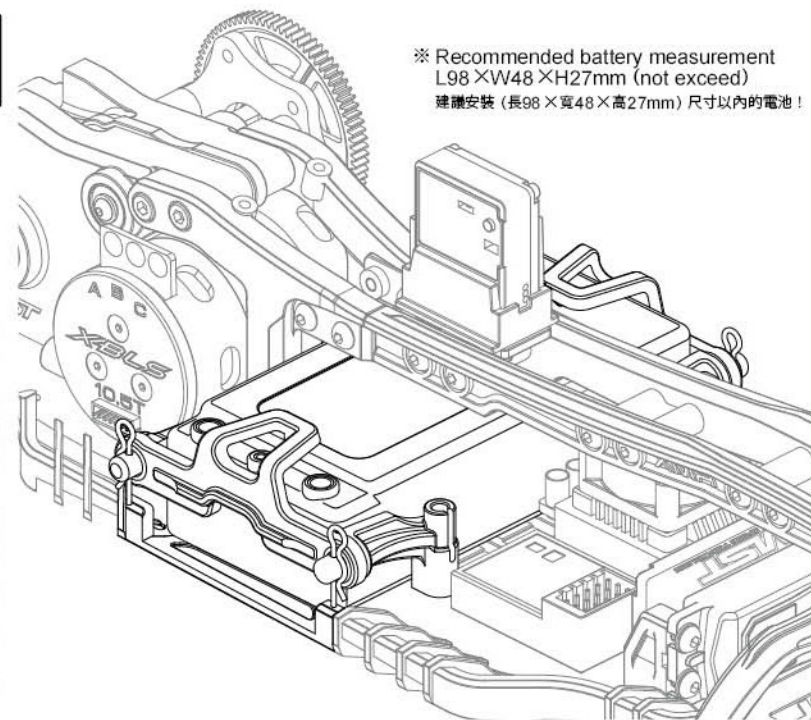
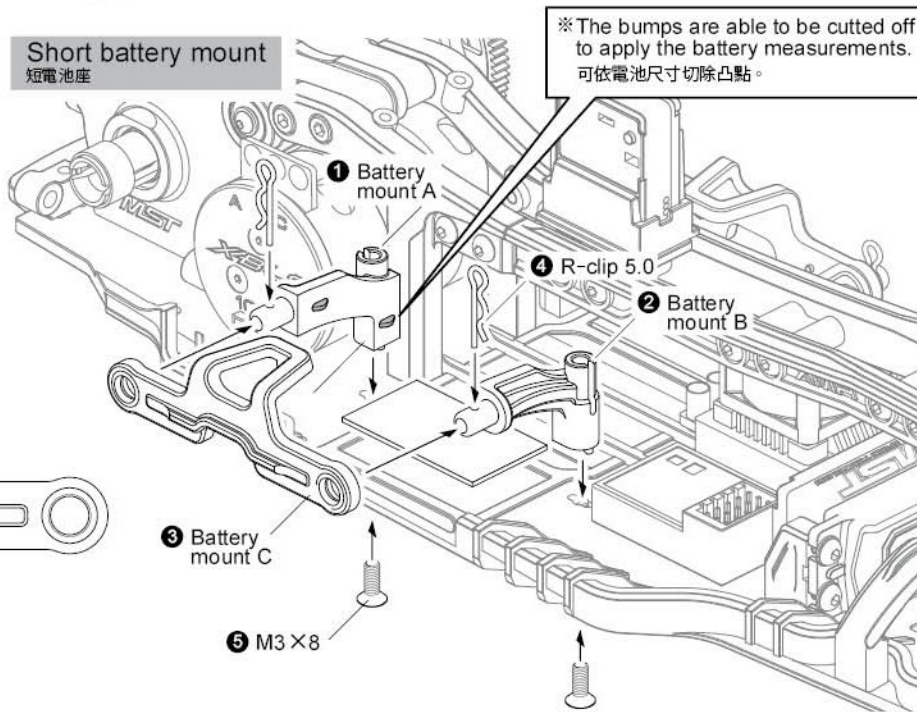
PARTS BAG

9

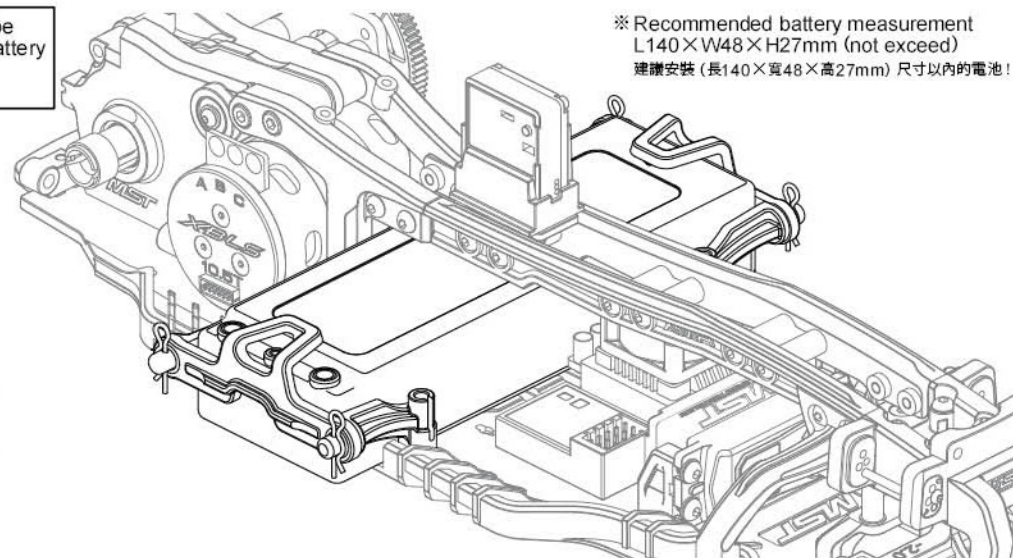
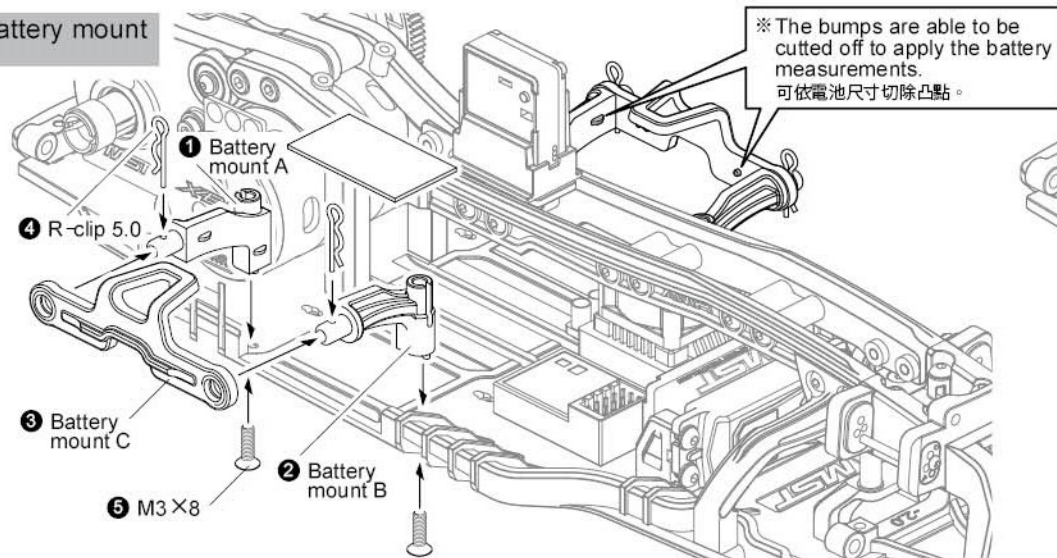
BATTERY MOUNT
電池座



Short battery mount
短電池座



Long battery mount
長電池座



PARTS WHEELS
輪胎



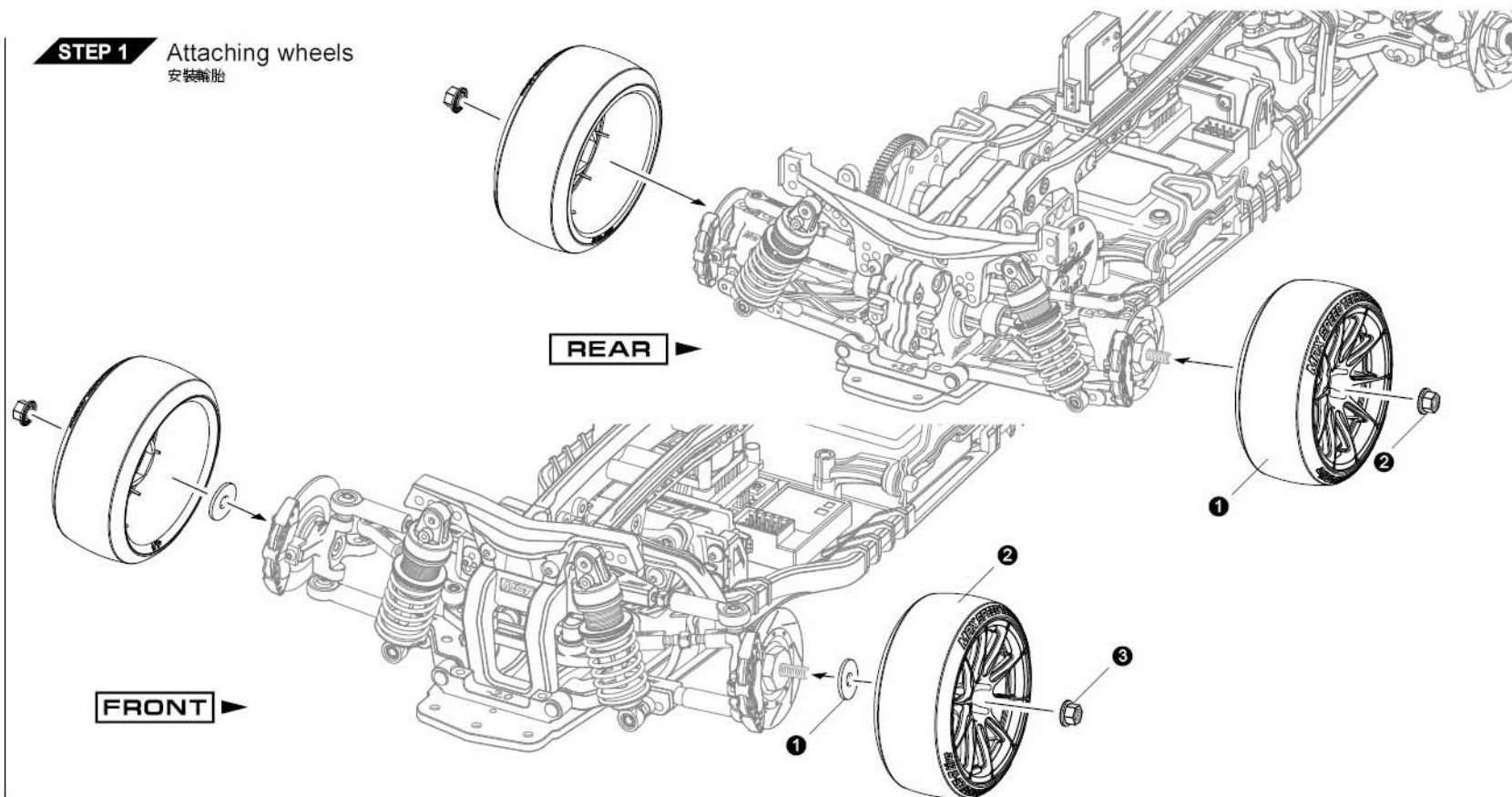
Flange nut M4 × 4
凸緣螺帽M4
(Tools bag)



Wheel hub spacer 1.0 × 2
輪座墊片 1.0
(Tools bag)



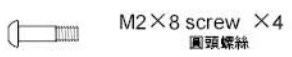
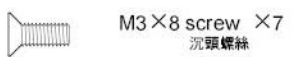
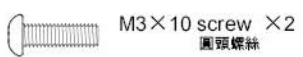
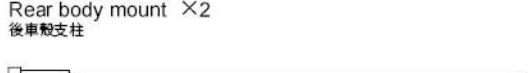
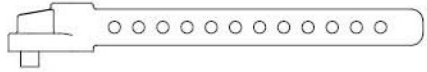
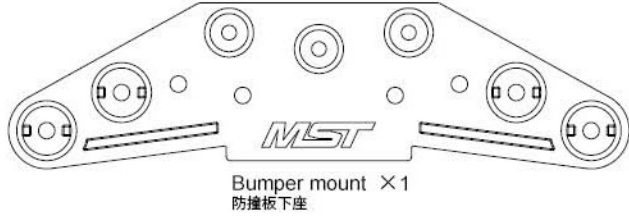
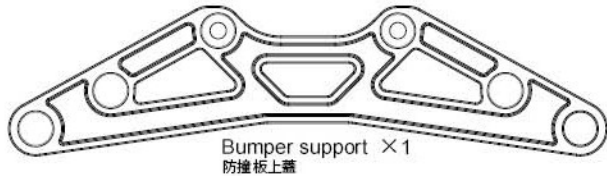
STEP 1 Attaching wheels
安裝輪胎



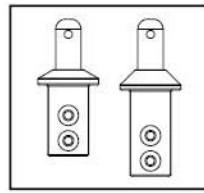
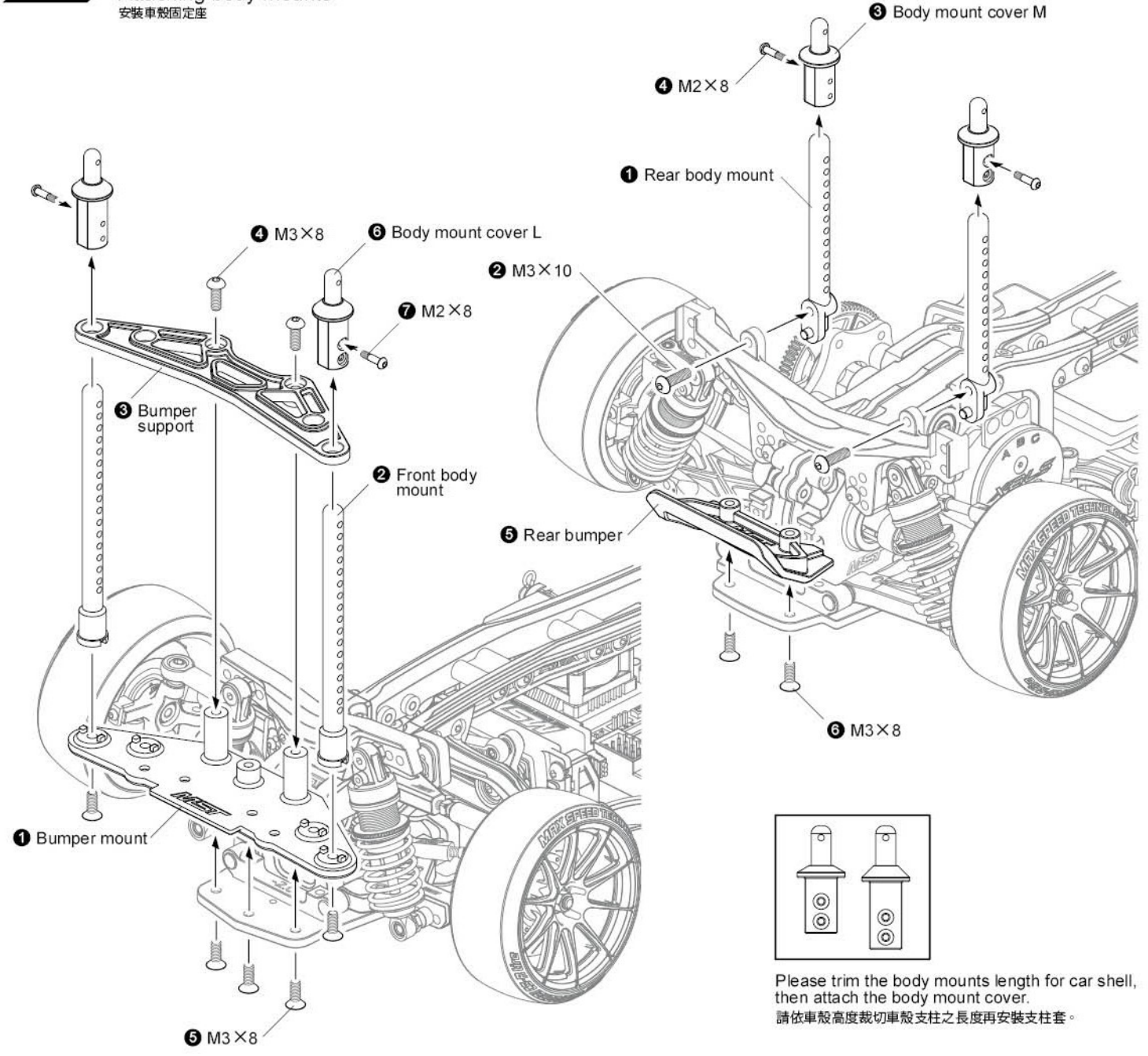
※ NOT including.
Please refer to MST website for the wheel & tire types.

胎框組須另購，詳情請見官網。

[www.rc-mst.com]



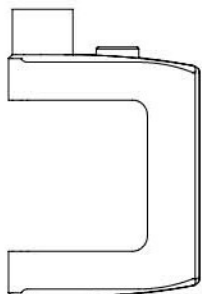
STEP 1 Attaching body mounts
安裝車殼固定座



Please trim the body mounts length for car shell, then attach the body mount cover.
請依車殼高度裁切車殼支柱之長度再安裝支柱套。

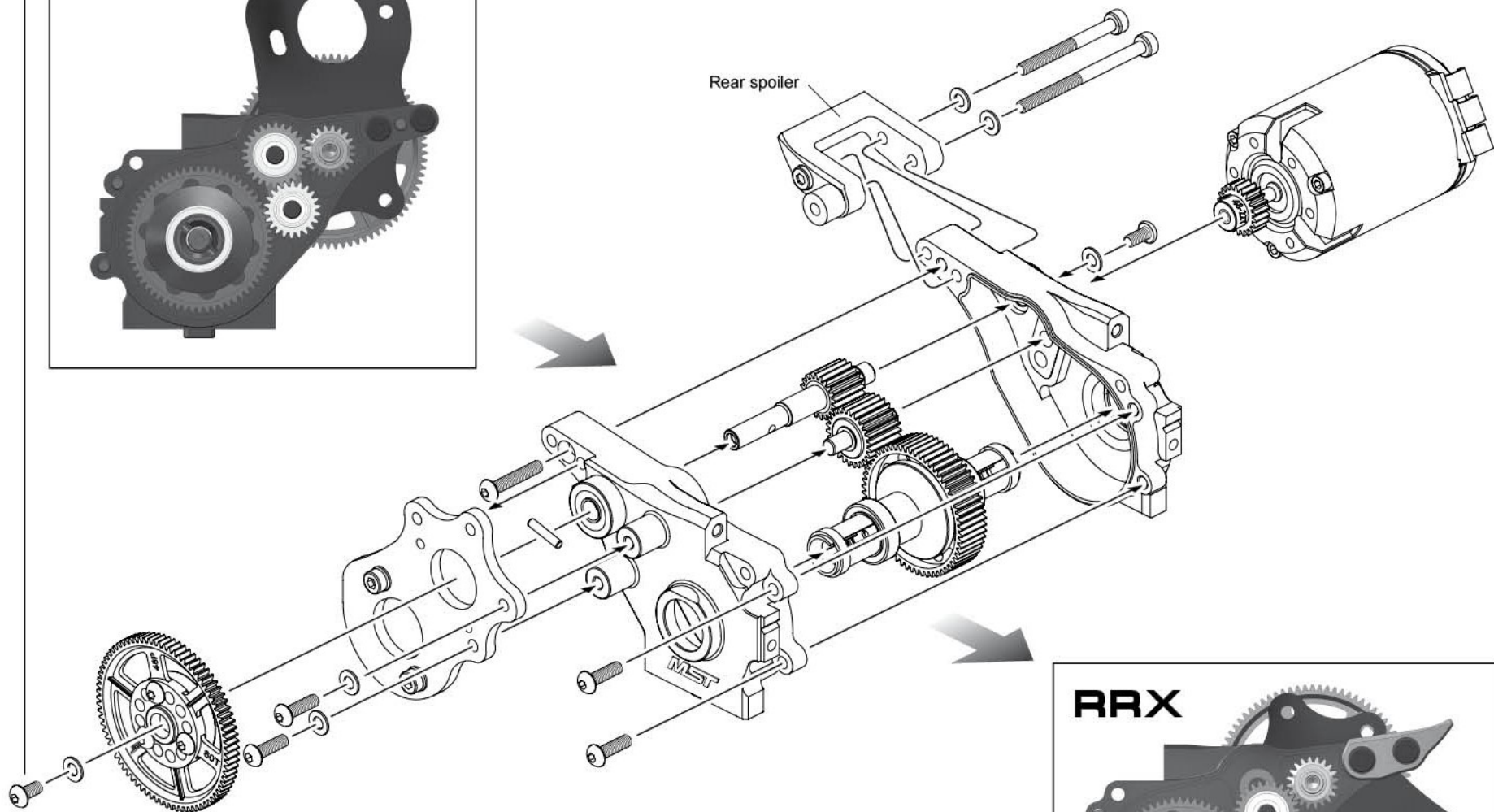
STEP 1 Attaching RRX drive system
安裝 RRX 驅動系統

RMX



Rear spoiler ×1
後擾流板

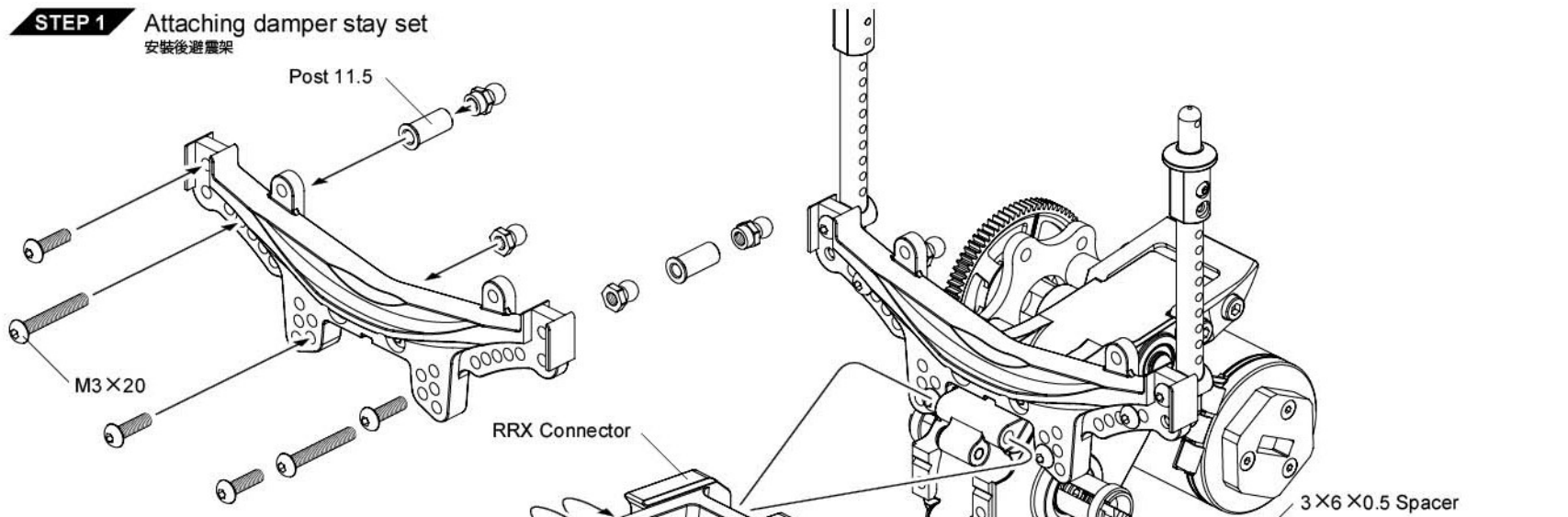
Rear spoiler



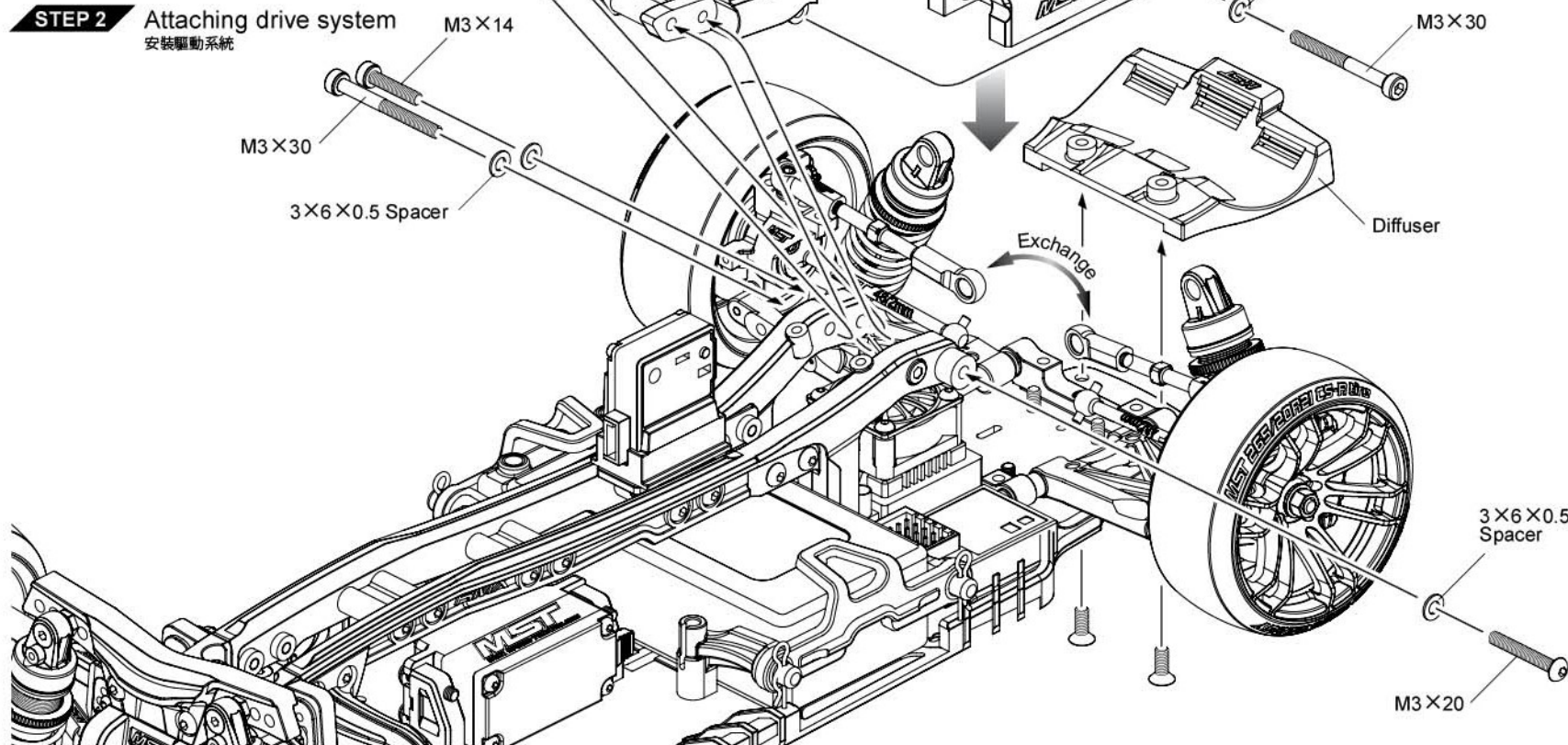
RRX



STEP 1 Attaching damper stay set
安裝後避震架



STEP 2 Attaching drive system
安裝驅動系統



Post 11.5 ×2
支柱 11.5

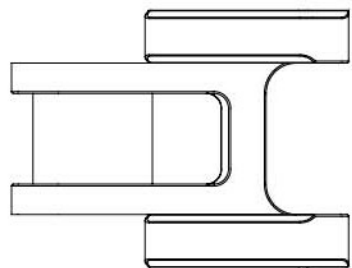
M3×20 Screw ×3
圓頭螺絲

M3×14 Cap screw ×1
六角有頭螺絲

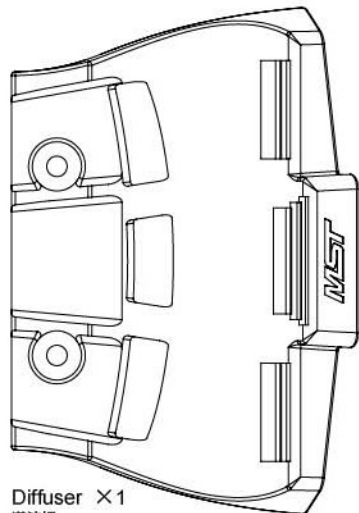
M3×30 Screw ×2
有頭螺絲(半牙)

M3×30 Screw ×2
有頭螺絲(半牙)

3×6×0.5 Spacer ×4
墊片

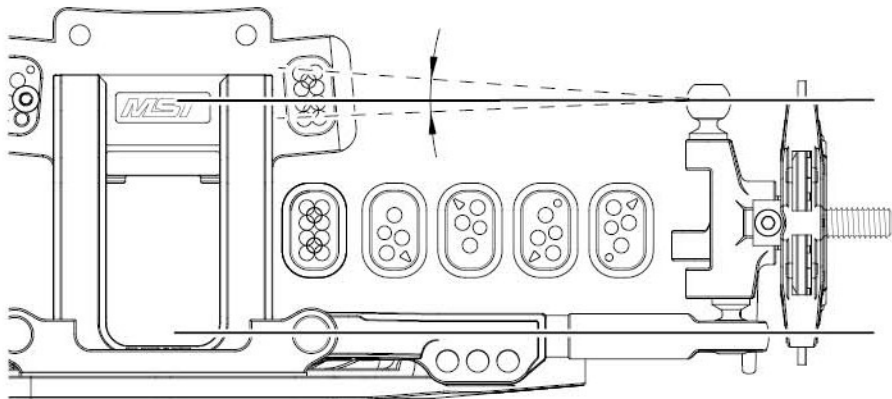


RRX Connector ×1
後置連結架



Diffuser ×1
導流板

STEP 1 Front upper arm setting
前上擺臂設定

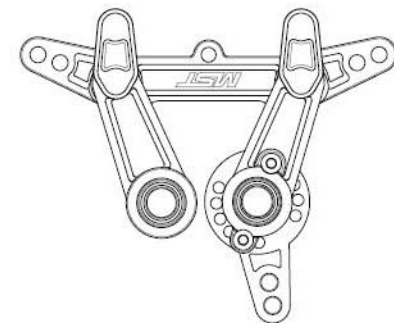


STEP 2 Steering setting
轉向設定

NORMAL
正裝



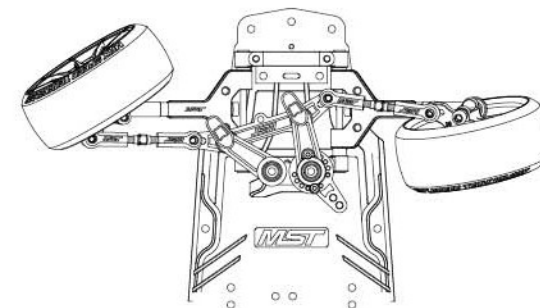
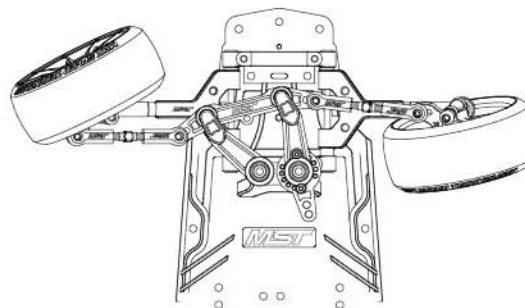
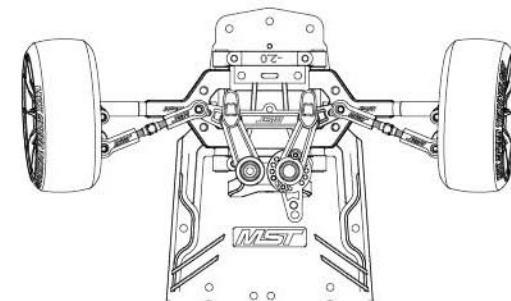
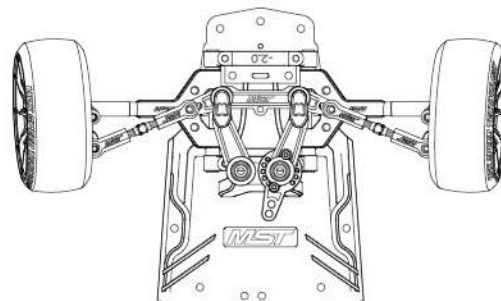
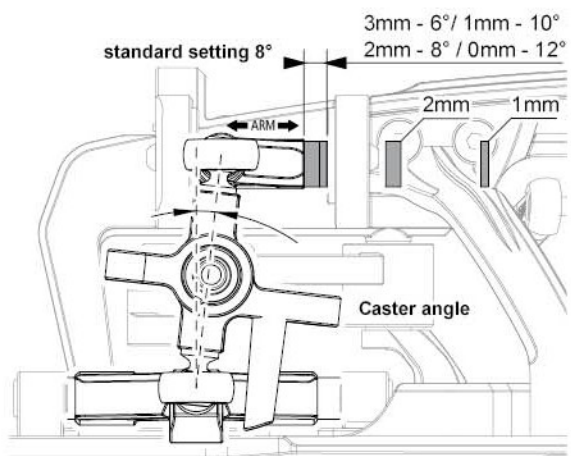
REVERSE
反裝



Shorten the steering arm stroke
縮短轉向搖臂行程

Extend the steering arm stroke
延長轉向搖臂行程

STEP 3 Rear caster angle setting
後傾角設定



DATE : _____ SURFACE : _____ NOTE : _____

TRACK : _____ GRIP : _____

Caster

- 6°
- 8°
- 10°
- 12°

Front wheel hubs

1 mm

Centered

RMX Motor LCG Mode

RRX Motor LCG Mode

RMX Motor HCG Mode

RRX Motor HCG Mode

FRONT **REAR**

Tire: _____

Wheel: _____

Offset: +5

Tire: _____

Wheel: _____

Offset: +5

Front damper stay

4 3 2 1

Rear damper stay

5 4 3 2 1

Front upright

Camber: 6°

Toe-out: 3.5°

Ride height: 5 mm

GROUND

Front upright

0 mm

0 mm

0 mm

Rear upright

Rear wheel hubs

0 mm

Rear upright

Camber: 2.5°

Toe-in: -3°

Ride height: 5 mm

GROUND

Front Suspension mount Rollcenter

-2.0

0.5 mm

0 mm

Steering

Rear Suspension mount Rollcenter

-2.0

0 mm

+1.0

0.5 mm

Front lower arm

3 2 1

Rear lower arm

1 2 3 4

Front damper

6 mm

64.5 mm

Rear damper

4.5 mm

64.5 mm

Spur Gear ÷ Pinion Gear × Reduction Gear = Gear ratio

80 T ÷ _____ T × _____ } = _____

Motor & ESC: _____ **Battery:** _____

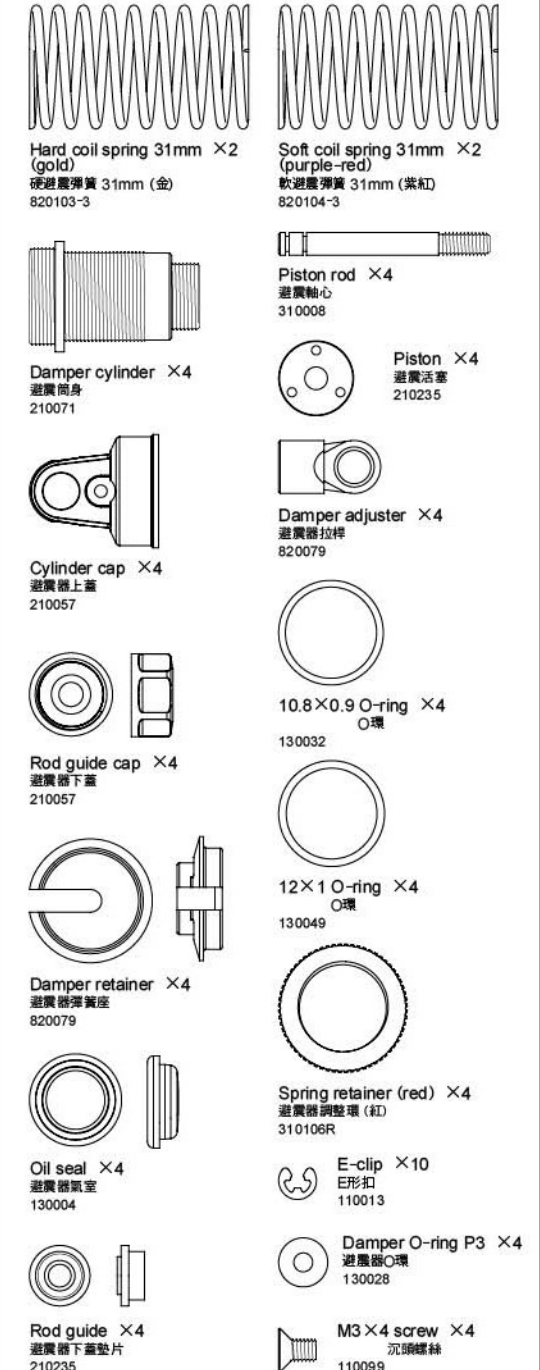
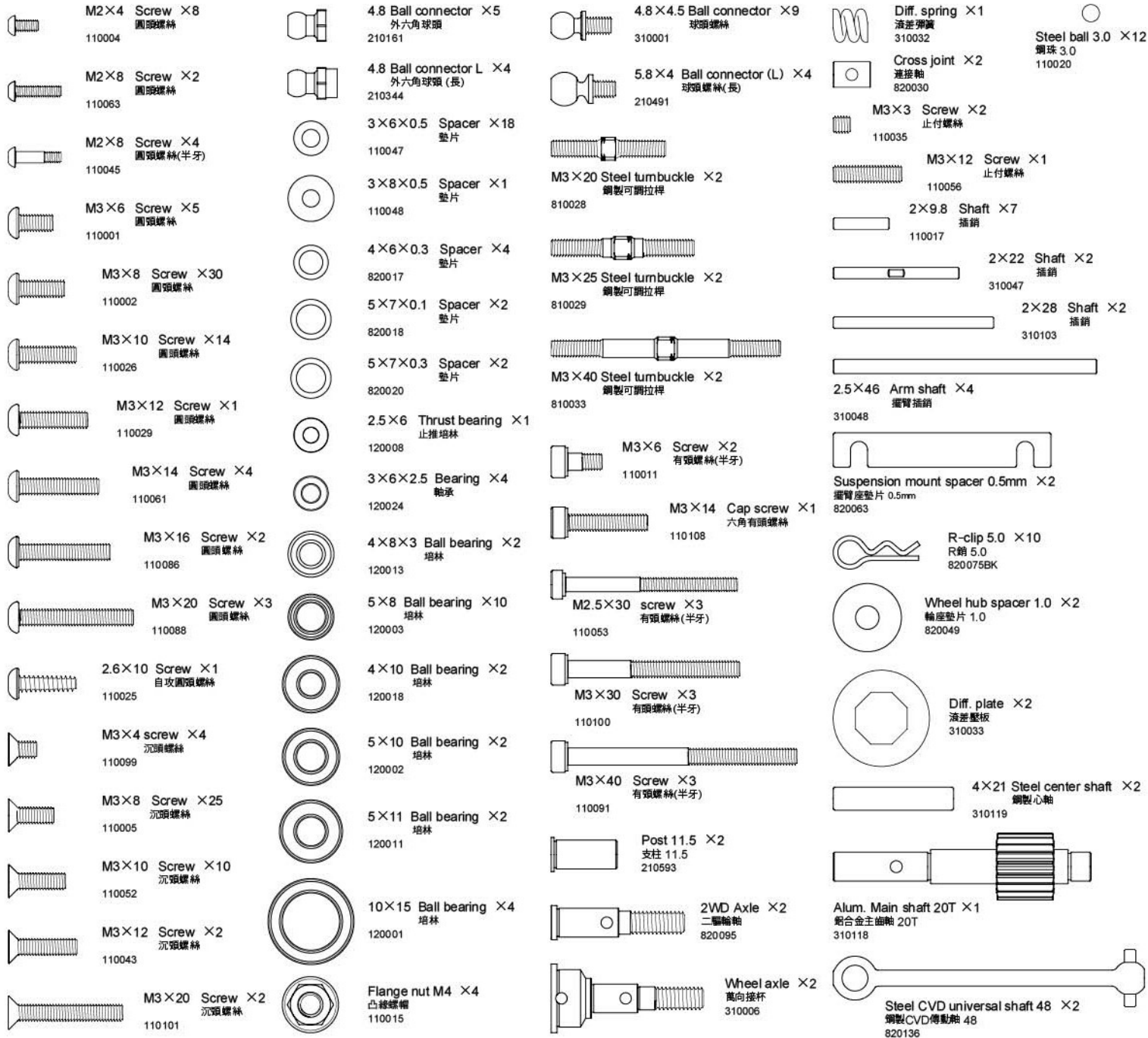
Transceiver: _____ **Gyro:** _____ **Sensitivity:** _____

Shock oil: #15 Spring color: Gold
 Spring: 31 mm Ø11 Piston: Ø12 mm Piston hole: 3

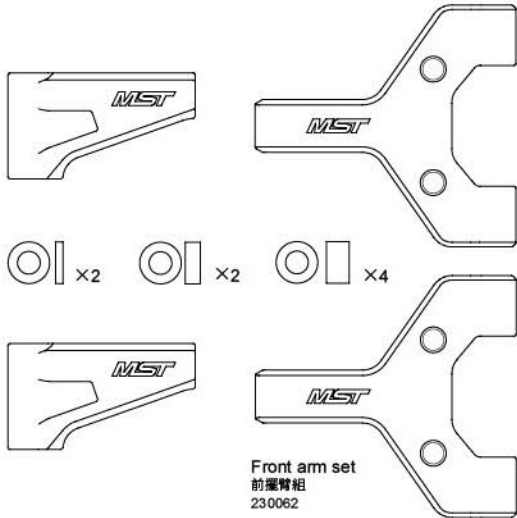
Shock oil: #15 Spring color: Purple-red
 Spring: 31 mm Ø11 Piston: Ø12 mm Piston hole: 3

* Please download the blank setup sheet at [www.rc-mst.com]

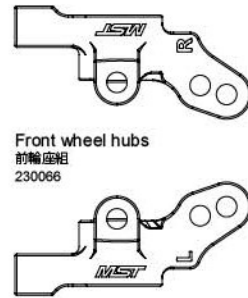
PARTS



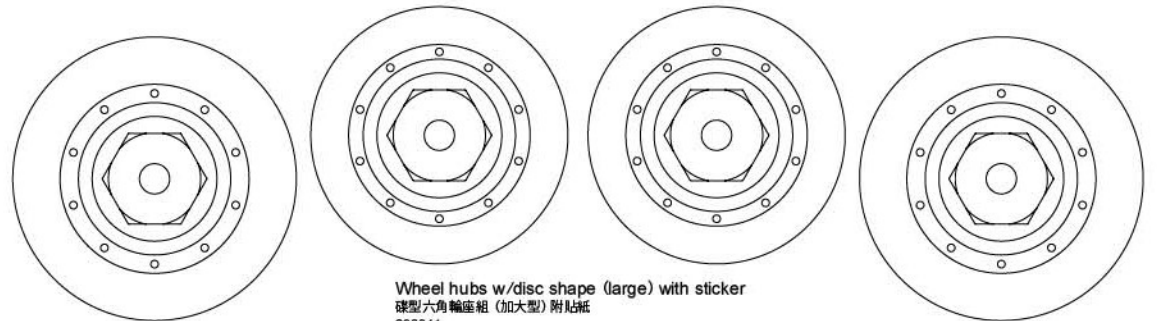
PARTS



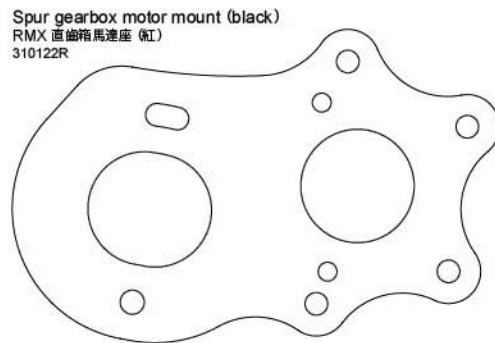
Front arm set
前擺臂組
230062



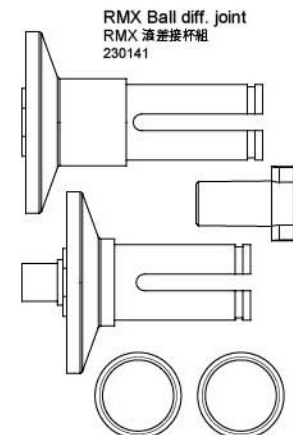
Front wheel hubs
前輪座組
230066



Wheel hubs w/disc shape (large) with sticker
碟型六角輪座組 (加大型) 附貼紙
230041

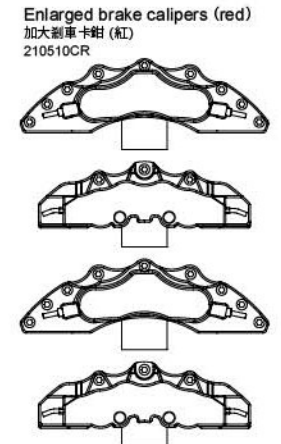
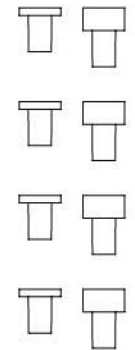


Spur gearbox motor mount (black)
RMX 直齒箱馬達座 (紅)
310122R

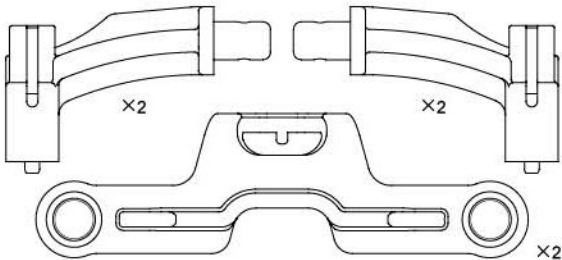


RMX Ball diff. joint
RMX 滾差接杆組
230141

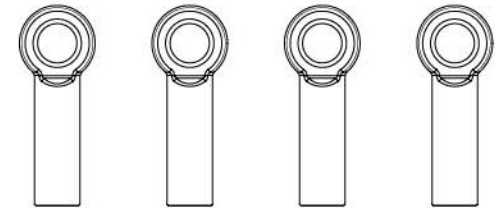
Shaft bush & spacer set (white)
襯套墊片組 (白)
210063(W)



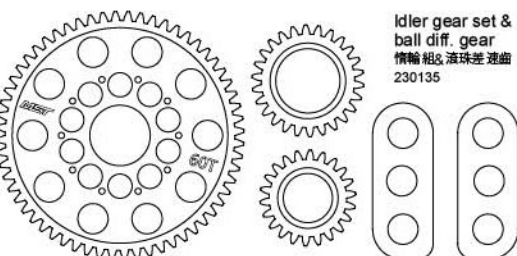
Enlarged brake calipers (red)
加大剎車卡鉗 (紅)
210510CR



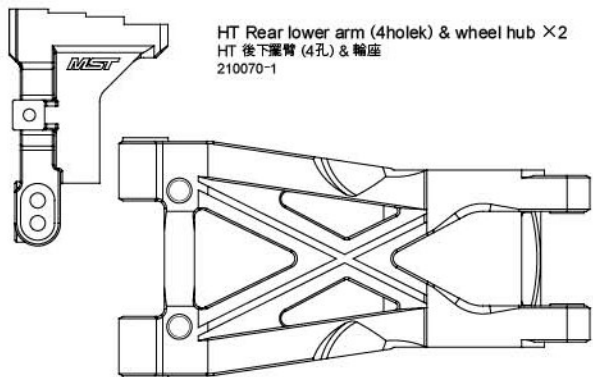
Battery holder set
電池座組
230060



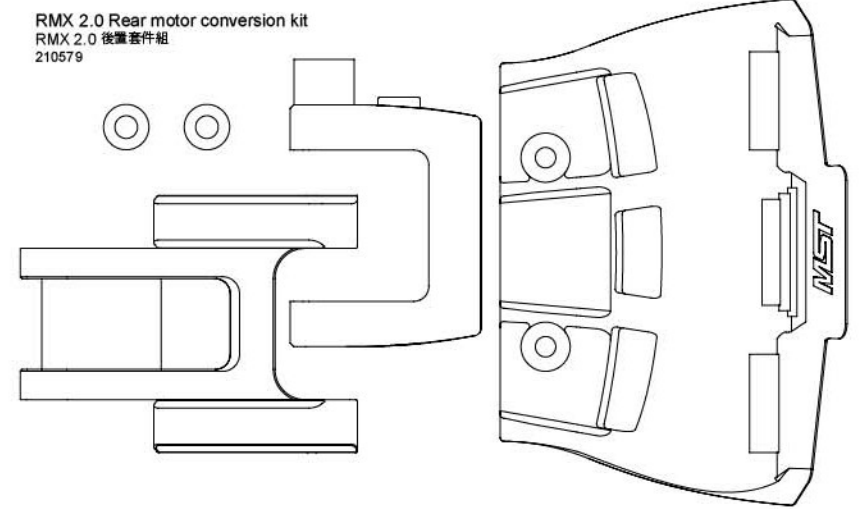
5.8x26 Reinforced adjuster set
強化拉桿頭組
210031



Idler gear set & ball diff. gear
惰輪組&滾珠差速齒
230135

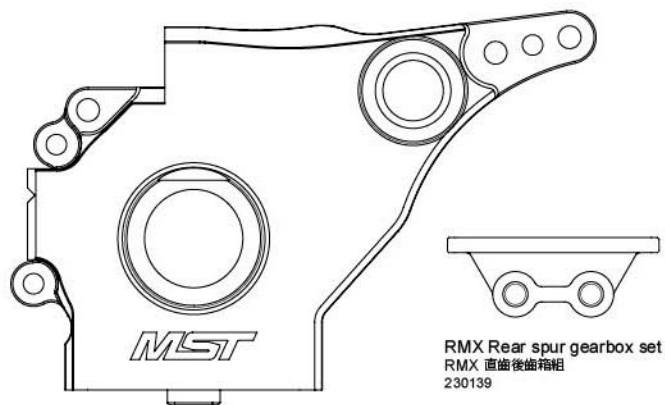


HT Rear lower arm (4hole) & wheel hub x2
HT 後下擺臂 (4孔) & 輪座
210070-1

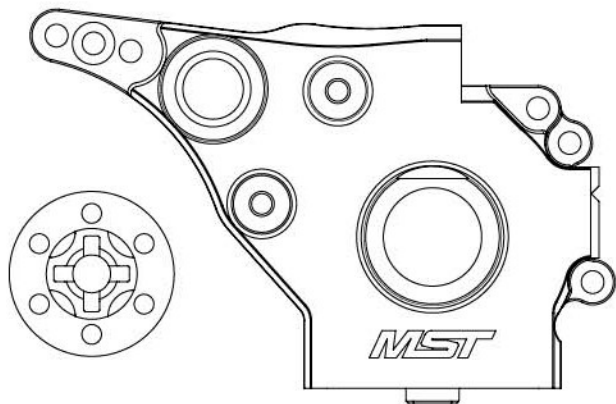


RMX 2.0 Rear motor conversion kit
RMX 2.0 後置套件組
210579

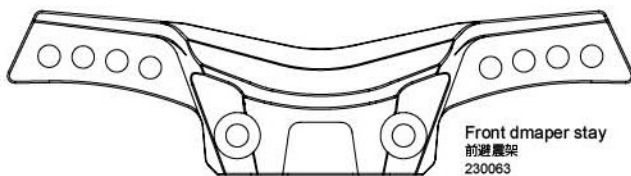
PARTS



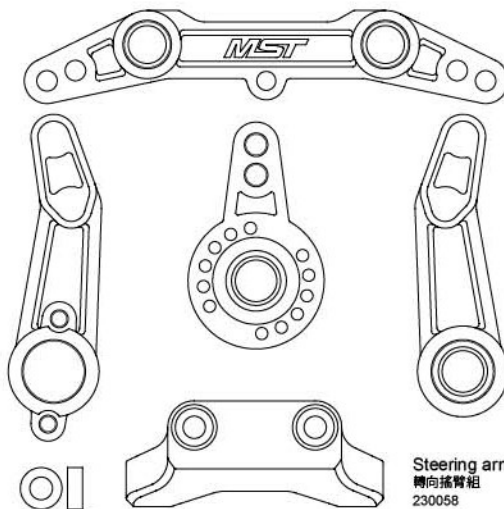
RMX Rear spur gearbox set
RMX 直齒後齒箱組
230139



4.8 Rod ends set (M/S) × 2
4.8 拉桿頭組 (M/S)
230067

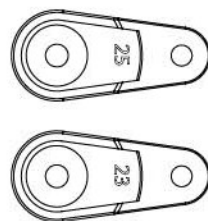
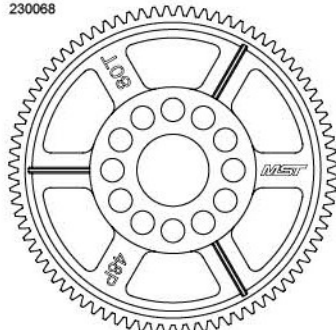


Front damper stay
前避震架
230063

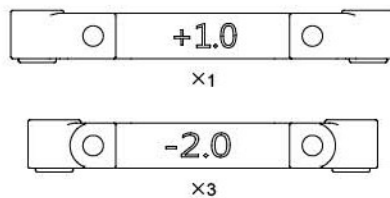


Steering arm set
轉向搖臂組
230058

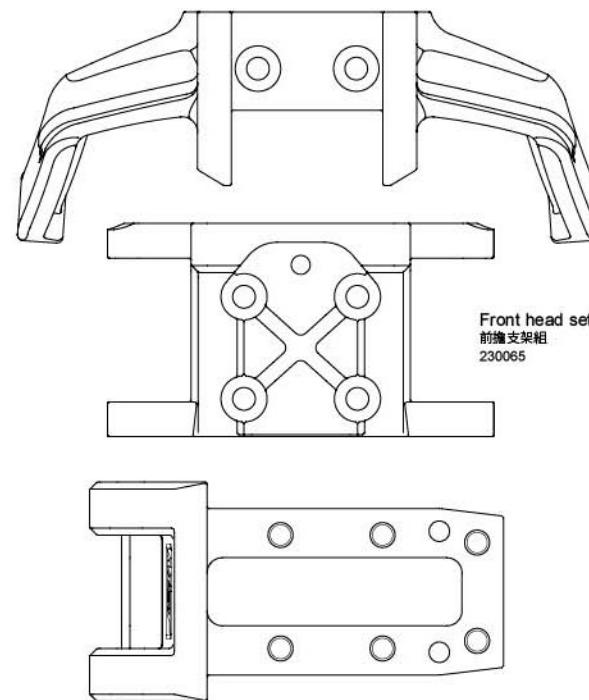
Spur gear 48P 80T
大直齒
230068



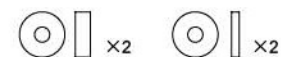
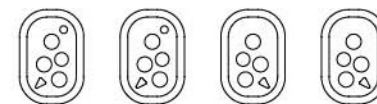
Servo horn set (23T/25T)
伺服機舵片組 (23T/25T)
210032



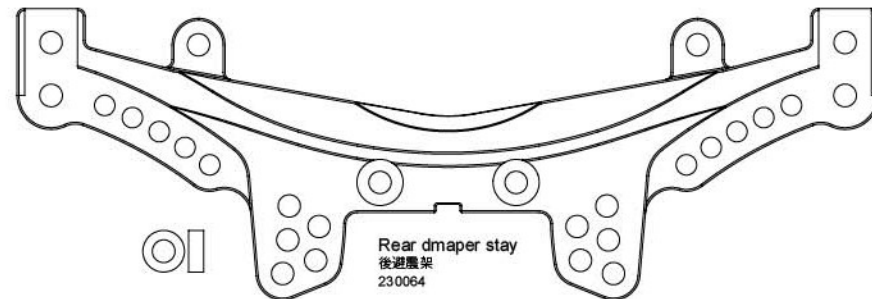
Suspension mount set (+1.0 / -2.0)
下擺臂座組 (+1.0 / -2.0)
230069



Front head set
前輪支架組
230065

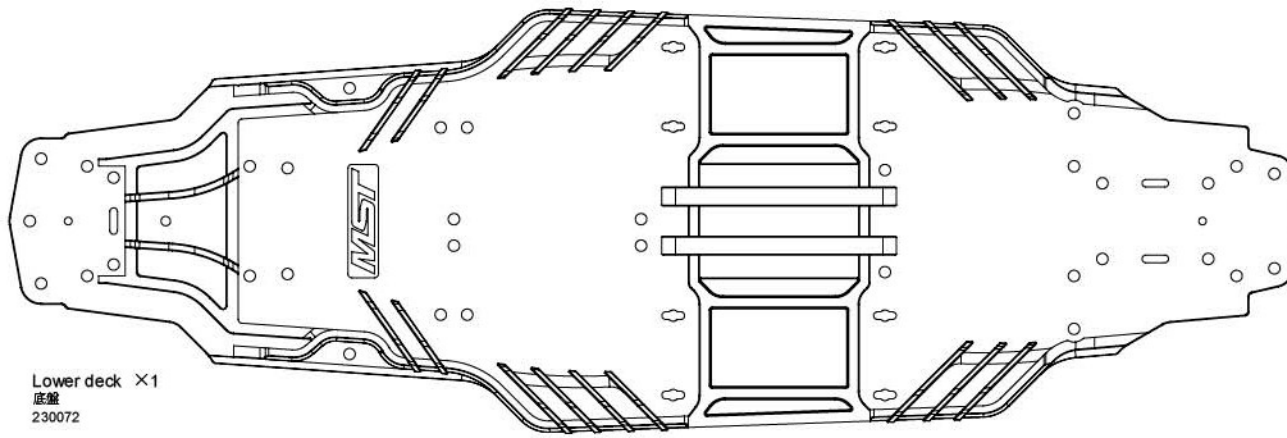


Shaft bush & spacer set
襯套墊片組
230070BK

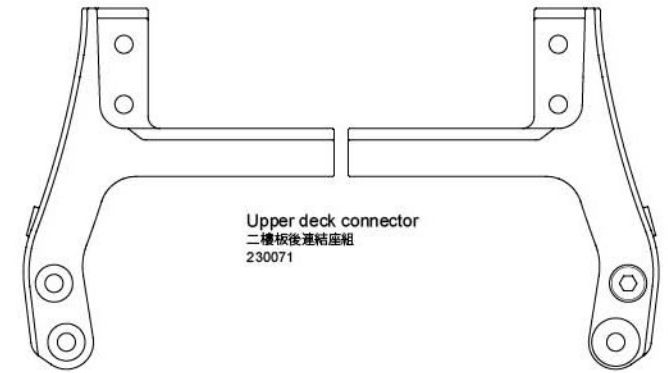


Rear damper stay
後避震架
230064

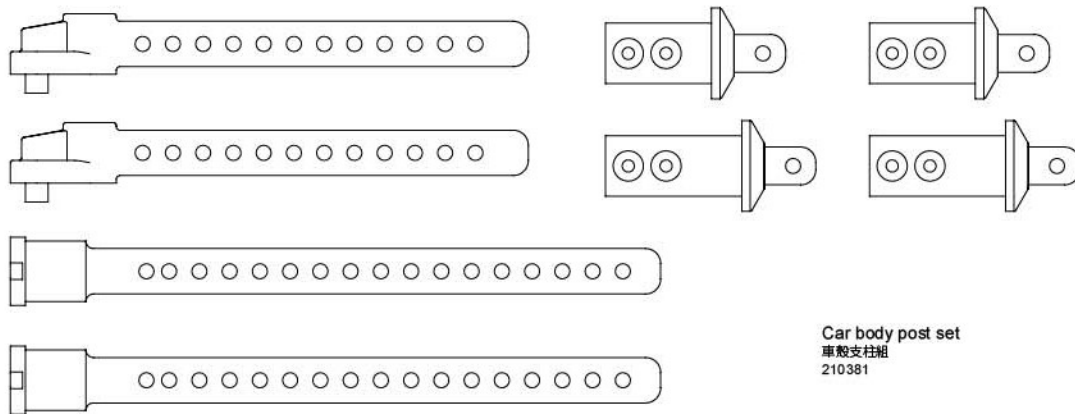
PARTS



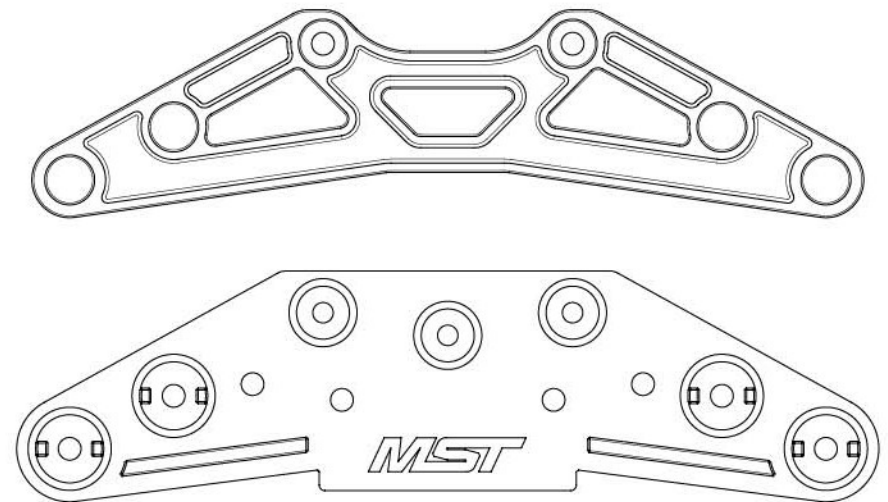
Lower deck ×1
底盤
230072



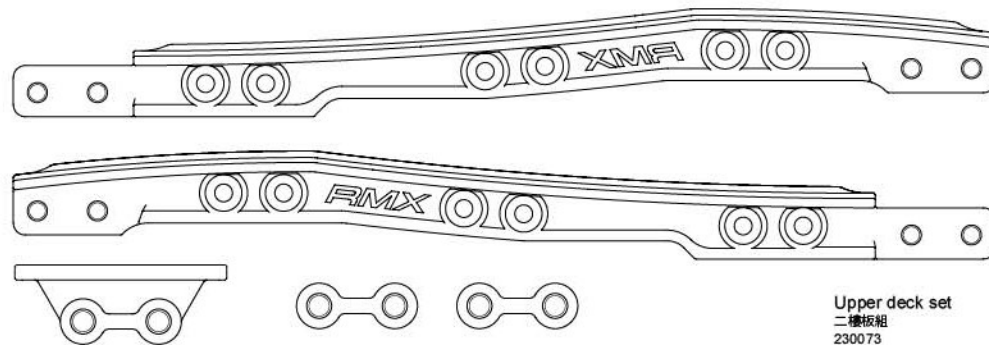
Upper deck connector
二樓板後連結座組
230071



Car body post set
車殼支柱組
210381



F & R Bumper set
前後防撞板組
230121



Upper deck set
二樓板組
230073

PARTS CODE

110001	Round head screw M3×6 (10)	110101	Countersunk screw M3×20 (6)	210344	Ball connector nut L 4.8 (4)	310008	Piston rod (4)
110002	Round head screw M3×8 (10)	110108	Cap screw M3×14 (6)	210381	Car body post set	310032	Diff. screw & spring set
110004	Round head screw M2×4 (6)	120001	Ball bearing 10×15 (4)	210491	Ball connector L 5.8×4 (4)	310033	Diff. plate (2)
110005	Countersunk screw M3×8 (10)	120002	Ball bearing 5×10 (4)	210510CR	Enlarged brake calipers (red) (4)	310047	Arm shaft 2.0×22 (2)
110011	Cap screw M3×6 (6)	120003	Ball bearing 5×8 (4)	210579	RMX 2.0 Rear motor conversion kit	310048	Arm shaft 2.5×46 (4)
110013	E-clip 2.0 (10)	120008	Thrust bearing 2.5×6	210593	Post 11.5 (2)	310103	Arm shaft 2×28 (2)
110015	Flange nut M4 (4)	120011	Ball bearing 5×11 (4)	220013	Mineral oil #15	310106R	Spring retainer (red) (2)
110017	Shaft 2×9.8 (10)	120013	Ball bearing 4×8×3 (2)	230041	Wheel hubs w/disc shape (large)	310118	Alum. main shaft 48P 20T
110020	Steel ball 3.0 (13)	120018	Ball bearing 4×10×4 (2)	230058	Steering arm set	310119	4×21 Steel center shaft (2)
110025	Tapping round head screw 2.6×10 (6)	120024	Bearing 3×6×2.5 (4)	230060	Battery mount	310122R	RMX Alum. spur gearbox motor mount (red)
110026	Round head screw M3×10 (10)	130004	Oil seal (4)	230062	Front arm set	810028	Steel reinforced turnbuckle 3×20 (2)
110029	Round head screw M3×12 (6)	130006	Double sided tape(5)	230063	Front damper stay	810029	Steel reinforced turnbuckle 3×25 (2)
110035	Set screw M3×3 (6)	130008	Black grease	230064	Rear damper stay	810033	Steel reinforced turnbuckle 3×40 (2)
110043	Countersunk screw M3×12 (10)	130028	Damper O-ring P3 (blue) (10)	230065	Front head set	820017	Spacer 4×6×0.3 (8)
110045	Round head screw M2×8 (partial thread) (6)	130032	Damper cap O-ring (10)	230066	Front wheel hubs	820018	Spacer 5×7×0.1 (8)
110047	Spacer 3×6×0.5 (8)	130034	Sponge 20×80×1 (4)	230067	4.8 Rod ends set (M/S)	820020	Spacer 5×7×0.3 (8)
110048	Spacer 3×8×0.5 (8)	130035	L Wrench set (1.5 & 2.0 & 2.5)	230068	Spur gear 48P-80T	820030	Cross joint (2)
110052	Countersunk screw M3×10 (10)	130036	Tools	230069	Suspension mount set (+1.0/-2.0)	820063	Suspension mount spacer 0.5mm (4)
110053	Cap screw M2.5×30 (2)	130040	Ball diff. grease	230070BK	Shaft bush & spacer set	820049	Wheel hub spacer 1.0 (4)
110056	Set screw M3×12 (6)	130049	O-ring 12×1 (4)	230071	Upper deck connector	820075	R-clip 5.0 (10)
110061	Round head screw M3×14 (6)	210031	Reinforced adjuster set 5.8×26	230072	Lower deck	820079	Damper plastic maintenance set (2)
110063	Round head screw M2×8 (6)	210032	Servo horn set (23T/25T)	230073	Upper deck set	820095	AKM 2WD axle (2)
110067	Set screw M2.5×2.5 (6)	210057	Damper cap set	230121	F & R Bumper set	820103	31mm Hard coil spring set (8)
110086	Round head screw M3×16 (6)	210063W	Shaft bush & spacer set (white)	230135	Idler gear set & ball diff. gear	820104	31mm Soft coil spring set (8)
110088	Round head screw M3×20 (6)	210070-1	HT Rear lower arm (4 holes) & wheel hub	230139	RMX Rear spur gearbox set	820136	Steel CVD universal shaft 48 (2)
110091	Cap screw M3×40 (6)	210071	Damper cylinder (2)	230141	RMX ball diff. joint (spur)		
110099	Countersunk screw M3×4 (10)	210161	Ball connector nut 4.8 (4)	310001	Ball connector 4.8×4.5 (5)		
110100	Cap screw M3×30 (6)	210235	Piston spacer set	310006	Wheel axle (2)		

部品編號

110001	六角半圓頭螺絲 M3×6 (10)	110101	六角沉頭螺絲 M3×20 (6)	210344	球頭螺帽 L 4.8 (4)	310008	避震軸心 (4)
110002	六角半圓頭螺絲 M3×8 (10)	110108	六角有頭螺絲 M3×14 (6)	210381	車殼支柱組	310032	滾差彈簧螺絲組
110004	六角半圓頭螺絲 M2×4 (6)	120001	培林 10×15 (4)	210491	球頭螺絲 L 5.8×4 (4)	310033	滾差壓板 (2)
110005	六角沉頭螺絲 M3×8 (10)	120002	培林 5×10 (4)	210510CR	加大煞車卡鉗 (紅) (4)	310047	擺臂插銷 2.0×22 (2)
110011	六角有頭螺絲 M3×6 (半牙) (6)	120003	培林 5×8 (4)	210579	RMX 2.0 後置套件組	310048	擺臂插銷 2.5×46 (4)
110013	E扣 2.0 (10)	120008	止推培林 2.5×6	210593	支柱 11.5 (2)	310103	擺臂插銷 2×28 (2)
110015	凸緣螺帽 M4 (4)	120011	培林 5×11 (4)	220013	礦物油 #15	310106R	避震調整環 (紅) (2)
110017	插銷 2×9.8 (10)	120013	培林 4×8×3 (2)	230041	碟型六角輪座組 (加大型)	310118	鋁合金主齒輪 48P 20T
110020	差速鋼珠 3.0 (13)	120018	培林 4×10×4 (2)	230058	轉向搖臂組	310119	4×21 鋼製心軸 (2)
110025	自攻六角半圓頭螺絲 2.6×10 (6)	120024	軸承 3×6×2.5 (4)	230060	電池座組	310122R	RMX 鋁合金直齒箱馬達座 (紅)
110026	六角半圓頭螺絲 M3×10 (10)	130004	避震氣室 (4)	230062	前擺臂組	810028	鋼製強化可調拉桿 3×20 (2)
110029	六角半圓頭螺絲 M3×12 (6)	130006	泡棉雙面膠 (5)	230063	前避震架	810029	鋼製強化可調拉桿 3×25 (2)
110035	六角止付螺絲 M3×3 (6)	130008	黑色油膏	230064	後避震架	810033	鋼製強化可調拉桿 3×40 (2)
110043	六角沉頭螺絲 M3×12 (10)	130028	阻尼器 O 環 P3 (藍) (10)	230065	前擔支架組	820017	墊片 4×6×0.3 (8)
110045	六角半圓頭螺絲 M2×8 (半牙) (6)	130032	避震上蓋 O 環 (10)	230066	前輪座組	820018	墊片 5×7×0.1 (8)
110047	墊片 3×6×0.5 (8)	130034	吸震泡棉 20×80×1 (4)	230067	4.8 拉桿頭組 (M/S)	820020	墊片 5×7×0.3 (8)
110048	墊片 3×8×0.5 (8)	130035	L 板手組 (1.5 & 2.0 & 2.5)	230068	大齒盤 48P-80T	820030	連接軸 (2)
110052	六角沉頭螺絲 M3×10 (10)	130036	工具包	230069	下擺臂座組 (+1.0/-2.0)	820063	擺臂座墊片 0.5mm (4)
110053	六角有頭螺絲 M2.5×30 (半牙) (2)	130040	滾珠差速油	230070BK	襯套墊片組	820049	輪座墊片 1.0 (4)
110056	六角止付螺絲 M3×12 (6)	130049	O 環 12×1 (4)	230071	二樓板後連桿座組	820075	R 銷 5.0 (10)
110061	六角半圓頭螺絲 M3×14 (6)	210031	強化拉桿頭組 5.8×26	230072	底盤	820079	避震膠件包 (2)
110063	六角半圓頭螺絲 M2×8 (6)	210032	伺服機舵片組 (23T/25T)	230073	二樓板組	820095	AKM 二驅輪軸 (2)
110067	六角止付螺絲 M2.5×2.5 (6)	210057	避震器上下蓋組	230121	二樓板後連桿組	820103	31mm 硬避震彈簧組 (8)
110086	六角半圓頭螺絲 M3×16 (6)	210063W	襯套墊片組 (白)	230135	惰輪組 & 滾珠差速齒	820104	31mm 軟避震彈簧組 (8)
110088	六角半圓頭螺絲 M3×20 (6)	210070-1	HT 後下擺臂 (4孔) & 輪座	230139	RMX 直齒式後齒箱組	820136	鋼製 CVD 傳動軸 48 (2)
110091	六角有頭螺絲 M3×40 (半牙) (6)	210071	避震器筒身 (2)	230141	RMX 滾差接杯組 (直齒用)		
110099	六角沉頭螺絲 M3×4 (10)	210161	球頭螺帽 4.8 (4)	310001	內六角公球頭 4.8×4.5 (5)		
110100	六角有頭螺絲 M3×30 (半牙) (6)	210235	避震器活塞墊片組	310006	萬向接杯 (2)		

026244