

MST

MAX SPEED TECHNOLOGY

SPECIFICATION

- WHEELBASE : 257mm
- HEX TO HEX WIDTH : F177 R173
- DRIVE MODE : RWD
- CASTER: adjustable 6 / 8 / 10 / 12 degree
- CAMBER: adjustable 0 to -12 degree
- FULL BALL BEARING
- HYDRAULIC DAMPER SET

Electrical components are excluded.

RMX 2.5 S

RRX

1/10 SCALE RC RWD HIGH PERFORMANCE DRIFT CAR

RWD NEW INNOVATIVE DRIFT CAR SERIES

The picture is for reference only, please make the object as the standard.
 圖片可能因印刷而有色差，請依實體商品為準。

FEATURES

- Newly designed rear spur-gear-driving the gearbox is able to switch the drive mode for RMX and RRX.
- Two install methods of motor mount - upper or lower gravity deployment.
- Two install methods of servo - vertical or lateral deployment.
- Plastic high rigidity constructions.
- New designed front great-steeringsuspension system.
- 6 degrees KPI steering upright, and -0.5 towing distance axle design.
- New designed inside rods fulcrum mount at the front upper arm is adjustable for for 10-step highness and both sides positions.
- NEW HT Short rear lower arm operability enhanced.
- The fulcrum at the rear suspension upper rods is 5-step adjustable on both sides. The outer fulcrum is 4-step adjustable on both sides.
- Steel CVD axle of rear transmission system.
- Suitable for long and short battery.
- Full great smooth metal ball connectors.
- Standard realistic caliper and disc shape brake set.
- Standard ball differential.
- Full turnbuckles.

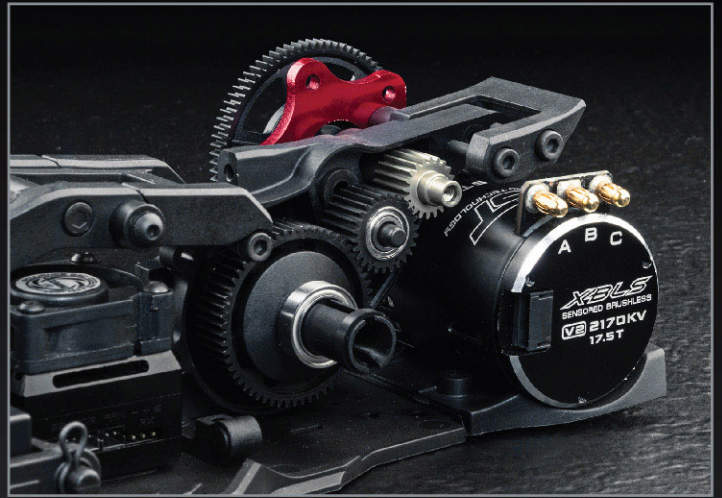
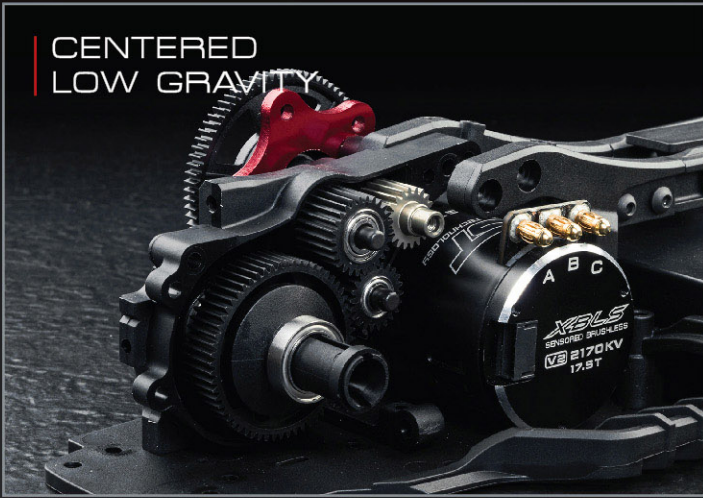
[facebook.com/MST.tw]
 [rc-mst.com]

RMX RRX 2.5S

1/10 SCALE RC RWD HIGH PERFORMANCE DRIFT CAR

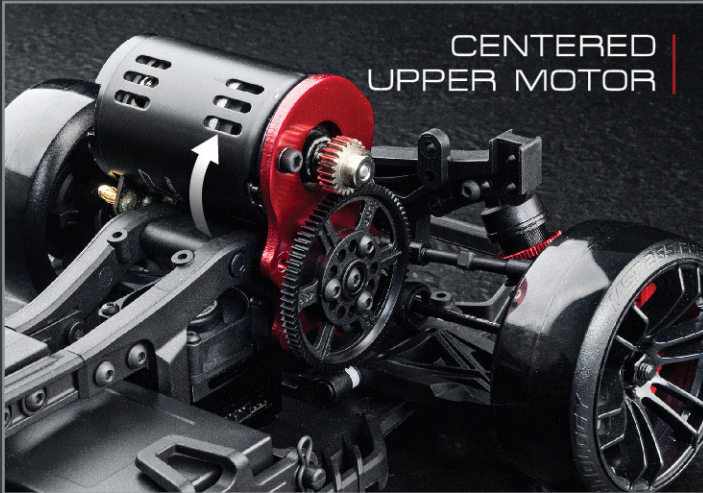
NEWLY DESIGNED REAR SPUR-GEAR-DRIVING THE GEAR-BOX IS ABLE TO SWITCH THE DRIVE MODE FOR RMX AND RRX

CENTERED
LOW GRAVITY



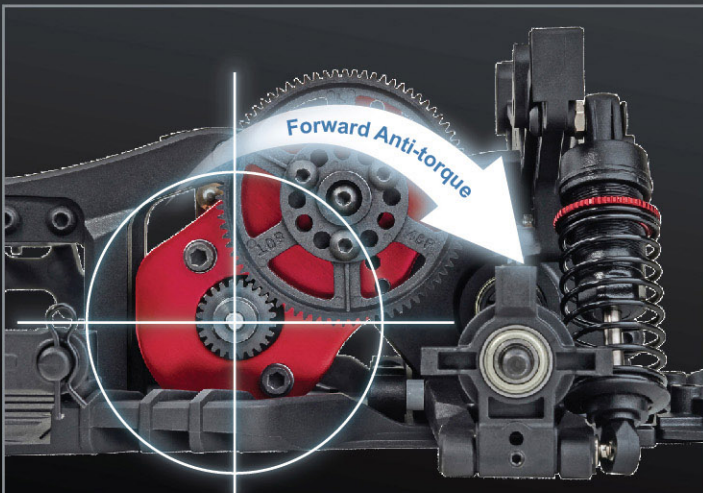
TWO INSTALL METHODS OF MOTOR MOUNT -
UPPER OR LOWER GRAVITY

CENTERED
UPPER MOTOR



REAR SHAFT
TRANSMITTING SYSTEM

It has the anti-torque configuration succeeded by RMX-D VIP design. To increase the acceleration force and lateral drifting stability by the anti-force of the motor running.



STANDARD REALISTIC CALIPER
AND DISC SHAPE BRAKE SET

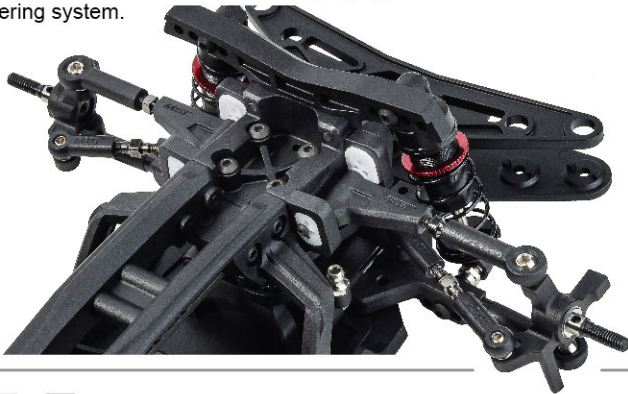


Please make the objects as the standard.
商品内容依實際包裝為主。

MST
MAX SPEED TECHNOLOGY

SUSPENSION SYSTEM

The specific front suspension for rear driving drift purpose is able to make larger steering angle and easier adjustment. The new plastic upright is the derivative of ATK upright. It is adjustable for large front steering angles. The towing distance setting upgrades the car straightforwardness and front tracking by application with the new steering system.



The redesigned inside rods fulcrum positions of the rear suspension system for 5 four-sides adjustable holes to adapt the different setting requests in the different curves and pavements.

NEW HT Short rear lower arm operability enhanced.



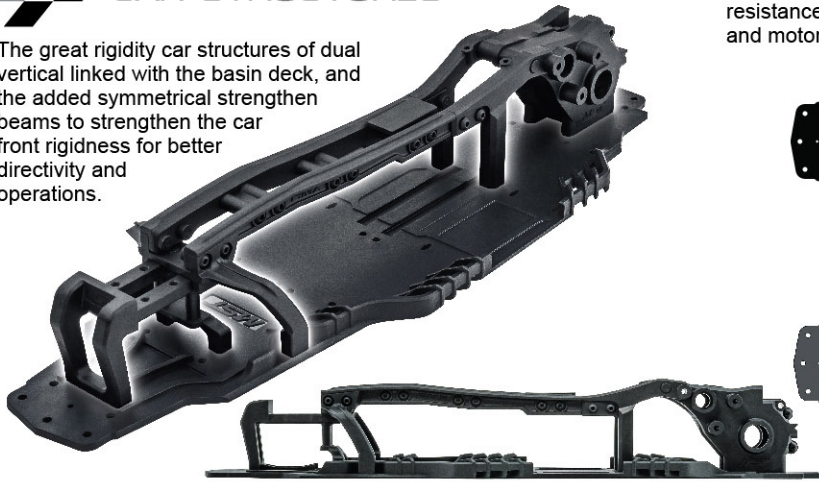
The new bolt fix mounts on the upper arm supports 10-steps bi-side adjustments by eccentric reversal the hole positions. The player will have more different adjusting ways.

10-STAGE ADJUSTABLE POSITIONS

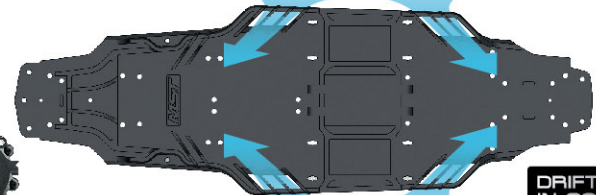
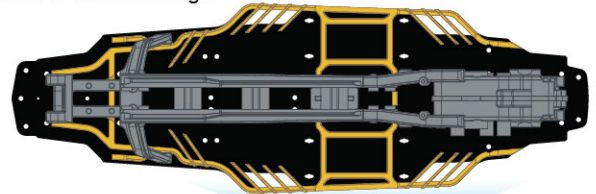


CAR STRUCTURES

The great rigidity car structures of dual vertical linked with the basin deck, and the added symmetrical strengthen beams to strengthen the car front rigidity for better directivity and operations.



Unique multiple strengthen beams basin deck is designed for impact resistance. The clever outlets on both sides guide the airflow to the ESC and motor in lateral drifting.



DRIFTING IN COURSE

BATTERY CONFIGURATION

Suitable for long and short battery.



LONG BATTERY INSTALLATION



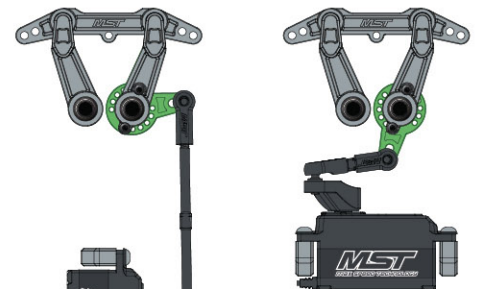
SHORT BATTERY INSTALLATION

STEERING SYSTEM

New steering system – the default ultra-large-angle setting is able to make larger drifting steering, and lets beginners easily control this rear drift car.



Two installing ways for servo. The car gravity distribution is adjustable by changing the servo positions.



※ Please purchase 210218 Alum. turnbuckle 3×68 additionally.



MST facebook MST website MST Owners Club

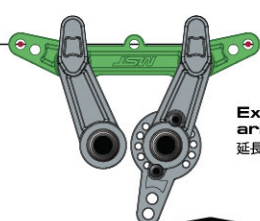
WWW.RC-MST.COM

NORMAL
正裝

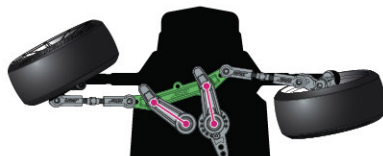
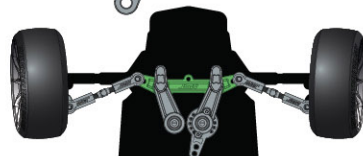
REVERSE
反裝



Shorten the steering arm stroke
縮短轉向搖臂行程



Extend the steering arm stroke
延長轉向搖臂行程



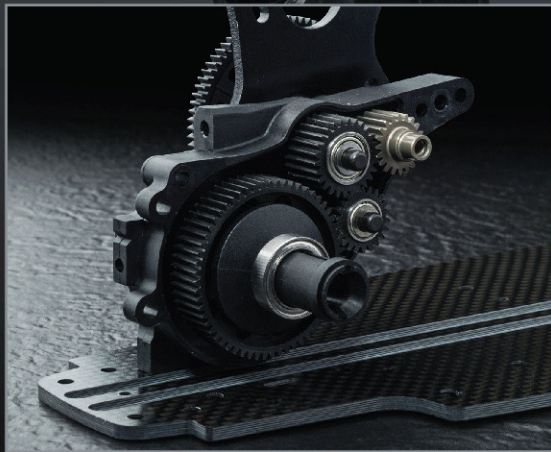
RMX 2.5 RS

1 / 10 SCALE RC RWD HIGH PERFORMANCE DRIFT CAR



- Newly designed rear spur-gear-driving the gearbox is able to switch the drive mode for RMX and RRS
- Newly designed RMX 2.5 RS dedicated carbon deck 2.5mm
- New-designed carbon upper deck
- Newly designed aluminum shock absorber with adjustable length
- Front & rear lightweight carbon damper stay
- Full aluminum suspensionmount (front -2.0 / rear +0.5)
- RMX 2.5 RS dedicated carbon quick-release battery holder
- Equipped with MB rear suspension
- NS servo saver arm
- Two install methods of motor mount - upper or lower gravity deployment
- Two install methods of servo - vertical or lateral deployment
- The adjustable steering system for two-step Ackermann changes
- 6 degrees KPI steering upright, and -0.5 towing distance axle design
- New designed inside rods fulcrum mount at the front upper arm is adjustable for 10-step highness and both sides positions
- Standard ball differential
- Steel CVD axle of rear transmission system
- Standard realistic caliper and disc shape brake set

LIGHT



SPECIFICATION

- WHEELBASE : 257mm (adjustable +3mm)
- HEX TO HEX WIDTH : F178 R171
- DRIVE MODE : RWD
- CASTER: adjustable 6 / 8 / 10 / 12 degree
- CAMBER: adjustable 0 to -12 degree
- FULL BALL BEARING
- HYDRAULIC DAMPER SET

[facebook.com/MST.tw]
[rc-mst.com]

MST specially designs the RMX 2.5 RS for lightweight and performance settings. The players can have excellent settings and drive it immediately after the finish of assembly according to the instructions. The RMX 2.5 RS comes with a high-hardness plastic spur gearbox, also support RMX/RRS driving mode conversions.

MST

MAX SPEED TECHNOLOGY

2022 01

024162

GEARBOX

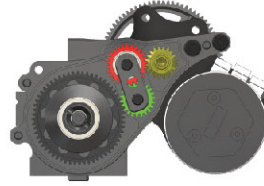
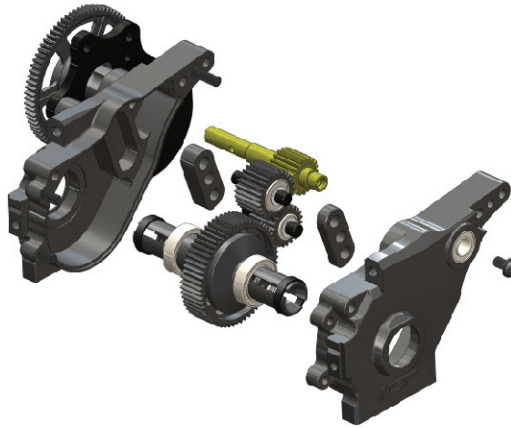
Newly designed rear spur-gear-driving the gearbox is able to switch the drive mode for RMX and RRX



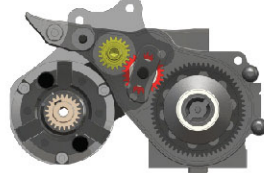
RMX 2.5 RS

1 / 10 SCALE RC RWD HIGH PERFORMANCE DRIFT CAR

RMX GEAR MODE *2-position motor center of gravity*

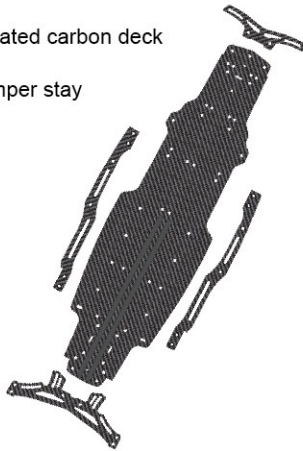


RRX GEAR MODE



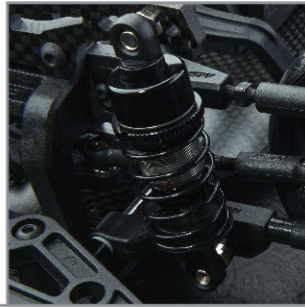
CARBON DECK

Newly designed RMX 2.5 RS dedicated carbon deck
New-designed carbon upper deck
Front & rear lightweight carbon damper stay

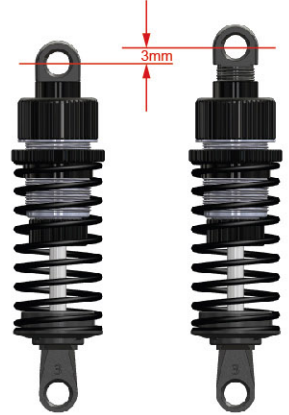


ALUMINUM SHOCK

Newly designed aluminum shock absorber with adjustable length

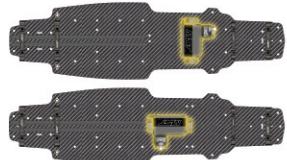


Adjustable for 0-3mm

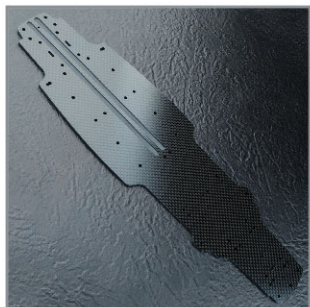
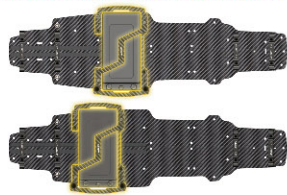


SERVO BATTERY

2 different center of gravity settings to servo installation positions.

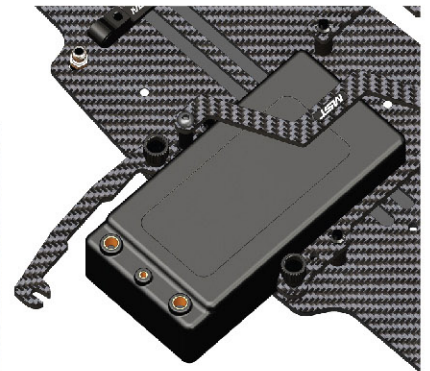
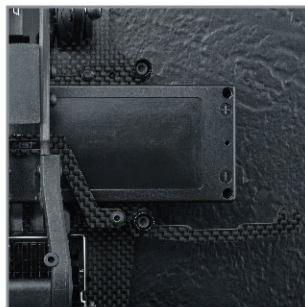


2 different center of gravity settings to the battery installation positions.



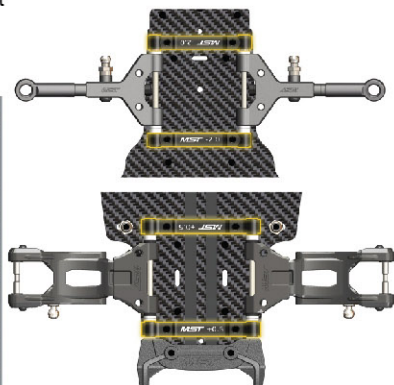
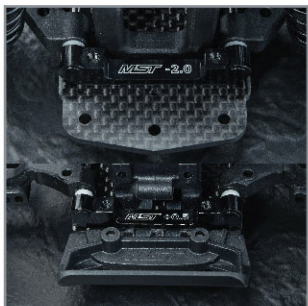
BATTERY HOLDER

RMX 2.5 RS dedicated carbon deck-release battery holder



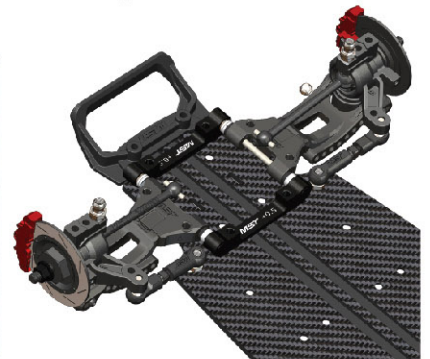
SUSPENSIONMOUNT

Full aluminum suspensionmount
(front -2.0 / rear +0.5)



EQUIPPED WITH MB REAR SUSPENSION

The rich adjustment mechanism can use the change of gravity on the corner by the body side tilt for the rear wheel steering, and to increase or decrease the tail slip force.





OPTION PARTS

改裝品

310050



Ball connector 4.8x6 (5)
內六角公球頭 4.8x6 (5)

210160



Ball connector 5.8x6 (4)
球頭螺絲 5.8x6 (4)

820050R P S BK B



Alum. damper retainer (red) (4)
鋁合金彈簧座 (紅) (4)

820046R P S BK B



Alum. damper retainer (lower type) (4) (red)
鋁合金彈簧座 (降低型) (4) (紅)

820137R BK



Required for 210649
需搭配 210649

Short adjustable alum. suspension mount (-3.5~-5.0) (red)
短型可調式鋁合金擺臂座 (-3.5~-5.0) (紅)

820129R BK



Alum. suspension mount (-2.0) (red)
鋁合金擺臂座 (-2.0) (紅)

820037R BK



Alum. suspension mount (+0.5) (red)
鋁合金擺臂座 (+0.5) (紅)

820058R BK



Adjustable alum. suspension mount (+1.5~+3.0) (red)
可調式鋁合金擺臂座 (+1.5~+3.0) (紅)

820143R BK



Adjustable alum. suspension mount (+3.5~+5.0) (red)
可調式鋁合金擺臂座 (+3.5~+5.0) (紅)

210576R BK



RMX 2.0 S Alum. suspension mount set (red)
RMX 2.0 S 全車鋁合金下擺臂座 (紅)

820139



Alum. Lightweight 2WD axle (2)
輕量化鋁合金二驅輪軸 (2)

210594



MB Rear suspension kit
MB 後懸吊套件

- R Red 紅
- P Purple 紫
- S Silver 銀
- BK Black 黑
- B Blue 藍

UPGRADE OPTIONS

改裝套件

Full option parts let players to upgrade car according to their necessary and enjoy the fun in upgrading.

豐富完整的升級套件，讓玩家充分享受改裝及升級的樂趣。

820063R P S BK B



Suspension mount spacer 0.5mm (4) (red)
擺臂座墊片0.5mm (4) (紅)

820117R BK



Alum. front lower arm set (red)
鋁合金前下擺臂組 (紅)

820047



MST Balancing weights 3.5g (4)
MST 配重塊 3.5g (4)

820092



Upright weight 10g
輪座配重塊 10g



極致精選

TOP CHOICE

820120R S BK



TR56 Alum. damper set (red) (4)
TR56 鋁合金避震器組 (紅) (4)

210645R BK



RMX alum. lightweight integrated front head mount (red)
RMX 鋁合金輕量化一體式前擋座 (紅)

210649



RMX 2.5 RS Carbon lower deck 2.5
RMX 2.5 RS 碳纖維底盤 2.5

210461R BK



RMX Alum. spur gear cover (red)
RMX 鋁合金齒盤壓板 (紅)

210575R BK



RMX 2.0 Alum. upper arm set (red)
RMX 2.0 鋁合金上擺臂組 (紅)

210581-1



RMX 2.0 Carbon lower deck 3.0
RMX 2.0 碳纖維底盤 3.0

210647R BK



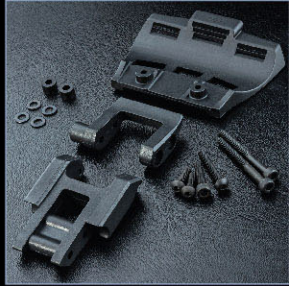
Alum. lightweight bumper support L (red)
鋁合金輕量化防撞板上蓋 L (紅)

210610



Carbon bumper support L 2.5
碳纖維前壓板 L 2.5

210579



RMX 2.0 Rear motor conversion kit
RMX 2.0 後置套件組

210650



RMX 2.5 RS Carbon short battery strap
RMX 2.5 RS 碳纖維短電池座壓板

210641



Carbon separating battery holder set
碳纖維分離式電池座組

210586



RMX 2.0 Carbon front damper stay 3.5
RMX 2.0 碳纖維前避震架 3.5

210587



RMX 2.0 Carbon rear damper stay 3.5
RMX 2.0 碳纖維後避震架 3.5

820125R BK



Alum. servo mount (red)
鋁合金伺服機座 (紅)

210602R BK



RRX 2.0 Alum. rear connector (red)
RRX 2.0 鋁合金後置馬達架 (紅)

820127R BK



Alum. 8-adjusting servo saver (red)
鋁合金8段調整緩衝組 (紅)

820135



Alum. wheel hubs 6mm (large brake disc shaped)
鋁合金六角輪座6mm (加大煞車碟型)

210643R BK



RMX 2.0 alum. spur gearbox motor heat sink mount (red)
RMX 2.0 鋁合金直齒箱散熱馬達座 (紅)

210590R BK



RMX 2.0 Alum. steering joint plate (red)
RMX 2.0 鋁合金轉向連接板 (紅)

210589R BK



RMX 2.0 Alum. steering arm (red)
RMX 2.0 鋁合金轉向搖臂 (紅)

210588R BK



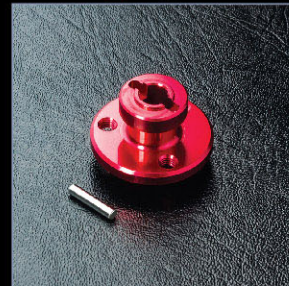
Alum. steering arm mount (red)
鋁合金搖臂架 (紅)

210561R BK



Alum. post M3 x 13 (red) (2)
鋁合金支柱 M3 x 13 (紅) (2)

210429R BK



RMX Alum. spur gear holder (red)
RMX 鋁合金齒盤座 (紅)

210580-1R BK



RMX 2.0 Carbon upper deck 3.5 (red)
RMX 2.0 碳纖維上樓板 3.5 (紅)

210578R BK



RMX 2.0 Alum. rear damper stay (red)
RMX 2.0 鋁合金後避震架組 (紅)

820123R BK



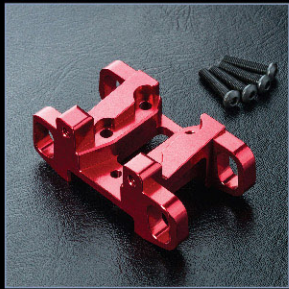
ATK Alum. upright (2WD) (red)
ATK 鋁合金輪座組 (紅)

210620R BK



MB Alum. Rear upright set (red)
MB 鋁合金後輪座組 (紅)

210598R BK



RMX 2.0 Alum. upper arm mount (red)
RMX 2.0 鋁合金上擺臂座 (紅)

210577R BK



RMX 2.0 Alum. front damper stay (red)
RMX 2.0 鋁合金前避震架組 (紅)

210601R BK



RMX 2.0 Alum. adj. front connect mount (red)
RMX 2.0 鋁合金可調式前連結座組 (紅)

210584R BK



RMX 2.0 Alum. rear upper deck support (red)
RMX 2.0 鋁合金二樓板後連結座 (紅)

210627R BK



Alum. Gyro mount (red)
鋁合金陀螺儀底座 (紅)

820071



Machined piston 3x1.0 (4)
切削避震活塞 3x1.0 (4)

210644



RMX 2.0 alum. spur gear ball diff. set
RMX 2.0 鋁合金直齒滾珠差速組

210633



Carbon lower bumper 3.0
碳纖維防撞板 3.0

210639R BK



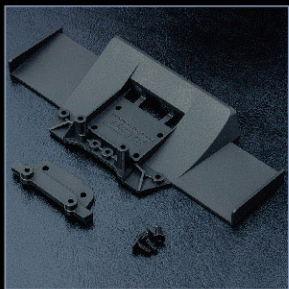
RMX 2.0 Alum. ESC rear mount set (red)
RMX 2.0 鋁合金ESC後置架組 (紅)

820141



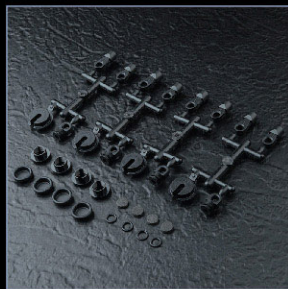
MST F/R Stealth Magnetic Body Post set
磁吸式前後隱形車殼固定組

820090



Universal rear balancing diffuser
通用型配重擾流板組

820147



Adjustable shock upper end (4)
避震器可調長度上座組 (4)

820103



31mm Hard coil spring set (8)
31mm 硬避震彈簧組 (8)

820104



31mm Soft coil spring set (8)
31mm 軟避震彈簧組 (8)

820105



31mm Super-soft coil spring set (8)
31mm 超軟避震彈簧組 (8)

720020



MST A90RB body (clear)
MST A90RB 車殼 (透明)

720019



MST 86RB body (clear)
MST 86RB 車殼 (透明)

720017



MST LBMT body (clear)
MST LBMT 車殼 (透明)

720016



MST LP56 body (clear)
MST LP56 車殼 (透明)

720011



MST E92 body (clear)
MST E92 車殼 (透明)

More details, please refer to MST website. | 更多詳細內容請上官網

rc-mst.com

210616R BK



MB Alum. Rear lower arm set (red)
MB 鋁合金後下擺臂 (紅)

210637R BK



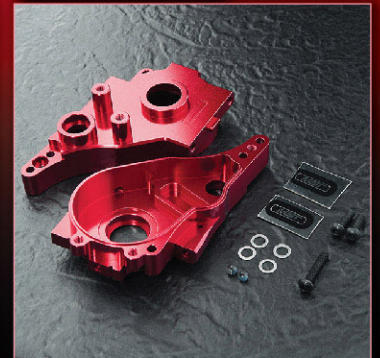
Carbon short battery holder set (red)
碳纖維短電池座組 (紅)

210640R BK



RMX 2.0 alum. integrated upper deck connector (red)
RMX 2.0 鋁合金一體式二樓板後連結架 (紅)

210642R BK



RMX 2.0 alum. spur gearbox set (red)
RMX 2.0 鋁合金直齒式齒輪箱組 (紅)