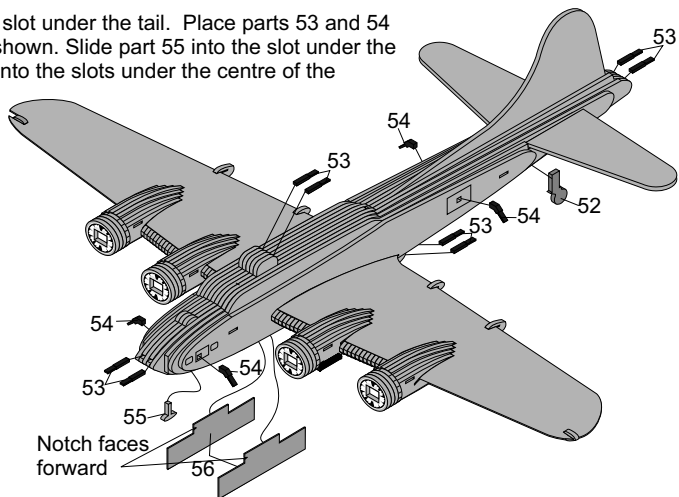


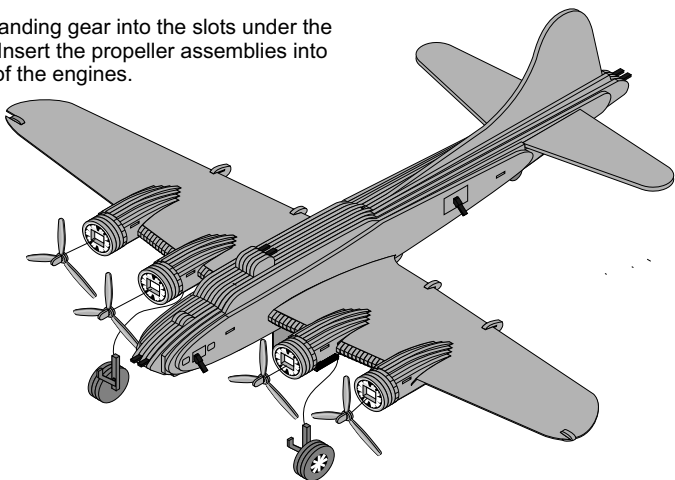
Step 8

Insert part 52 into the slot under the tail. Place parts 53 and 54 into the gun position shown. Slide part 55 into the slot under the nose. Insert parts 56 into the slots under the centre of the body.



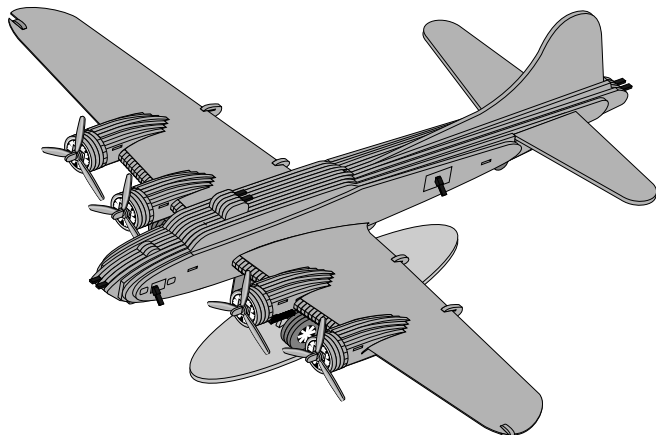
Step 9

Insert the completed landing gear into the slots under the inner engine nacelle. Insert the propeller assemblies into the slots on the front of the engines.



Step 10

Completed model ready for paint and decals. Please see the separate sheet for paint and decal instructions.



Boeing B17F Flying Fortress

Featuring markings of the Memphis Belle



The B17 is a American design four engine Second World War heavy bomber. It was designed and built by Boeing. It first saw action in late 1941 in the Pacific Theatre just after the Pearl Harbor attack. The B17 was the main heavy USAAF bomber of the Second World War. The aircraft was used extensively in all theatres of the war but most notably as the primary daylight bomber of the European Theatre. Of the 1.5 million metric tons of bombs dropped on Germany and its occupied territories by U.S. aircraft, 640,000 tonnes were dropped from B-17s. There would be 12,731 units built of all different versions, of these 4,735 were lost in combat. After the war many would be put into storage awaiting the scrapers torch, but some would go on to be used as air transports or in maritime patrol. Today fewer than 100 exist and 10 remain airworthy, non of these are combat veterans.

Although there was many famous B17's, probably the most notable was the Memphis Belle. The bomber and its crew were the first to complete 25 missions. After these accomplishments the bomber and its crew were sent back to the United States to do a nationwide warbond tour. After the war the plane was purchased by the city of Memphis for \$350 and put on display as a memorial to all the USAAF men lost in WWII. The aircraft was eventually removed and donated back to the USAF ultimately ending up at Wright-Patterson AFB near Dayton, Ohio for full restoration.

Boeing B17F Specifications

Length	74' 4"
Wingspan	103' 9"
Max speed	287mph
Armament	12 .50 machine guns
Bombs	General purpose bombs to a maximum load of 17,600 lb

Building tips:

All parts will be a tight fit. If you find a part is too tight give it a bit of a sanding with 220 grit sandpaper. **DO NOT FORCE PARTS.** A hobby knife is suggested to cut the pieces from the part tree but most parts will break free easily. 220 grit sandpaper may be used to remove unwanted burn marks. A white glue may be used for assembly if desired. Any black substance that gets on your hands is non toxic and can be removed with soap and water.

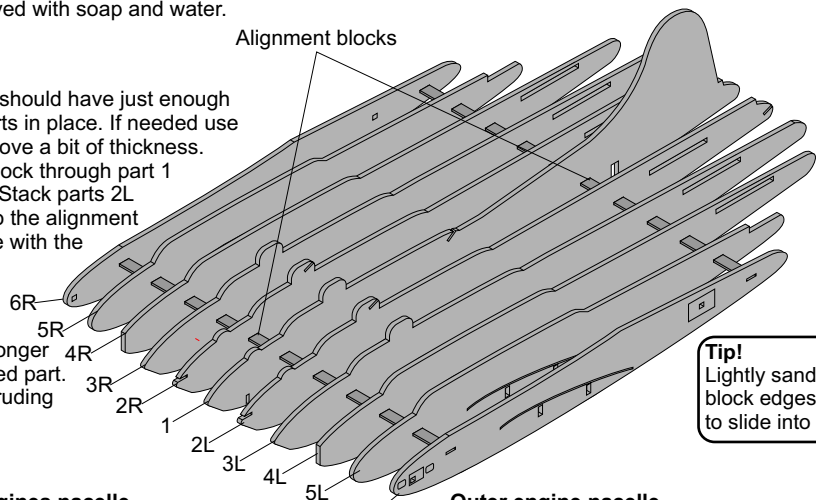
Step 1

Note:

Alignment blocks should have just enough friction to hold parts in place. If needed use sandpaper to remove a bit of thickness. Slide alignment block through part 1 and centre them. Stack parts 2L through to 6L onto the alignment pins. Do the same with the other side.

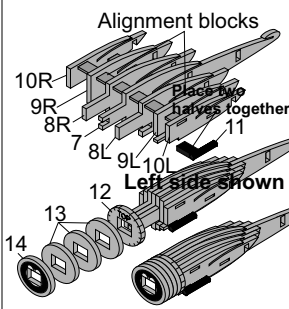
Note:

Alignment blocks are made a little longer than the assembled part. Remove any protruding material.



Step 2

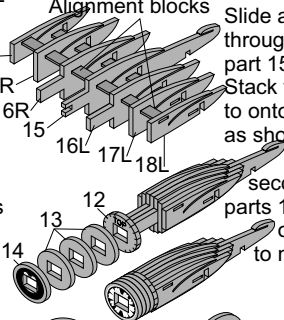
Inner engines nacelle



Slide alignment blocks through centre section, part 7 and centre them. Stack the following parts to onto the alignment pins as shown. Repeat the process to make a second unit. Slide part 11 into slots on the front of the nacelles to make a left and right unit. Slide parts 12 through to 14 onto front of nacelle to make engine cowling.

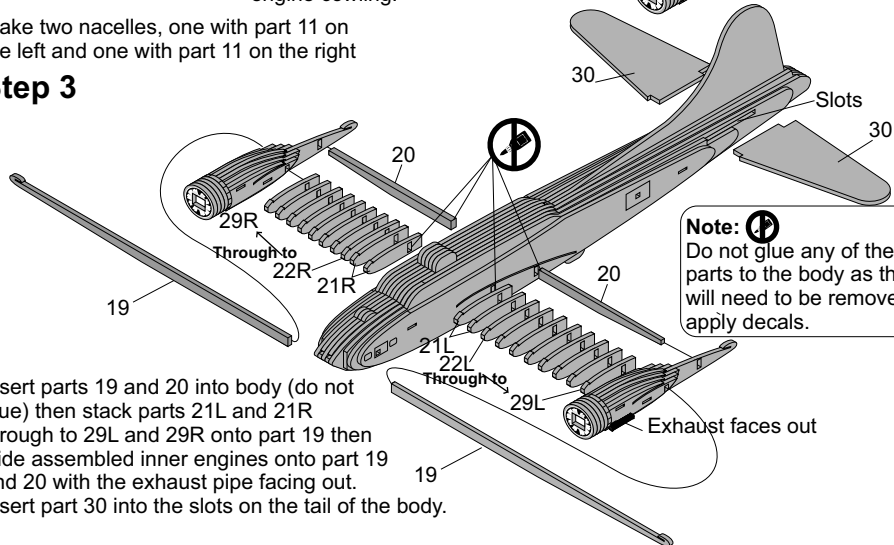
Make two nacelles, one with part 11 on the left and one with part 11 on the right

Outer engine nacelle



Slide alignment blocks through centre section, part 15 and centre them. Stack the following parts to onto the alignment pins as shown. Repeat the process to make a second unit. Slide parts 12 through to 14 onto front of nacelle to make engine cowling.

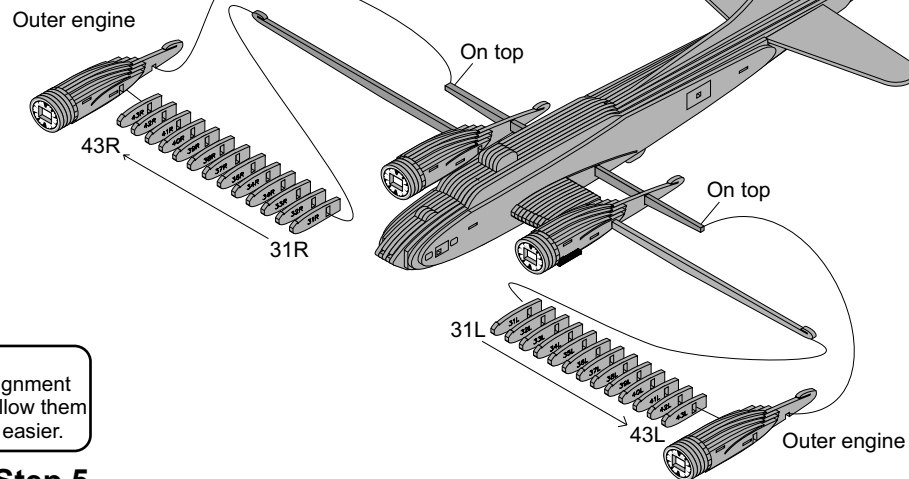
Step 3



Insert parts 19 and 20 into body (do not glue) then stack parts 21L and 21R through to 29L and 29R onto part 19 then slide assembled inner engines onto part 19 and 20 with the exhaust pipe facing out. Insert part 30 into the slots on the tail of the body.

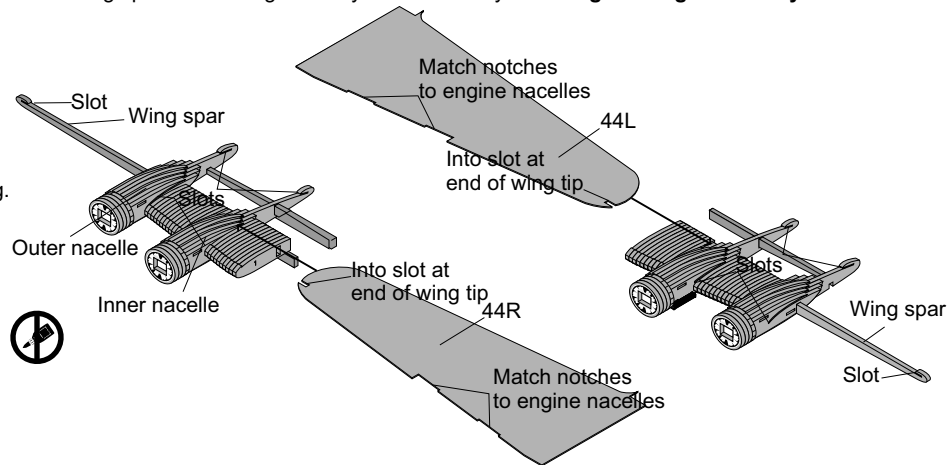
Step 4

Slide parts 31L and 31R through to 43L and 43R onto part 19 then slide outer engines onto part 19 and 20. Tail end of nacelle should sit on top of part 20.

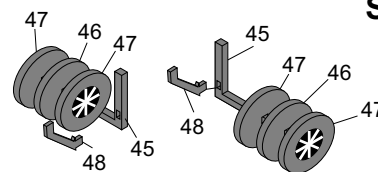


Step 5

Remove wing structure from body. Slide part 44L 44R wings through the slots in the engine nacelles. Start at the inner nacelle slid the wing through the slots in the nacelles. Match the notches in the leading edge of the wing to the engine nacelles. The wing tip should slide into the notch at the end of the wing spar. Place wing assembly back into body. **Do not glue wings into body.**

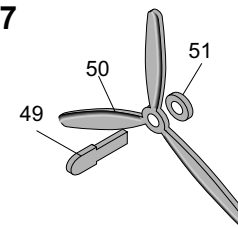


Step 6

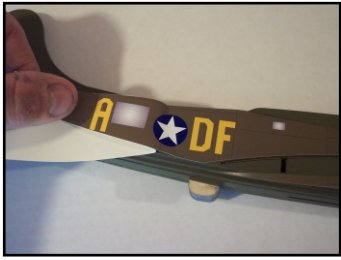


Slide parts 47 onto part 45 followed by part 46 and then another part 47. Place part 48 into the slot on part 45. Make two, a left and right.

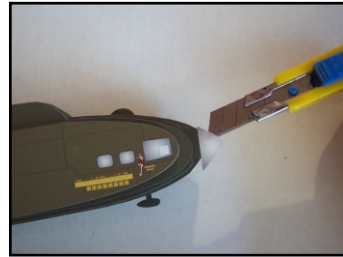
Step 7



Slide part 49 through part 50 followed by part 51. Make four.

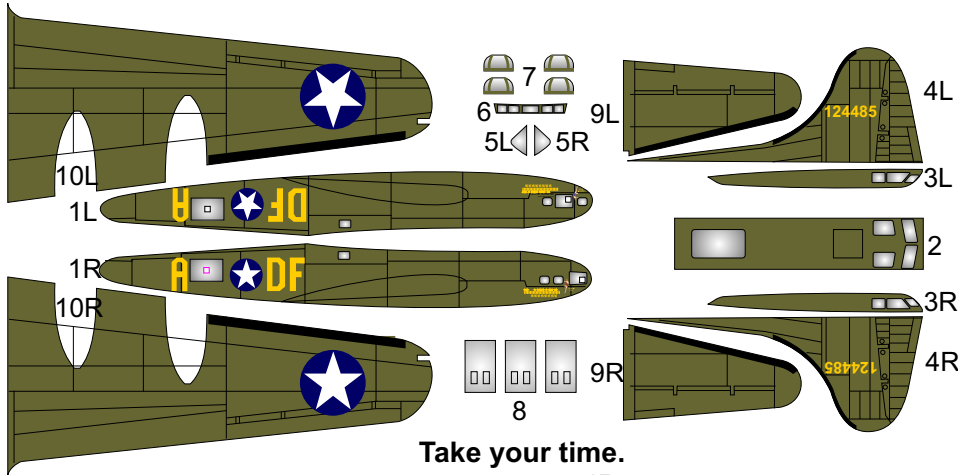


Avoid pulling the decal as it will stretch.

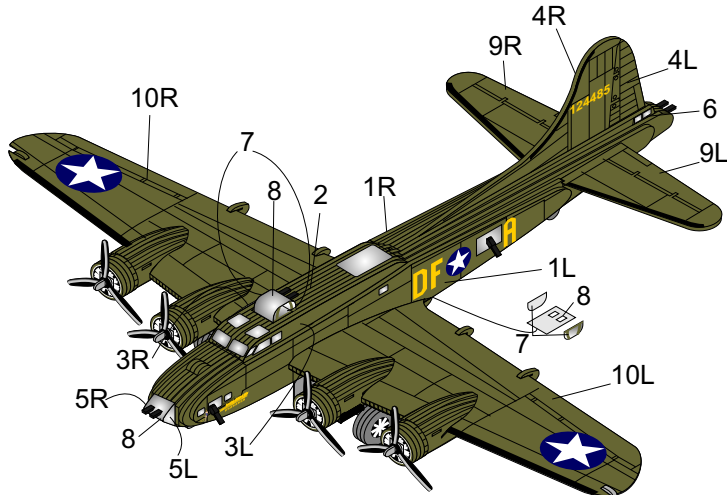


For small decals you may use a small utility knife to remove them from the backing and place in position.

Decals should be placed into position in numerical order. You will need to remove the main wings to apply the side decal.



Take your time.



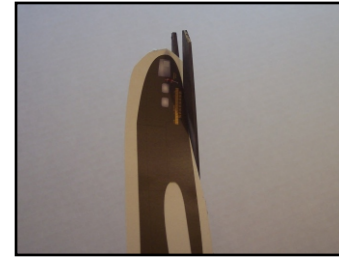
Applying decals

Tools needed to apply decals

Scissors

Utility knife

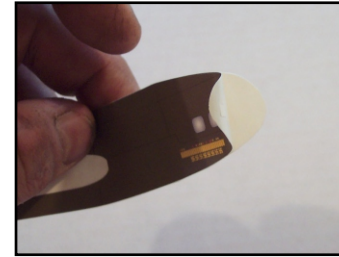
Make sure your hands are clean before applying decals. Avoid contact with the adhesive as this can cause the decal to lose some of its adhesion. Decals will adhere better to a smooth clean surface so we do recommend painting your model for best results.



Cut out each decal as close to the edge as possible. Only cut out decals as needed.

Note:

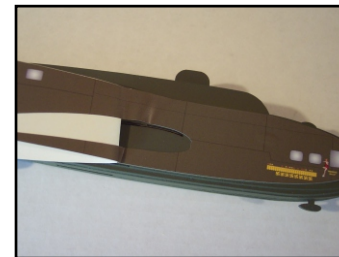
Paint entire aircraft black before applying decals.



For the large decals, remove about a 1/4" of the backing and fold under.



Place the exposed section on the surface making sure that your decal is properly aligned on the part.

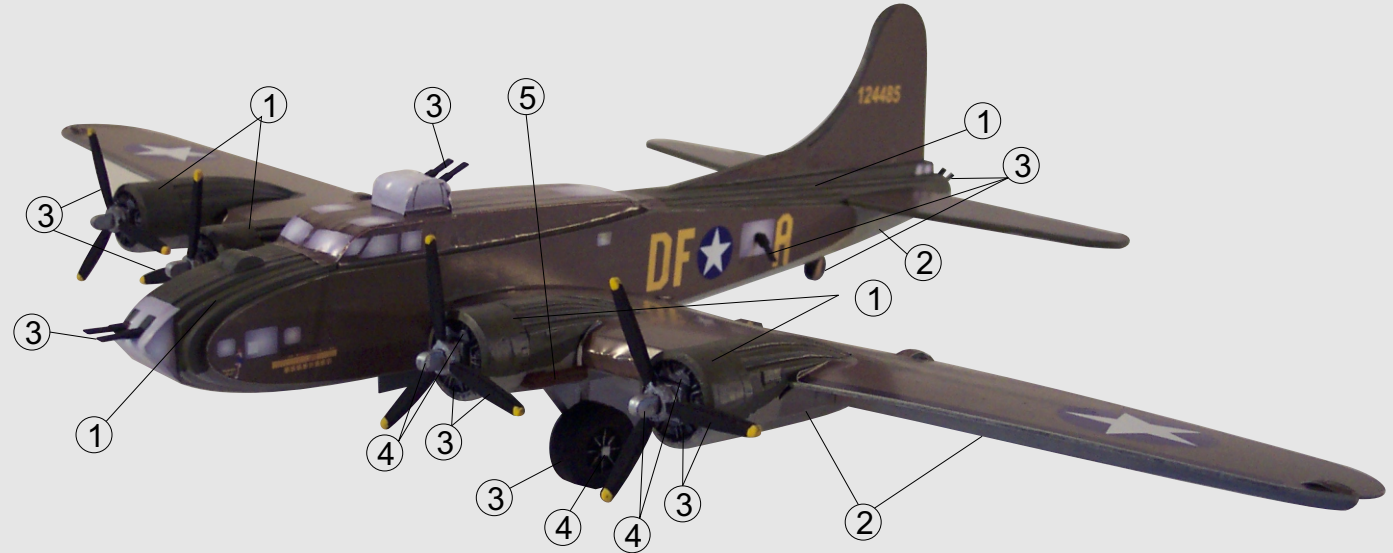


Slowly remove the backing making sure the decal is staying aligned on the surface.

Colour Scheme of B17F Memphis Belle

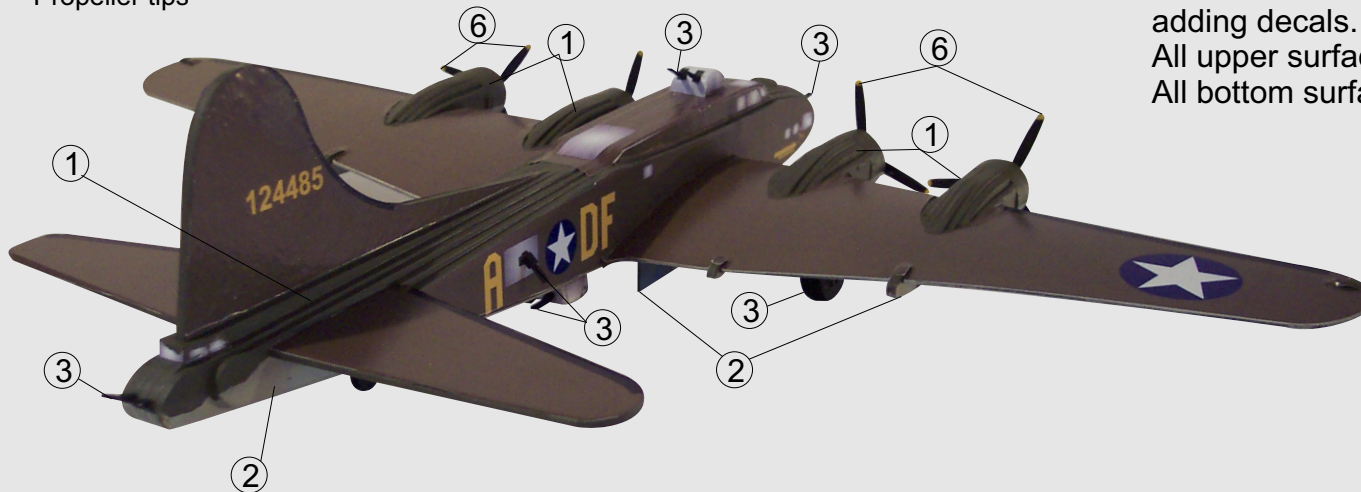
Suggested colours:

- 1 Olive Drab 1165**
All upper surfaces
- 2 Light Grey 1163**
All under surfaces
- 3 Black 1149**
Propellers
Wheels
Guns
Inside engine cowling
Tail wheel
- 4 Silver 1146**
Centre of propellers
Centre of wheels
Landing gear
Engine detail
- 5 Brown 1140**
Exhaust pipes
- 6 Yellow 1114**
Propeller tips



Note:

Model should be painted before adding decals.
All upper surfaces should be Olive Drab.
All bottom surfaces should be light grey.



If you would like to paint your model use acrylic paints available from your local craft or hobby shop. Apply peel and stick decals after painting is complete. Use the paint diagram above as a guide.