

## Van's RV-7

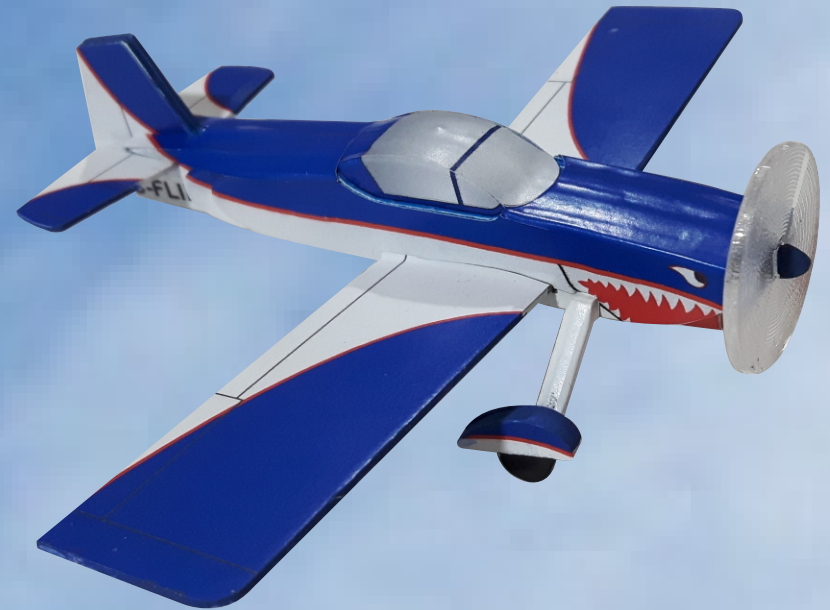


The Van's RV-7 is a two seat low wing aircraft designed to be home built. Van's design allows for recreational use or sport flying. The plane can be built in two different configurations, as a traildragger or with tricycle landing gear. The RV-7 was the replacement of the RV-6, being introduced in 2001. It is externally similar to the earlier model, with longer wings, larger fuel tanks and a larger rudder to improve spin recovery characteristics. Van's aircraft are a popular choice for amateur and skilled pilots because of its flight characteristics.

### Van's RV-7 Specifications

Length	20' 4"
Wingspan	25'
Power	Lycoming O-320 or Lycoming O-360, producing between 160-200 hp
Performance	Max speed 217mph
Numbers built	over 1700

# Van's RV-7



## Wooden Semi Scale Model Kit

Easy build sandwich construction

**No special tools required**

**PAINT NOT INCLUDED**

1:66 Scale

FOR AGES 8 AND UP  
**SKILL LEVEL 1**  
Contains One Model Kit

**OSBORN MODEL KITS**  
[www.osbornmodelkits.com](http://www.osbornmodelkits.com)



**KIT-6055**

## Building tips:

All parts will be a tight fit. If you find a part is too tight give it a bit of a sanding with 220 grit sandpaper. **DO NOT FORCE PARTS.** A hobby knife is suggested to cut the pieces from the part tree but most parts will break free easily. 220 grit sandpaper may be used to remove unwanted burn marks. A white glue may be used for assembly if desired. Any black substance that gets on your hands is non toxic and can be removed with soap and water.

## Step 1

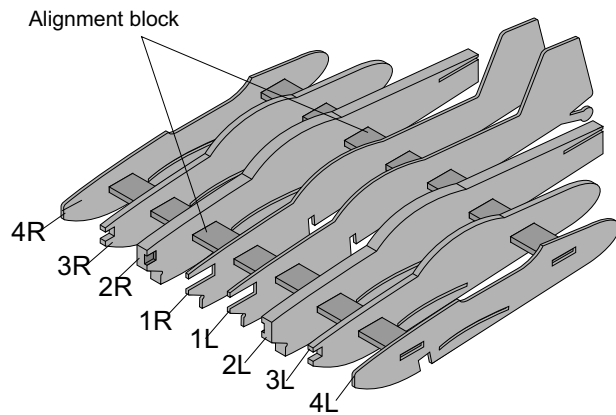
### Fuselage

#### Note:

Alignment blocks should have just enough friction to hold parts in place. If needed use sandpaper to remove a bit of thickness.

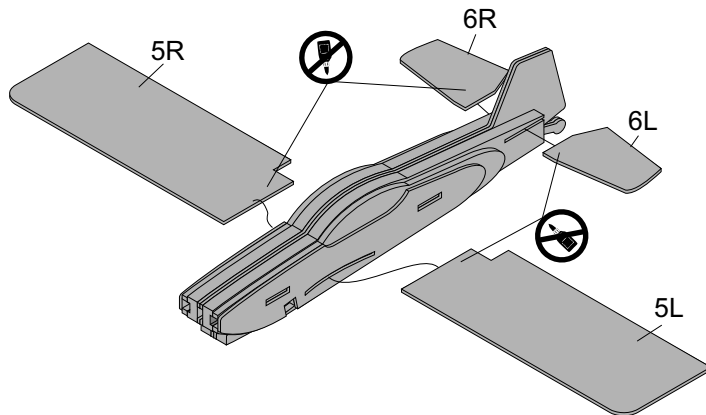
#### Tip!

Lightly sanding alignment block edges will allow them to slide into place easier



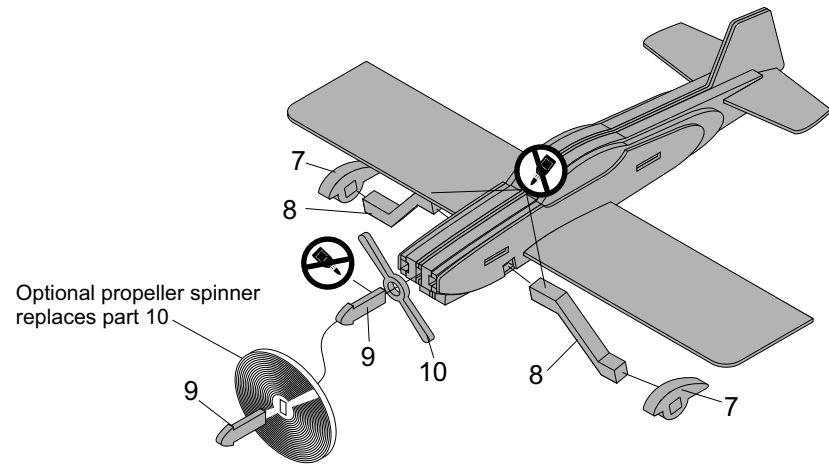
## Step 2

### Wing Assemblies



## Step 4

### Landing gear and Propeller

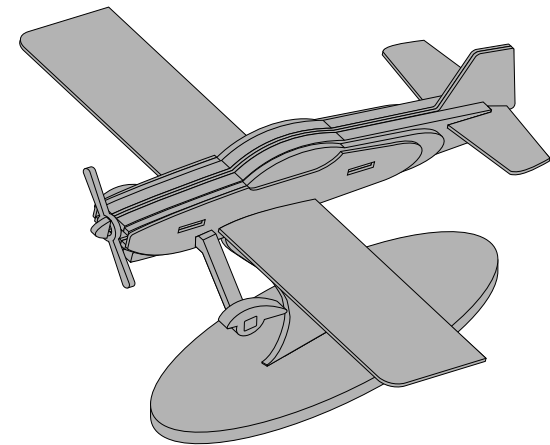


#### Note:

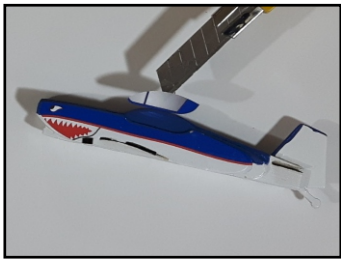
Do not glue any of these parts as they will need to be removed to add the decals

## Step 3

### Stand and display



Completed model ready for paint and decals. Please see the separate sheet for paint and decal instructions.



For small decals you may use a small utility knife to remove them from the backing and place in position.

# Applying decals

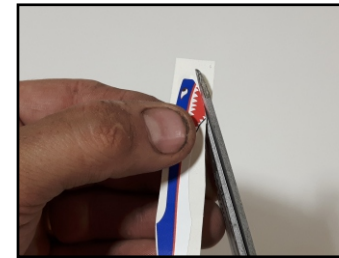
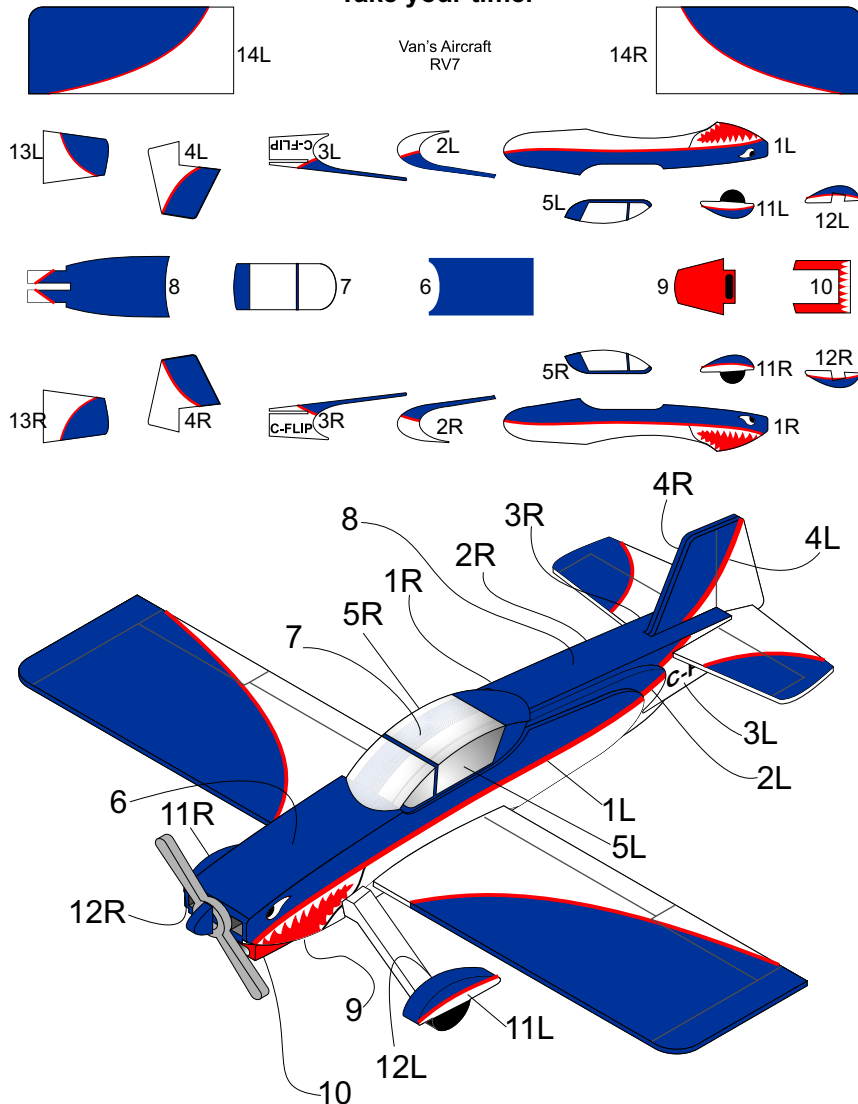
## Tools needed to apply decals

Scissors  
Utility knife

Make sure your hands are clean before applying decals. Avoid contact with the adhesive as this can cause the decal to lose some of its adhesion. Decals will adhere better to a smooth clean surface so we do recommend painting your model for best results.

Decals should be placed into position in numerical order. You will need to remove the wings, stabilizers, landing gear and propeller to apply the side decal.

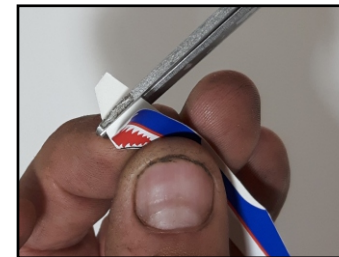
**Take your time.**



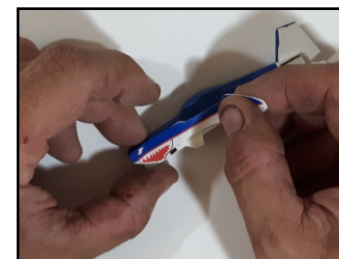
Cut out each decal as close to the edge as possible. Only cut out decals as needed.

**Note:**

Paint upper part of the fuselage blue. The rest of the plane should be white, do this before applying decals.



For the large decals, remove about a 1/4" of the backing and cut off with scissors.



Place the exposed section on the surface making sure that your decal is properly aligned on the part.

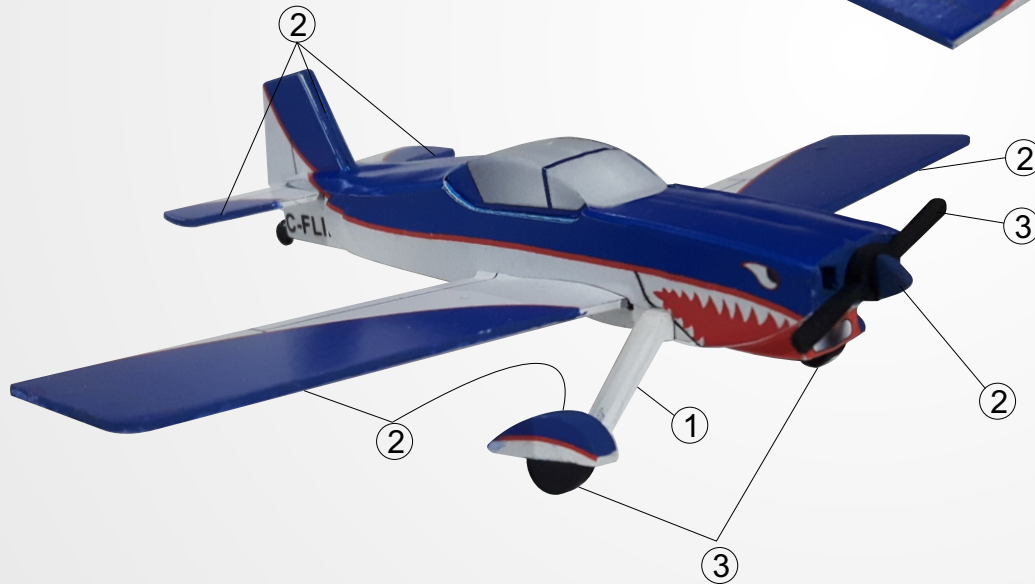
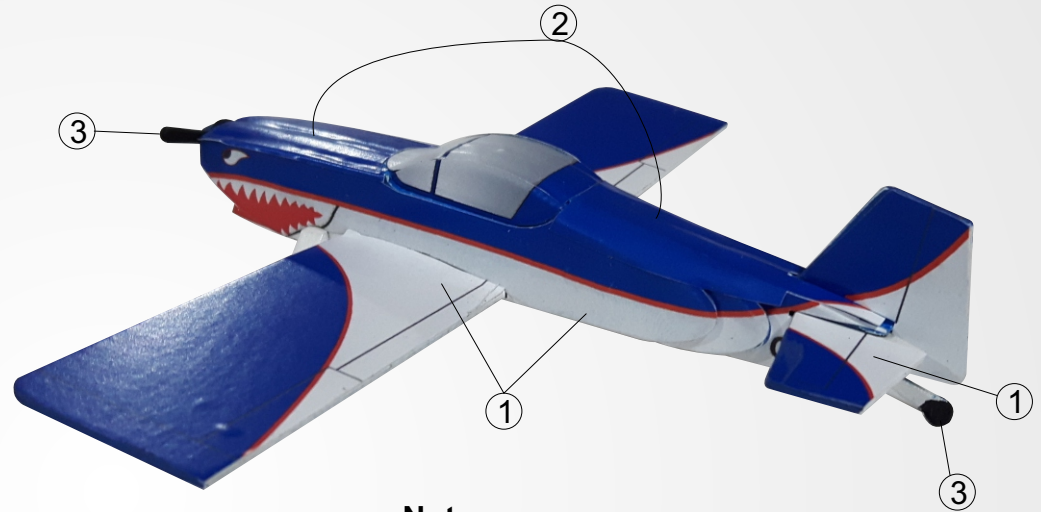


Slowly remove the backing making sure the decal is staying aligned on the surface.

# Van's RV-7

## Suggested colours:

- 1 White** 1145 Testors Model Paint  
All surfaces except upper fuselage  
see inset, landing gear struts, wheel  
fairings.
- 2 Blue** 1111 Testors Model Paint  
Upper surface of fuselage,  
Propeller spinner, top of wheel  
fairings, leading edges of wings.
- 3 Black** 1147 Model Paint  
Wheels, Propeller.



## Note:

Model should be painted before adding  
decals.  
Paint upper part of the fuselage blue  
The rest of the plane should be white

