

Schweizer 2-33A



The Schweizer 2-33A is an American two-seat training glider designed and built by Schweizer Aircraft of Elmira, New York. The design is rugged and easy to maintain and withstands the punishment students put it through. It has a welded steel tube fuselage covered in aircraft fabric. The single-spar, aluminum structure wings are tapered from mid-span and feature top and bottom balanced divebrakes. The wings are covered in aluminum stressed skin. The tailplane and elevator are made from welded steel tube covered in aircraft fabric. The vertical fin is aluminum stressed skin construction, while the rudder is fabric-covered. The nosecone is made of fiberglass and the canopy is a one piece molded unit. The rear seat is accessed from a door on the right side. Instruments are fitted in the front cockpit only. The 2-33A had a production run of 14 years of which 579 units were built. Many of these units are still being used. The Royal Canadian Air Cadets operates just over 50 units for there Air Cadet Gliding Program operated from various Canadian Forces Bases across Canada. The markings included in this kit are from S/N 156 operated out of Markham Ontario.

Schweizer 2-33A Specifications

Crew: one
Capacity: one passenger
Length: 25 ft 9 in
Wingspan: 51 ft 0 in
Height: 9 ft 3 in
Wing area: 219.5 sq ft
Stall speed: 36 mph

Schweizer 2-33A Glider

Featuring markings
of the Royal Canadian Air Cadets



Wooden Semi Scale Model Kit

Easy build sandwich construction

No special tools required

PAINT NOT INCLUDED

1:66 Scale

FOR AGES 8 AND UP
SKILL LEVEL 1
Contains One Model Kit

OSBORN MODEL KITS
www.osbornmodelkits.com




KIT-6058


Schweizer 2-33A Glider kit 6059

Building tips:

All parts will be a tight fit. If you find a part is too tight give it a bit of a sanding with 220 grit sandpaper.

DO NOT FORCE PARTS. A hobby knife is suggested to cut the pieces from the part tree but most parts will break free easily. We recommend removing the burnt edge left by the laser with 220 grit sandpaper. This makes it easier for painting also it makes for a better appearance, especially if you are going to leave the model in it's natural wood state. Although the model is designed to be assembled without glue, we do suggest gluing your model together. Note indicated parts that are not to be glued. Any black substance that gets on your hands is non toxic and can be removed with soap and water

 Indicates do not glue part or assembly

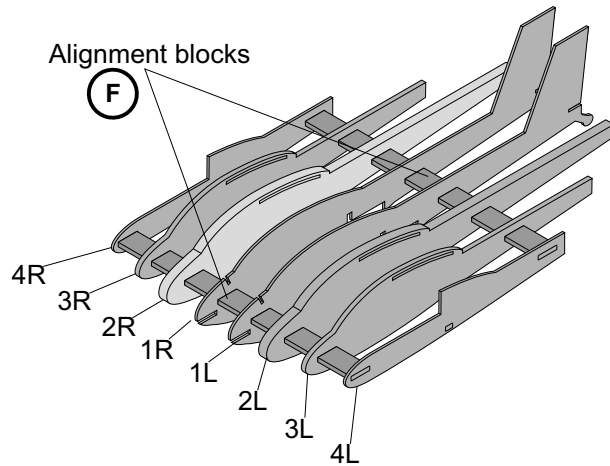
 Indicates part is a friction fit in order to hold in place

Recommended Tools:

Hobby Knife, Scissors, White Glue, 220 grit sandpaper

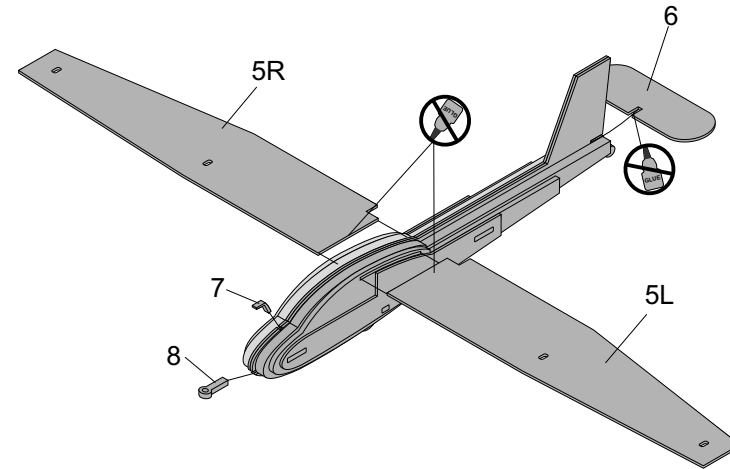
Step 1

Fuselage



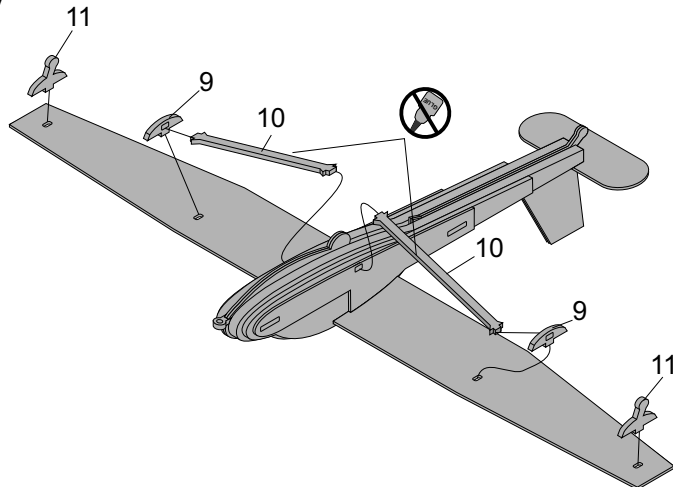
Step 2

Flight control surfaces



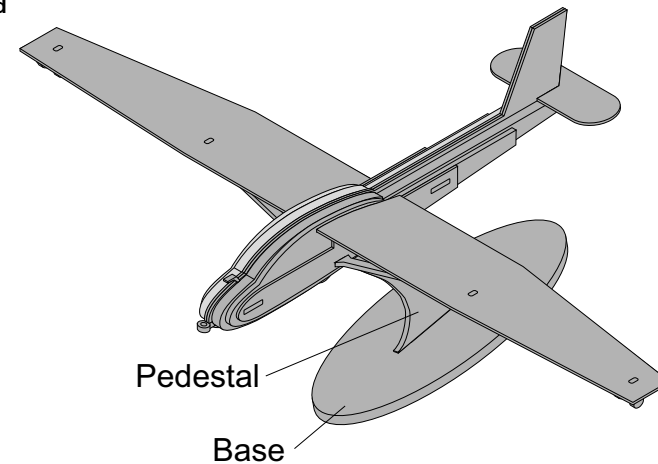
Step 3

Final assembly

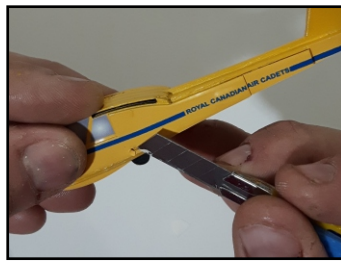
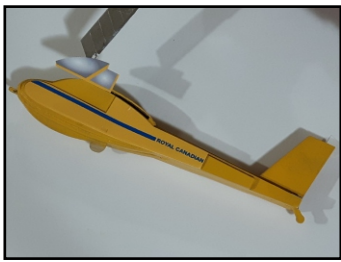


Step 4

Stand



Ready for paint and decals



For small decals you may use a small utility knife to remove them from the backing and place in position.

Remove any vinyl that may be covering slots with a utility knife

Applying decals

Tools needed to apply decals

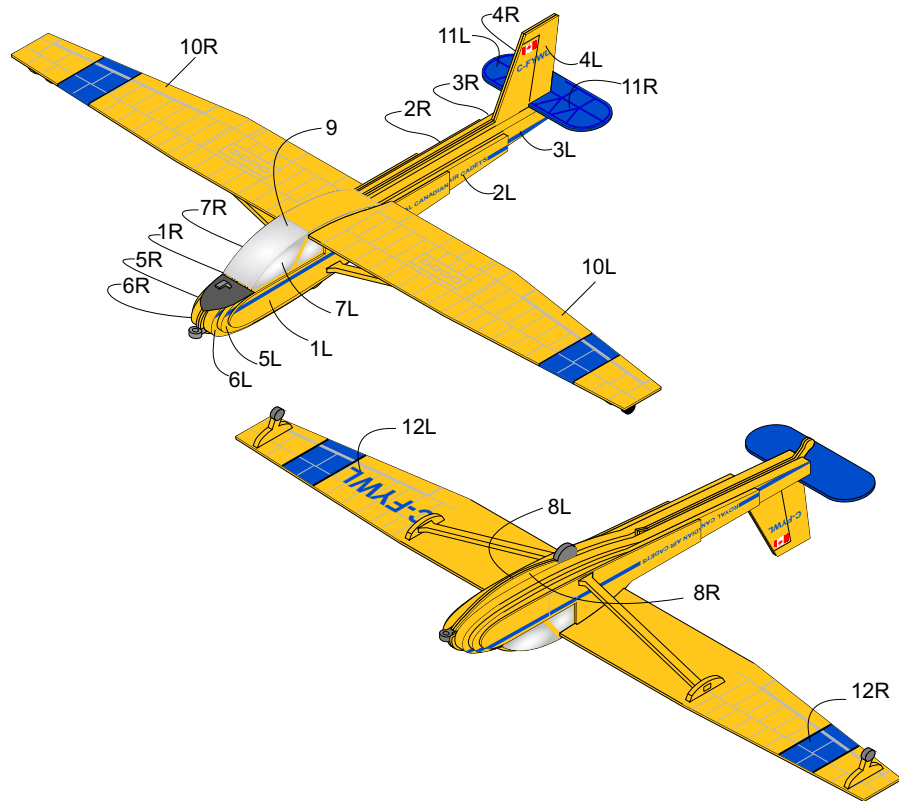
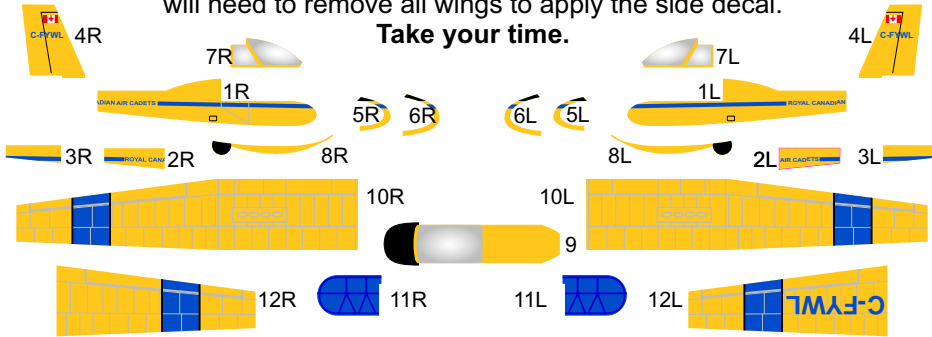
Scissors

Utility knife

Make sure your hands are clean before applying decals. Avoid contact with the adhesive as this can cause the decal to lose some of its adhesion. Decals will adhere better to a smooth clean surface so we do recommend painting your model for best results.

Decals should be placed into position in numerical order. You will need to remove all wings to apply the side decal.

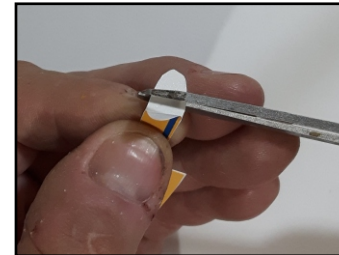
Take your time.



Cut out each decals as close to the edge as possible. Only cut out decals as needed.

Note:

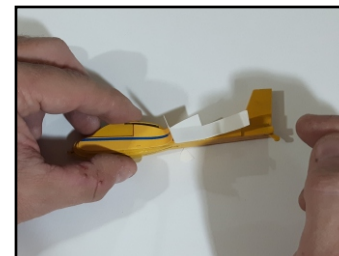
Paint entire aircraft **Yellow** before applying decals.



For the large decals, remove about a 1/4" of the backing and cut off with scissors.



Place the exposed section on the surface making sure that your decal is properly aligned on the part. Peel and cut backing off in stages.

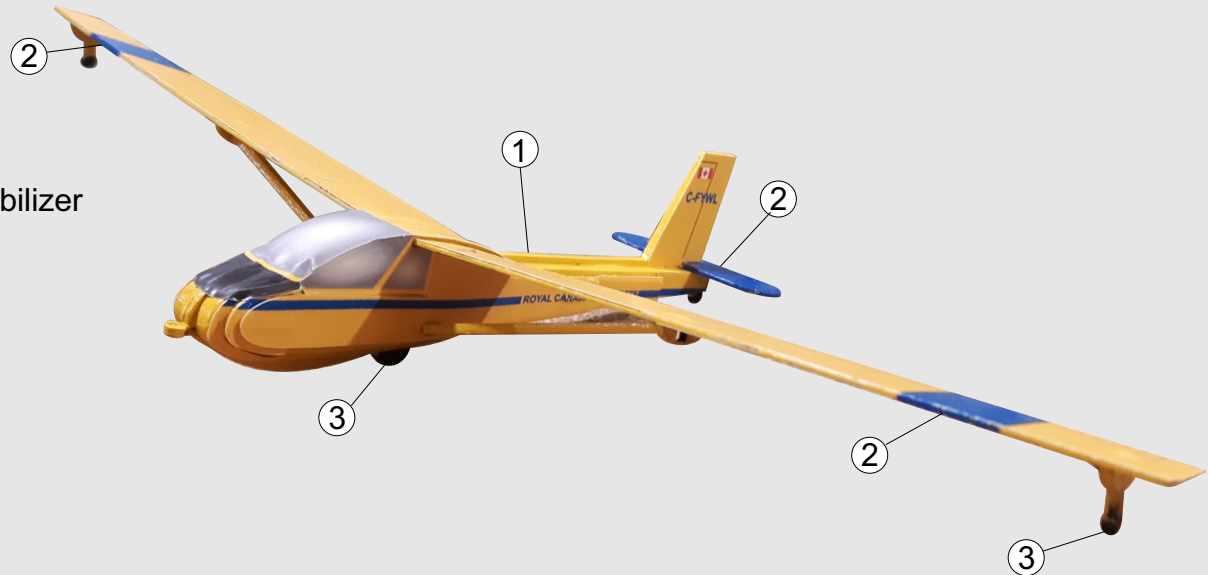


Slowly remove the backing making sure the decal is staying aligned on the surface.

Colour Scheme for Schweizer 2-33A C-FYWL

Suggested colours:

- 1 **Yellow** 1114 Testors Model Paint
All upper and lower surfaces
- 2 **Blue** 1111 Testors Model Paint
Leading edges of wings and rear stabilizer
- 3 **Black** 1147 Testors Model Paint
Wheels



Note:

Model should be painted before adding decals.

