

Paasche®

TG Talon – Airbrush

Double Action - Internal Mix - Gravity Feed - PTFE Packings.

Size #2 Needle, Tip, and Aircap Installed.

WARNING: Spray materials may be harmful if inhaled or allowed to come into contact with the skin or eyes. Consult the product label and material safety data sheet supplied for the spray material. Follow all safety precautions. **CAUTION:** Well Ventilated Area Required to remove fumes, dust or overspray. **Maximum Air Pressure 75 P.S.I.**

TG Specifications:

- Dual Action • Gravity Feed • Internal Mix • Cutaway Handle w/ Pre-set Needle Stop • PTFE Packing
- **TT-2, TN-2, and TA-2** Components come installed on Talon.

Options for Talon:

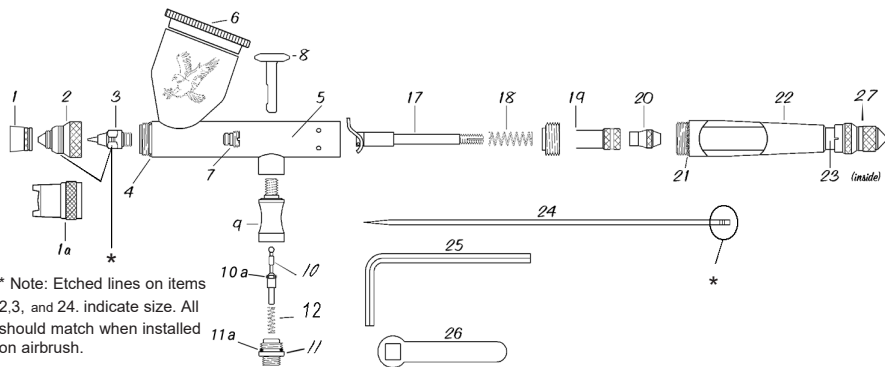
- .2mm head (TT-0, TN-0 and TA-1 components) Great for jobs requiring the "extremely fine" detail.
- .25mm head (TT-1, TN-1, and TA-1 components)
- .66mm head (TT-3, TN-3 and TA-3 components) Great for spraying Metallics, Pearlescent and Thicker Paints.
- .66mm Fan Aircap (TAF-3, TN-3 and TT-3) Will give a 2-1/2 to 3 inch flat pattern.

Working pressure:

Operating pressures 15-55 PSI; Maximum pressure 85 PSI. Fan aircap needs 20 PSI or more. 20-30 PSI is best for detail spraying w/ properly thinned paint
Use the higher pressures for thicker material where fine detail is not critical or thin the paint for lower pressures.

Airbrush Operation:

1. Attach air hose to air supply and to airbrush. If using a regulator set pressure between 20-55 psi .
2. Press down on Finger Button to release air and pull back on button to control quantity of color.
3. Speed of movement controls density of color and fading effects at beginning and end of strokes.
4. Practice this movement until you can spray a fine line or a broad pattern without heavy build up at the beginning or end of your strokes.
5. For detail, hold the airbrush very close to the surface push down for air and pull back very slowly on the Finger Button to release a small amount of paint.
6. For background work and broad effects, hold the airbrush away from the work surface and pull back on Finger Button to release required amount of color.



NO.	PART	DESCRIPTION		
1.	XI-41	Needle Protection Cap	11.	TAL-15 Valve Adapter (Includes O-ring)
1a.	TAF-3	Fan Aircap for .66mm head -	11a.	TAL-22 (Optional) Pack of (6) O-rings
2.*	TA-1, TA-2, TA-3	Head (.25mm, .38mm, .66mm) (Size TA-1 Head is used with size 0 and 1 Tip)	12.	A-22 Spring
3.*	TT-0, TT-1, TT-2, TT-3	Tip (.2mm, .25mm, .38mm, .66mm)	17.	TAL-18 Rocker Assembly
4.	MIL-12	"O" Ring for TG-30 Shell	18.	MIL-11 Needle Spring
5.	TG-30	Shell Assembly	19.	TAL-17 Spring Housing
6.	TG-4	Cup Cover	20.	TAL-19 Needle Lock Nut
7.	TAL-8	Packing Assembly PTFE	21.	MIL-12 "O" Ring
8.	TAL-37	Trigger	22.	TAL-20 Handle
9.	TAL-14	Valve Casing	23.	3A-4 "O" Ring
10.	TAL-36	Valve Plunger (Includes O-ring)	24.	TN-0, TN-1, TN-2, TN-3 Needle (.2mm, .25mm, .38mm, .66mm)
10a.	A-53	(Optional) Pack of (6) O-rings	25.	TAL-35 Allen Wrench
			26.	TAL-28 Wrench
			27.	TAL-33 Needle Stop

REMOVING / REPLACING THE NEEDLE AND HANDLE:

1. Unscrew the handle and loosen the Locknut- #TAL-19 by turning counterclockwise. Depress the Trigger- #TAL-37 and hold in down position while removing or inserting the needle. This assures the needle moves freely through the trigger. Gently remove the needle, rotating if necessary.
2. Inspect the condition of the needle. If it is bent or misshapen in any way, replace it with a new needle. A bent needle can damage or split the Tip- #TT causing bubbles or a rough spray pattern.
3. Hold trigger in down position, insert the new needle into the Rocker Assembly- #TAL-18. Gently push needle forward until the needle stops in the front of the tip.
4. Release trigger and tighten locknut by turning clockwise.

REPLACING THE FINGER LEVER ASSEMBLY:

If the Trigger- #TAL-37 is removed, it is easiest to replace before the Rocker Assembly- #TAL-18 is inserted. The needle must be removed.

1. Hold trigger so the round side of the stem is to the front and flat side to the back of the airbrush
2. Insert trigger straight DOWN through the opening in the top of the airbrush shell.
3. You want the bottom of the trigger to cover the round ball on top of the exposed plunger. Once the connection is made you should have spring action when pushing down on the trigger. Proceed to replace Rocker Assembly- #TAL-18 and balance of parts as above. When the needle is inserted it will prevent the removal of the trigger.

REPLACING THE TIP:

1. Remove handle, loosen Locknut- #TAL-19 and withdraw needle about one inch (1").
2. Un-screw the Aircap- #TA and remove. The Tip- #TT can now be unscrewed with Wrench- #TAL-28.
3. Replace tip and tighten with wrench. The tip must be wrench tight. Push needle forward and lock.

ADJUSTING WORN PACKING WASHER:

1. If Packing Assembly- #TAL-8 becomes worn or loose it must be tightened or replaced.
2. Tighten packing nut with small screwdriver. To reach packing all internal parts must be removed.
3. Replace needle and make sure packing nut is not too tight. Slight resistance is needed when needle passes through.

CLEANING THE AIRBRUSH:

1. Spray airbrush cleaner through airbrush until it has no more color spraying out of airbrush.
2. Remove needle and wipe clean then replace.
3. If paint has dried for a time you can remove the front tip, and aircap for soaking or soak just the front of the airbrush in cleaner.
4. Any paint cleaner is fine. Keep trigger area dry if soaking.

PERSONAL SETTINGS:

Spring Housing- #TAL-17 Used to increase or decrease spring tension for the trigger pull back. Thread into the shell until the trigger stroke feels comfortable. Threading in until it stops can cause the trigger to jam.

TROUBLESHOOTING:**Bubbling in cup:**

1. Aircap- #TA needs to be tightened
2. Tip- #TT needs to be tightened further

Skipping or Spitting:

1. Paint too thick -reduce with thinner
2. Tip not seated -tighten Tip- #TT with wrench
3. Tip split or damaged needle -replace tip or needle
4. Needle or tip dirty -clean and replace
5. Air pressure too low -increase pressure or thin paint further (need 20 or more PSI to spray most paints)

Airbrush Not Spraying:

1. Clogged Tip- #TT -remove tip and clean
2. Needle not moving -tighten needle locknut
3. Low air pressure -increase pressure (need 20 or more PSI to spray most paint)

Sprays double line or heavy to one side:

1. Split Tip- #TT or bent Needle- #TN - replace
2. Dirty tip or needle - remove and clean

Jammed trigger or poor trigger motion:

1. Adjust Spring Housing- #TAL-17 - screw or unscrew the spring housing to lessen or increase tension on trigger motion
2. Paint leaking to trigger area - remove guts of airbrush and slightly tighten packing or replace if needed
3. Lubricate needle and trigger - apply Paasche Airbrush Lube (AL-2) to needle shaft and trigger slot area.