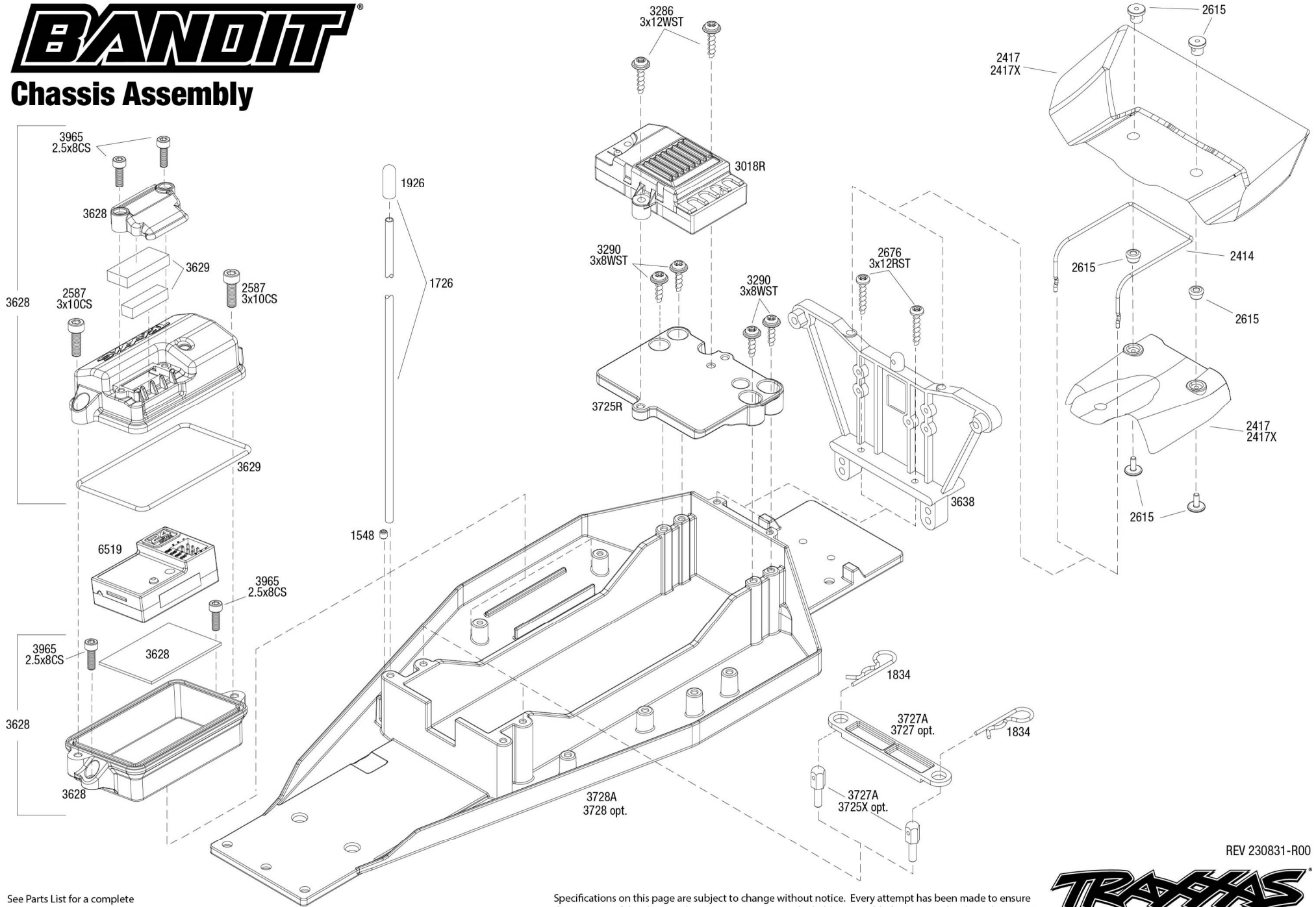


# BANDIT<sup>®</sup>

## Chassis Assembly



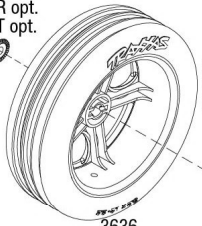
See Parts List for a complete listing of optional accessories.

Specifications on this page are subject to change without notice. Every attempt has been made to ensure the accuracy of this drawing; however, Traxxas cannot be held responsible for typographical or other errors.

REV 230831-R00

# TRAXXAS<sup>®</sup>

4.0NL  
3647  
1747A opt.  
1747G opt.  
1747P opt.  
1747R opt.  
1747T opt.



2471R  
2479R opt.  
2479A opt.

1985  
5x8x0.5TW

3636  
3636A opt.  
3636X opt.  
3636G opt.  
3636P opt.  
3636T opt.

2.5x31.5

2593  
3x14 BCS

3760A  
2660 opt.

3642  
3x12x5SS

2742

2745  
3.0NL

2742

1937  
54MM

2745  
3.0NL

2742

3642  
3x12x5SS

2746

3288  
3x15WST

2593  
3x14 BCS

8361

3186  
3x12WM

2537  
28mm  
Threaded Rod

3187  
3x15WM

2742

3290  
3x8WST

2745  
3.0NL

2675  
3x10RST

3744

1942  
2742X

Use #1666 silicone shock oil

2362

3767

F-2458A  
2458

R-2457A  
2457

2457P opt.

2362

3768

1765  
E

3768  
E

8361

F-1664  
1664T opt.

R-2765  
2765T opt.

3769

F-3765A  
R-3766A

3768

2563  
3x15RM

2637  
31.5MM

2735  
2735P opt.

2548  
4x12CM

3739  
40MM

2530A  
2530 opt.

2531X  
2531A opt.  
2531G opt.

2531L opt.  
2531R opt.  
2531T opt.

2746  
3x6MM

2441A  
2441  
67MM

3642  
3x12x5SS

2746  
3x6MM

2742

3186  
3x12WM

3743  
3743A opt.  
3743G opt.  
3743P opt.  
3743T opt.  
3743X opt.

3742

1985  
5x8x0.5TW

2056  
2075 opt.

3290  
3x8WST

3729A  
3729 opt.

2648  
3x12CST

3167  
4x15CM

1834

2530A  
(Shown for Clarity)

2735  
2735P opt.

2548  
4x12CM

3739  
40MM

2530A  
2530 opt.

2531X  
2531A opt.  
2531G opt.

2531L opt.  
2531R opt.  
2531T opt.

2746  
3x6MM

2441A  
2441  
67MM

3642  
3x12x5SS

2746  
3x6MM

2742

3186  
3x12WM

3743  
3743A opt.  
3743G opt.  
3743P opt.  
3743T opt.  
3743X opt.

3742

1985  
5x8x0.5TW

2056  
2075 opt.

3290  
3x8WST

3729A  
3729 opt.

2648  
3x12CST

3167  
4x15CM

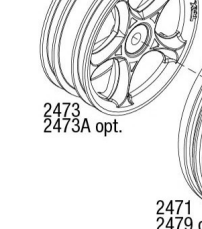
1834

2530A  
(Shown for Clarity)

2473  
2473A opt.

4.0NL  
3647  
1747A opt.  
1747G opt.  
1747P opt.  
1747R opt.  
1747T opt.

2471  
2479 opt.



REV 230831-R00

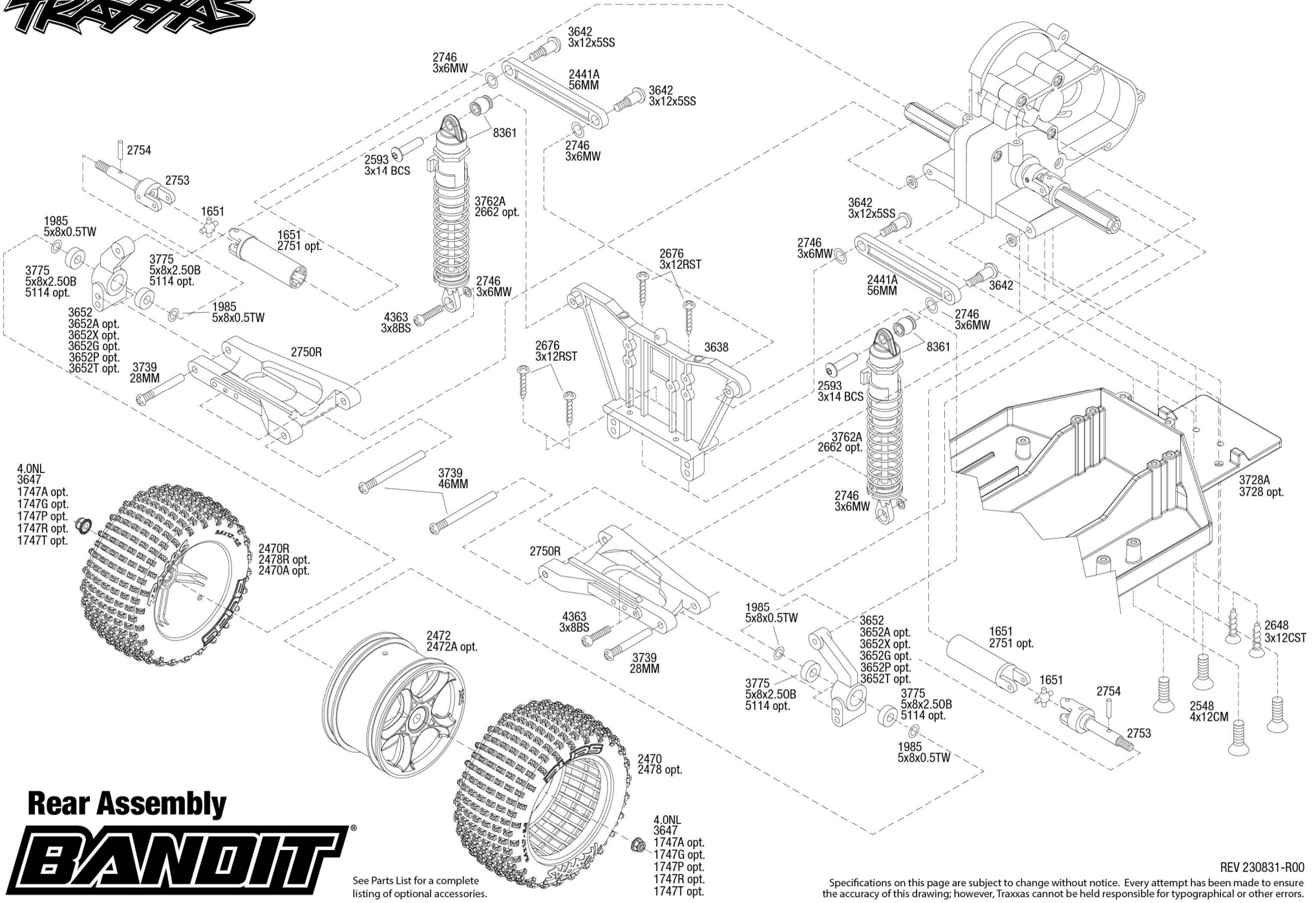


Specifications on this page are subject to change without notice. Every attempt has been made to ensure the accuracy of this drawing; however, Traxxas cannot be held responsible for typographical or other errors.

See Parts List for a complete listing of optional accessories.

Front Assembly





# Rear Assembly

# BANDIT

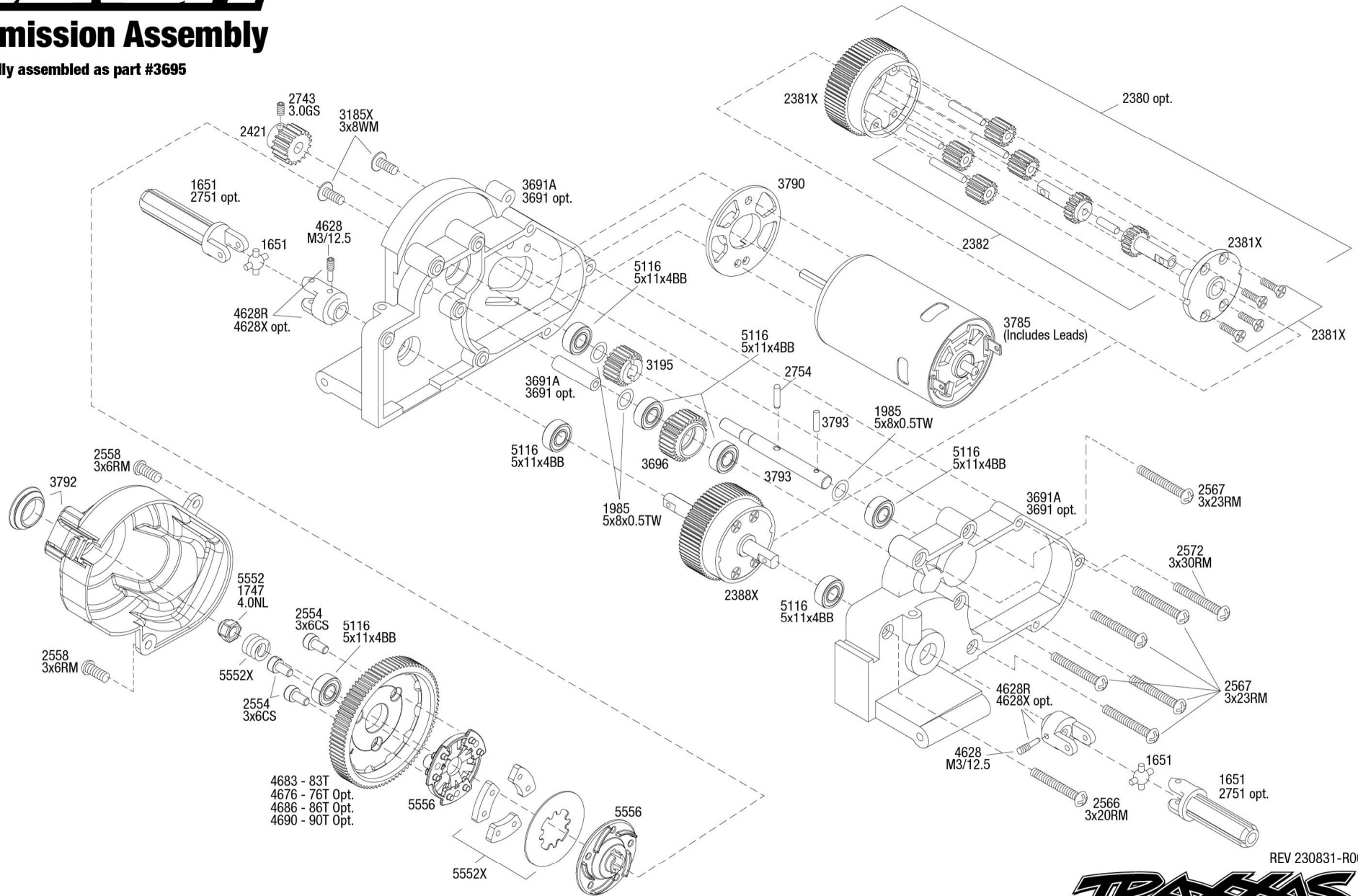
See Parts List for a complete listing of optional accessories.

REV 230831-R00  
 Specifications on this page are subject to change without notice. Every attempt has been made to ensure the accuracy of this drawing; however, Traxxas cannot be held responsible for typographical or other errors.

# BANDIT<sup>®</sup>

## Transmission Assembly

Available fully assembled as part #3695



REV 230831-R00

# TRAXXAS<sup>®</sup>

See Parts List for a complete listing of optional accessories.

Specifications on this page are subject to change without notice. Every attempt has been made to ensure the accuracy of this drawing; however, Traxxas cannot be held responsible for typographical or other errors.