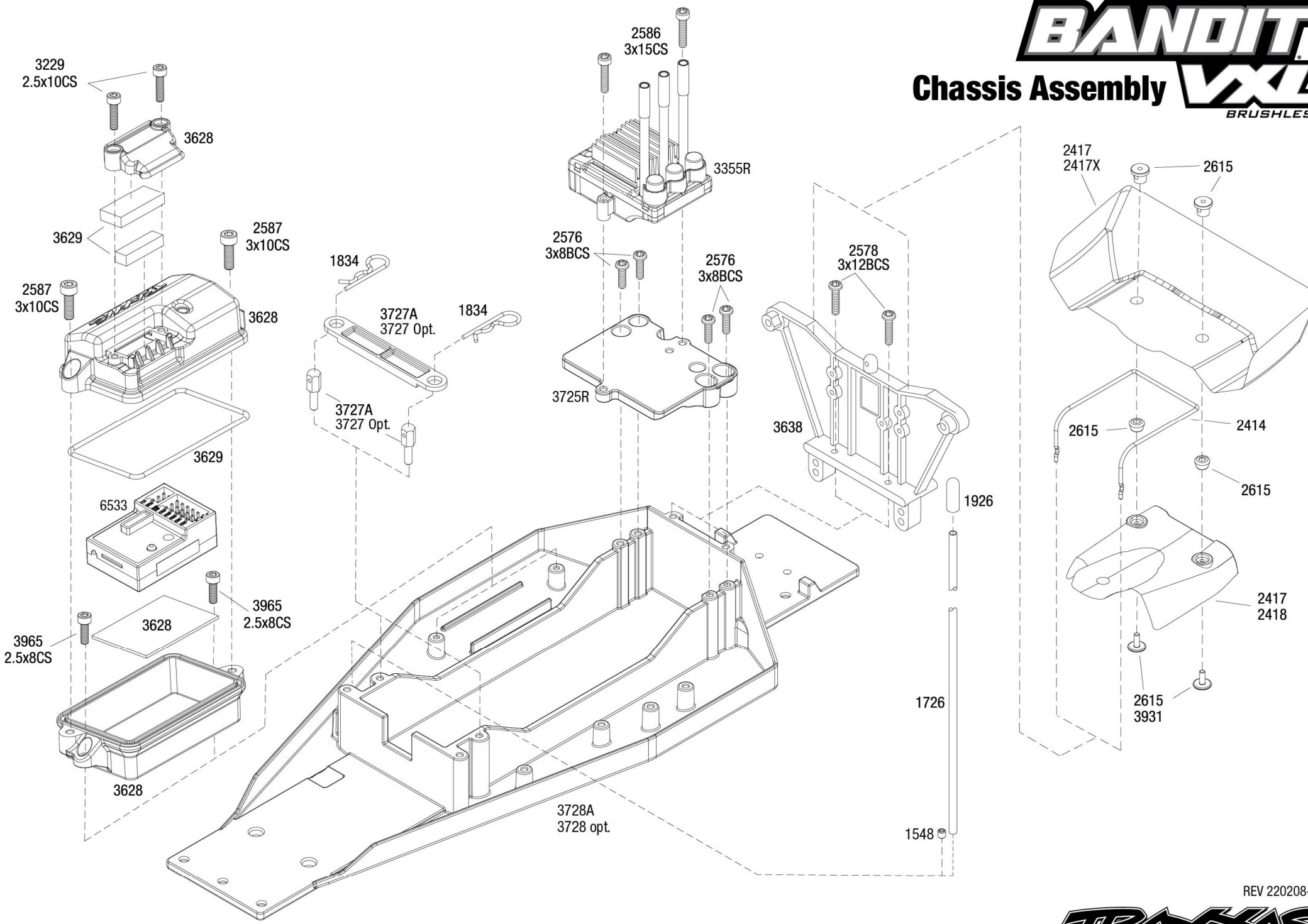


BANDIT

Chassis Assembly

BRUSHLESS



ifications on this page are subject to change without notice. Every attempt has been made to ensure accuracy of this drawing; however, Traxxas cannot be held responsible for typographical or other errors.

See Parts List for a complete listing of optional accessories.

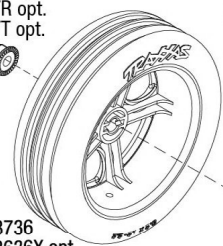
REV 220208-F





- 3647
- 747A opt.
- 747G opt.
- 747P opt.
- 747R opt.
- 747T opt.

- 2471T
- 2471A opt.
- 2471G opt.
- 2471R opt.
- 2479A opt.
- 2479G opt.
- 2479R opt.
- 2479T opt.



- 3736
- 3636X opt.
- 3636A opt.
- 3636G opt.
- 3636P opt.
- 3636T opt.

- 5116
- 5x11x4BB

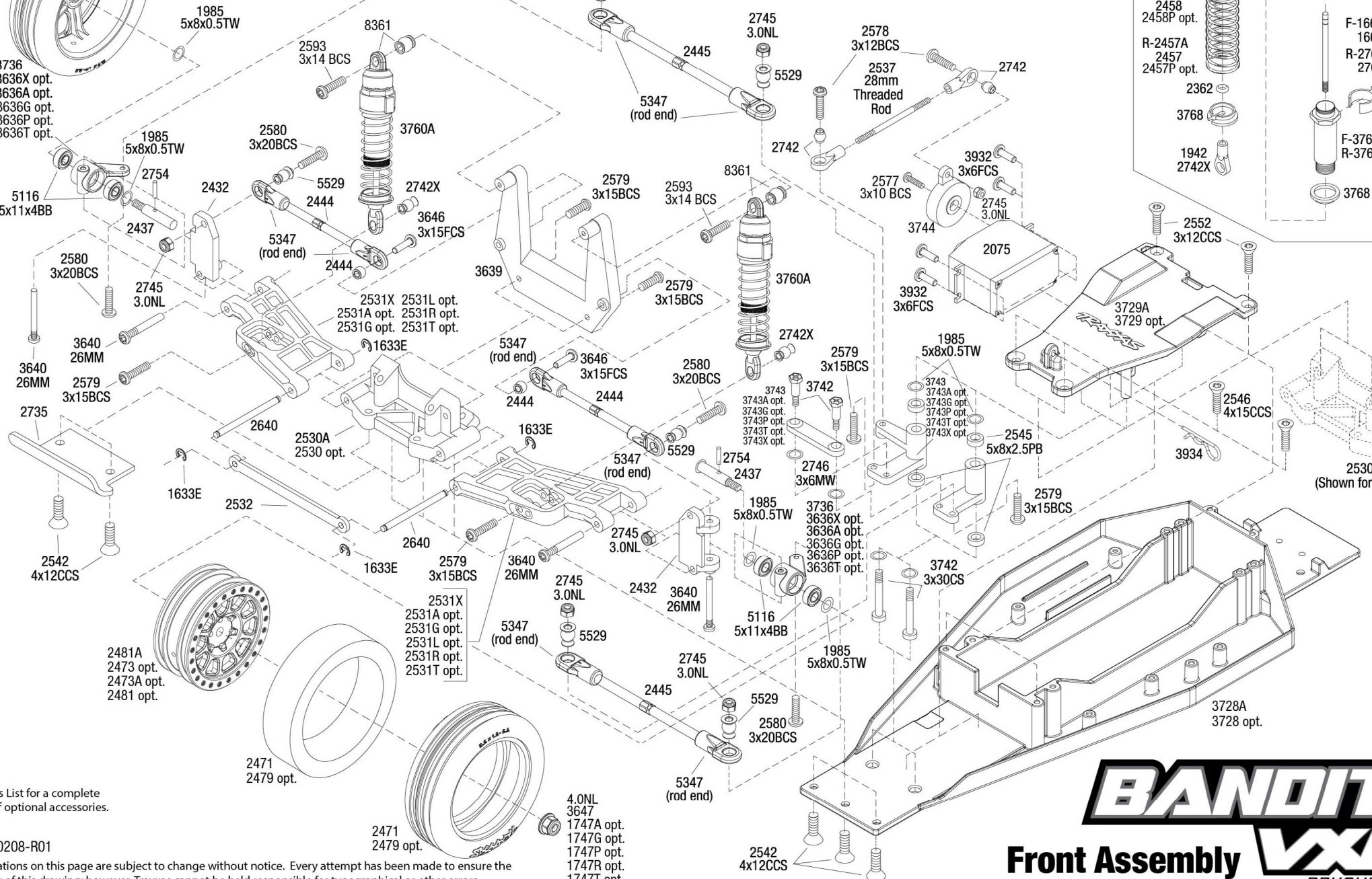
- 3640
- 26MM

- 2481A
- 2473 opt.
- 2473A opt.
- 2481 opt.

Parts List for a complete
ing of optional accessories.

220208-R01

ifications on this page are subject to change without notice. Every attempt has been made to ensure the
racy of this drawing; however, Traxxas cannot be held responsible for typographical or other errors.



- 1985
- 5x8x0.5TW

- 1985
- 5x8x0.5TW

- 1633E

- 2471
- 2479 opt.

- 2471
- 2479 opt.

- 2745
- 3.0NL

- 4.0NL
- 3647
- 1747A opt.
- 1747G opt.
- 1747P opt.
- 1747R opt.
- 1747T opt.

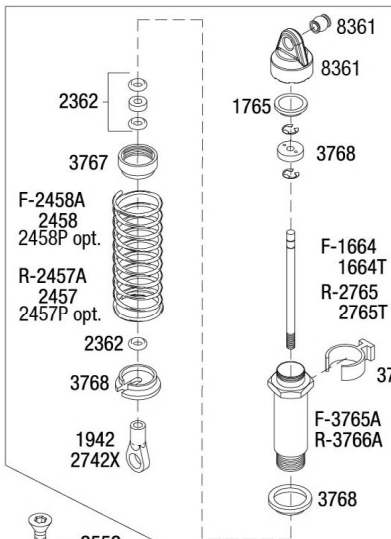
- 2745
- 3.0NL

- 2745
- 3.0NL

- 2745
- 3.0NL

- 2745
- 3.0NL

- 2542
- 4x12CCS



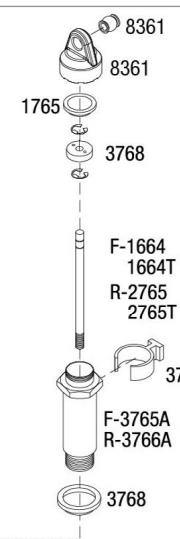
- F-2458A
- 2458
- 2458P opt.
- R-2457A
- 2457
- 2457P opt.

- 2362
- 3768
- 1942
- 2742X

- 2552
- 3x12CCS

- 2546
- 4x15CCS

- 3728A
- 3728 opt.



- 8361
- 8361
- 1765
- 3768
- F-1664
- 1664T
- R-2765
- 2765T

- F-3765A
- R-3766A
- 3768

- 2530A
- (Shown for Clari

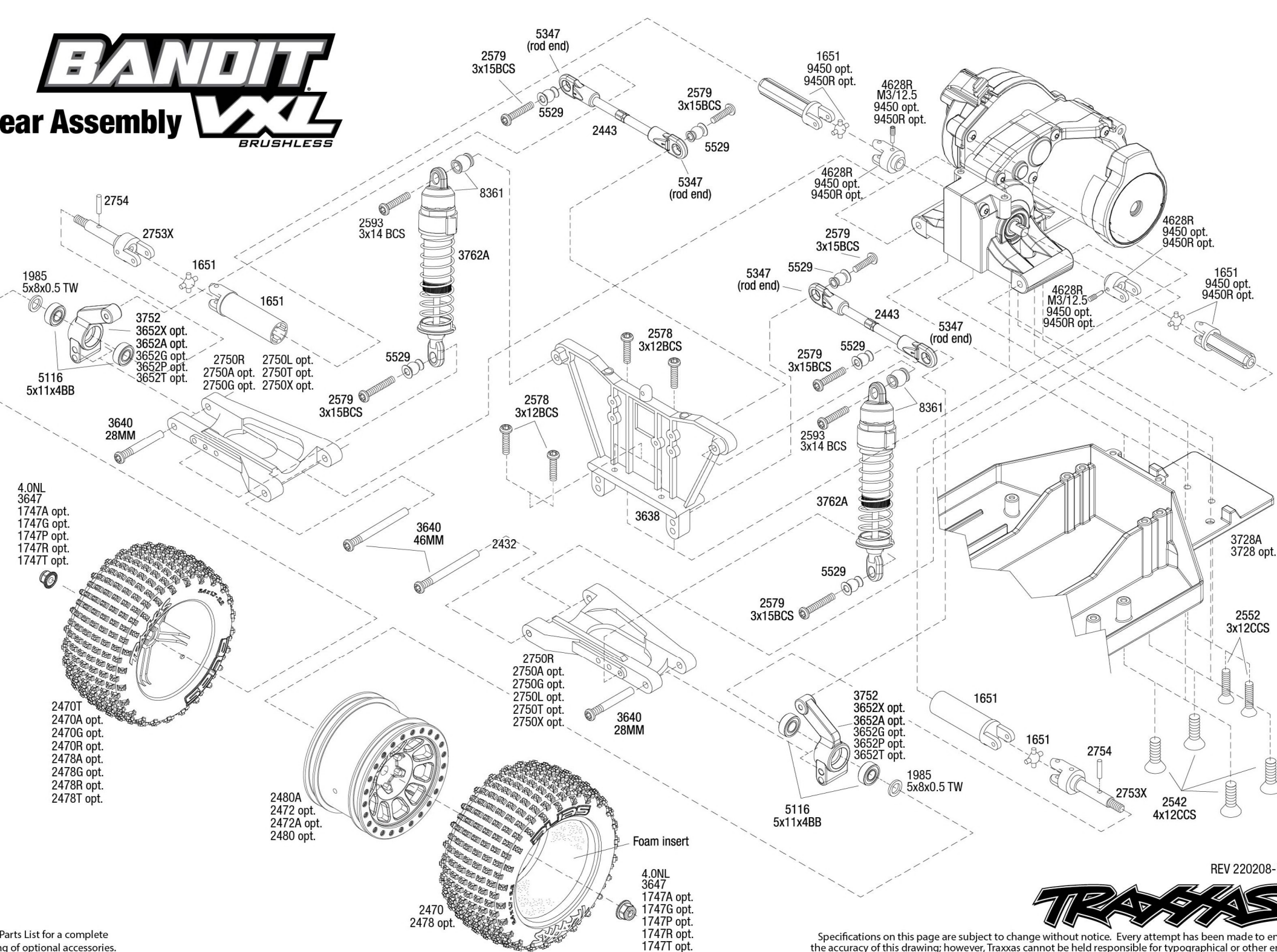


Front Assembly

BANDIT VXL

BRUSHLESS

ear Assembly



Parts List for a complete
ing of optional accessories.

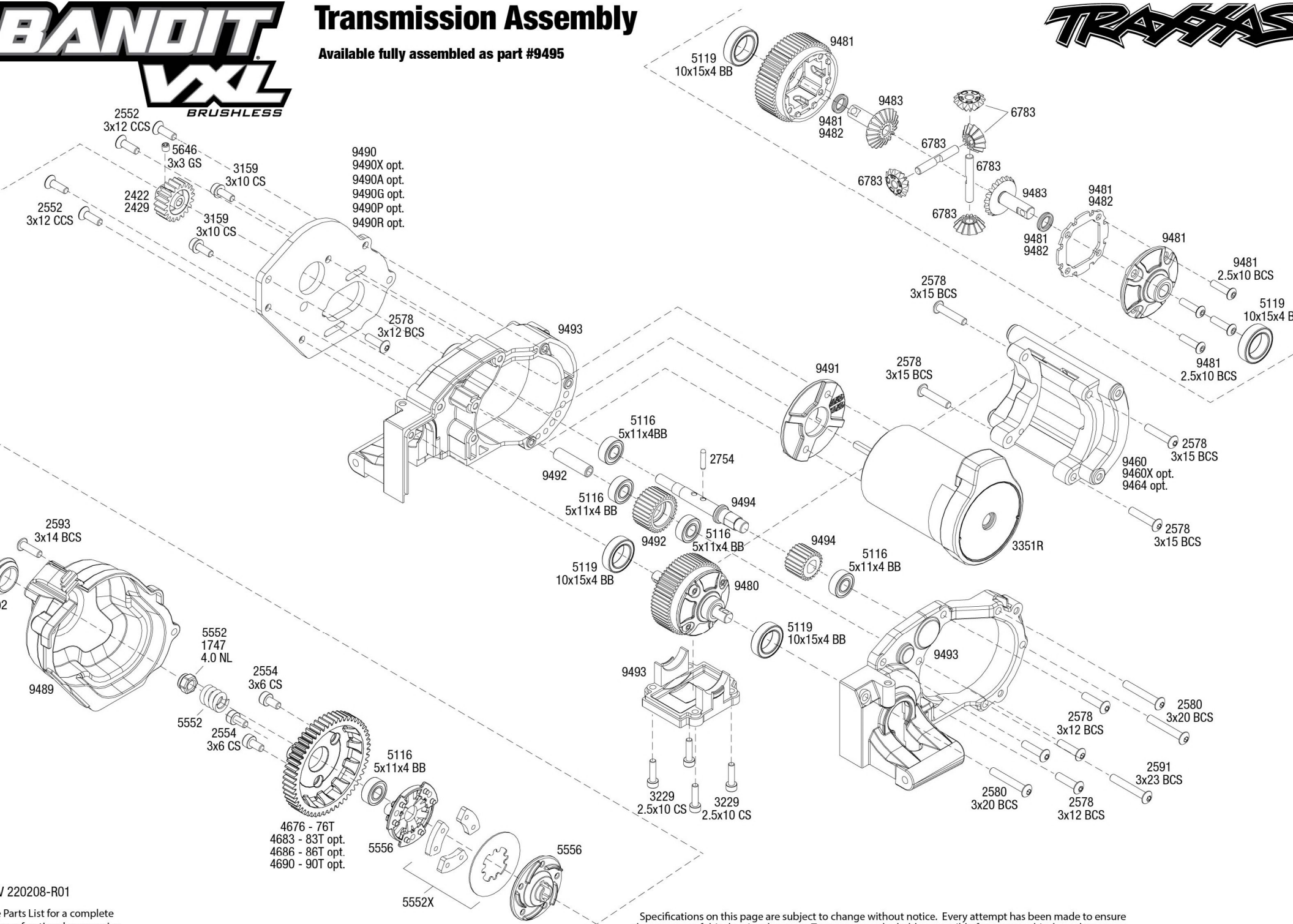
Specifications on this page are subject to change without notice. Every attempt has been made to en
the accuracy of this drawing; however, Traxxas cannot be held responsible for typographical or other er

REV 220208-

TRAXXAS

Transmission Assembly

Available fully assembled as part #9495



220208-R01

Parts List for a complete
ing of optional accessories.

Specifications on this page are subject to change without notice. Every attempt has been made to ensure the accuracy of this drawing; however, Traxxas cannot be held responsible for typographical or other errors.