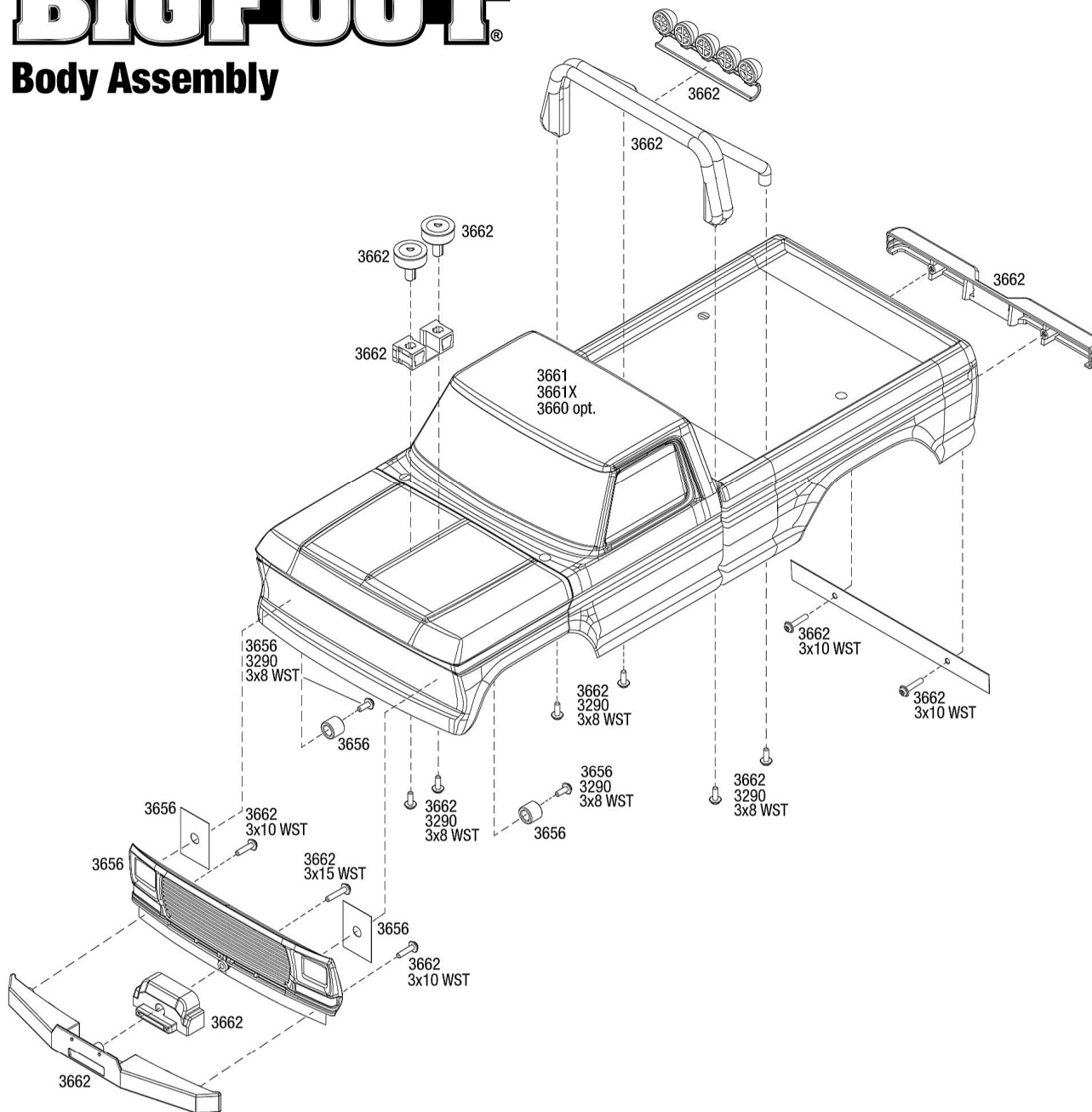


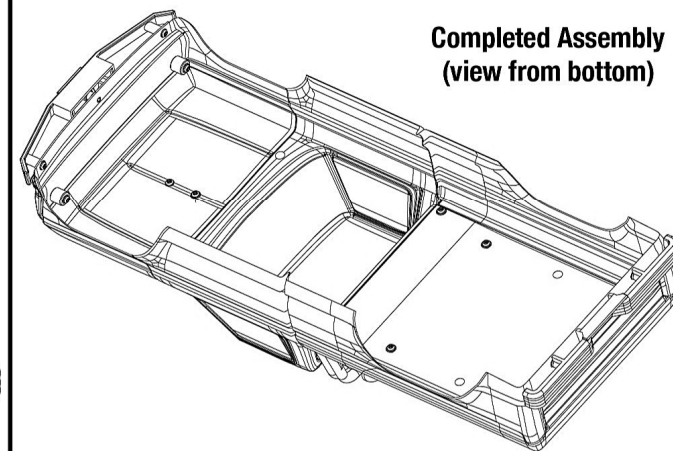
BIGFOOT®

Body Assembly



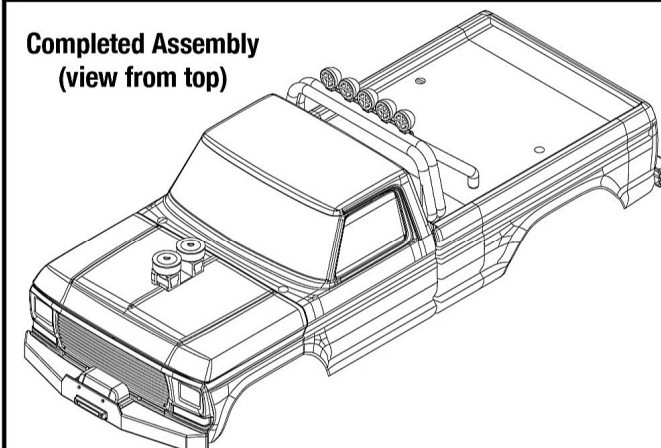
TRAXXAS®

**Completed Assembly
(view from bottom)**



- 3660 Body, Bigfoot® No. 1, Officially Licensed replica (clear, requires painting)/ window masks/ decal sheet
- 3661 Body, Bigfoot® No. 1, Officially Licensed replica (painted, decals applied)
- 3661X Body, Bigfoot® No. 1, blue-x, Officially Licensed replica (painted, decals applied)
- 3656 Grill, Bigfoot® No. 1 (chrome)/ decals/ adhesive tape/ mounting hardware
- 3662 Body accessories kit, Bigfoot® No. 1 (includes winch, front and rear bumpers, roll bar, light bar, engine detail, & mounting hardware) (grill sold separately)

**Completed Assembly
(view from top)**



- 3660 Body, Bigfoot® No. 1, Officially Licensed replica (clear, requires painting)/ window masks/ decal sheet
- 3661 Body, Bigfoot® No. 1, Officially Licensed replica (painted, decals applied)
- 3661X Body, Bigfoot® No. 1, blue-x, Officially Licensed replica (painted, decals applied)
- 3656 Grill, Bigfoot® No. 1 (chrome)/ decals/ adhesive tape/ mounting hardware
- 3662 Body accessories kit, Bigfoot® No. 1 (includes winch, front and rear bumpers, roll bar, light bar, engine detail, & mounting hardware) (grill sold separately)

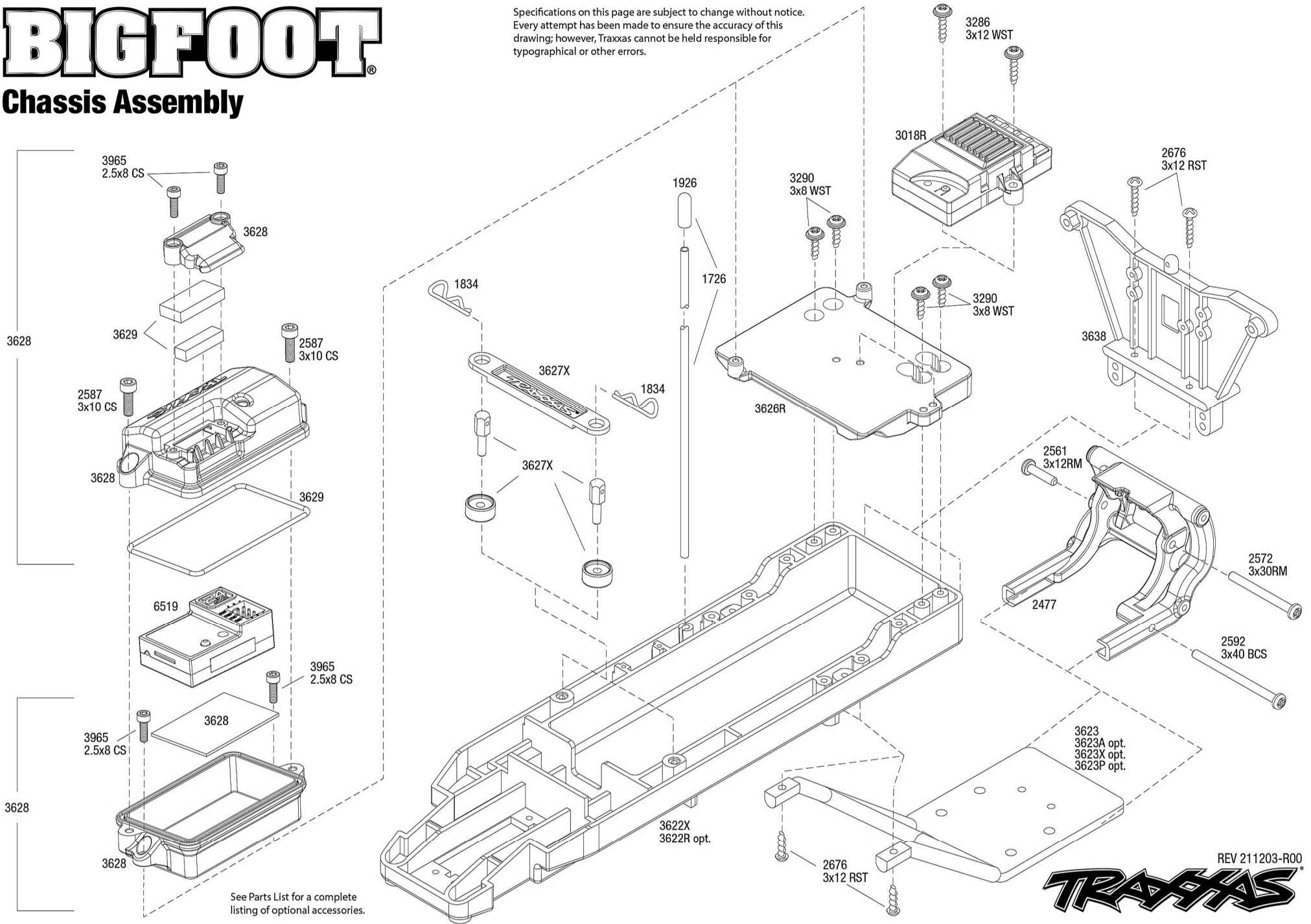
See Parts List for a complete listing of optional accessories.

REV 211203-R00
Specifications on this page are subject to change without notice. Every attempt has been made to ensure the accuracy of this drawing; however, Traxxas cannot be held responsible for typographical or other errors.

BIGFOOT®

Chassis Assembly

Specifications on this page are subject to change without notice. Every attempt has been made to ensure the accuracy of this drawing; however, Traxxas cannot be held responsible for typographical or other errors.



REV 211203-R00

TRAXXAS

4.0NL
3647
1747A opt.
1747G opt.
1747P opt.
1747R opt.
1747T opt.

3665X
3665 opt.
3669 opt.
3669A opt.

3736
3636X opt.
3636A opt.
3636G opt.
3636P opt.
3636T opt.

1985
5x8x0.5 PTW

1675
5x11x4 OB
5116 opt.

3631
3631A opt.
3631G opt.
3631L opt.
3631R opt.
3631T opt.
3631X opt.

2560
3x10 RM

2559
3x8 RM

2559
3x8 RM

3666
5576 opt.
5576A opt.
3673 opt.
3675 opt.

3667
3671 opt.
6770 opt.

3667

REV 211203-R00
TRAXXAS

3186
3x12 WM

2742

2336
78mm

2593
3x14 BCS

3740
31.5mm

3642
3x12x5 SS

3641
69mm
3641A opt.

3630

2563
3x15 RM

3739
40mm

3739
40mm

3739
40mm

3739
40mm

3739
40mm

3739
40mm

3739
40mm

3739
40mm

3739
40mm

3187
3x15 WM

2742

2336
78mm

2593
3x14 BCS

3740
31.5mm

3642
3x12x5 SS

3641
69mm
3641A opt.

3630

2563
3x15 RM

3739
40mm

3739
40mm

3739
40mm

3739
40mm

3739
40mm

3739
40mm

3739
40mm

3739
40mm

3739
40mm

3187
3x15 WM

2742

2336
78mm

2593
3x14 BCS

3740
31.5mm

3642
3x12x5 SS

3641
69mm
3641A opt.

3630

2563
3x15 RM

3739
40mm

3739
40mm

3739
40mm

3739
40mm

3739
40mm

3739
40mm

3739
40mm

3739
40mm

3739
40mm

3187
3x15 WM

2742

2336
78mm

2593
3x14 BCS

3740
31.5mm

3642
3x12x5 SS

3641
69mm
3641A opt.

3630

2563
3x15 RM

3739
40mm

3739
40mm

3739
40mm

3739
40mm

3739
40mm

3739
40mm

3739
40mm

3739
40mm

3739
40mm

3187
3x15 WM

2742

2336
78mm

2593
3x14 BCS

3740
31.5mm

3642
3x12x5 SS

3641
69mm
3641A opt.

3630

2563
3x15 RM

3739
40mm

3739
40mm

3739
40mm

3739
40mm

3739
40mm

3739
40mm

3739
40mm

3739
40mm

3739
40mm

3187
3x15 WM

2742

2336
78mm

2593
3x14 BCS

3740
31.5mm

3642
3x12x5 SS

3641
69mm
3641A opt.

3630

2563
3x15 RM

3739
40mm

3739
40mm

3739
40mm

3739
40mm

3739
40mm

3739
40mm

3739
40mm

3739
40mm

3739
40mm

3187
3x15 WM

2742

2336
78mm

2593
3x14 BCS

3740
31.5mm

3642
3x12x5 SS

3641
69mm
3641A opt.

3630

2563
3x15 RM

3739
40mm

3739
40mm

3739
40mm

3739
40mm

3739
40mm

3739
40mm

3739
40mm

3739
40mm

3739
40mm

3187
3x15 WM

2742

2336
78mm

2593
3x14 BCS

3740
31.5mm

3642
3x12x5 SS

3641
69mm
3641A opt.

3630

2563
3x15 RM

3739
40mm

3739
40mm

3739
40mm

3739
40mm

3739
40mm

3739
40mm

3739
40mm

3739
40mm

3739
40mm

3187
3x15 WM

2742

2336
78mm

2593
3x14 BCS

3740
31.5mm

3642
3x12x5 SS

3641
69mm
3641A opt.

3630

2563
3x15 RM

3739
40mm

3739
40mm

3739
40mm

3739
40mm

3739
40mm

3739
40mm

3739
40mm

3739
40mm

3739
40mm

F-3758X
3758A opt.
3758R opt.
3758T opt.
3758P opt.

R-3757X
3757A opt.
3757R opt.
3757T opt.
3757P opt.

3768

1942
2742X

3290
3x8 WST

2056
2075 opt.

3622X
3622R opt.

3623
3623A opt.
3623X opt.
3623P opt.

2548
4x12cm

2676
3x12 RST

2676
3x12 RST

2676
3x12 RST

2676
3x12 RST

2676
3x12 RST

2676
3x12 RST

8361
8361
E
3768
E
Limiter,
Rear only
F-1664
1664T opt.
R-2656
2656T opt.

3769
F-3765A
R-3766A

3768

1942
2742X

3290
3x8 WST

2056
2075 opt.

3622X
3622R opt.

3623
3623A opt.
3623X opt.
3623P opt.

2548
4x12cm

2676
3x12 RST

2676
3x12 RST

2676
3x12 RST

2676
3x12 RST

2676
3x12 RST

2676
3x12 RST

See Parts List for a complete listing of optional accessories.

Front Assembly

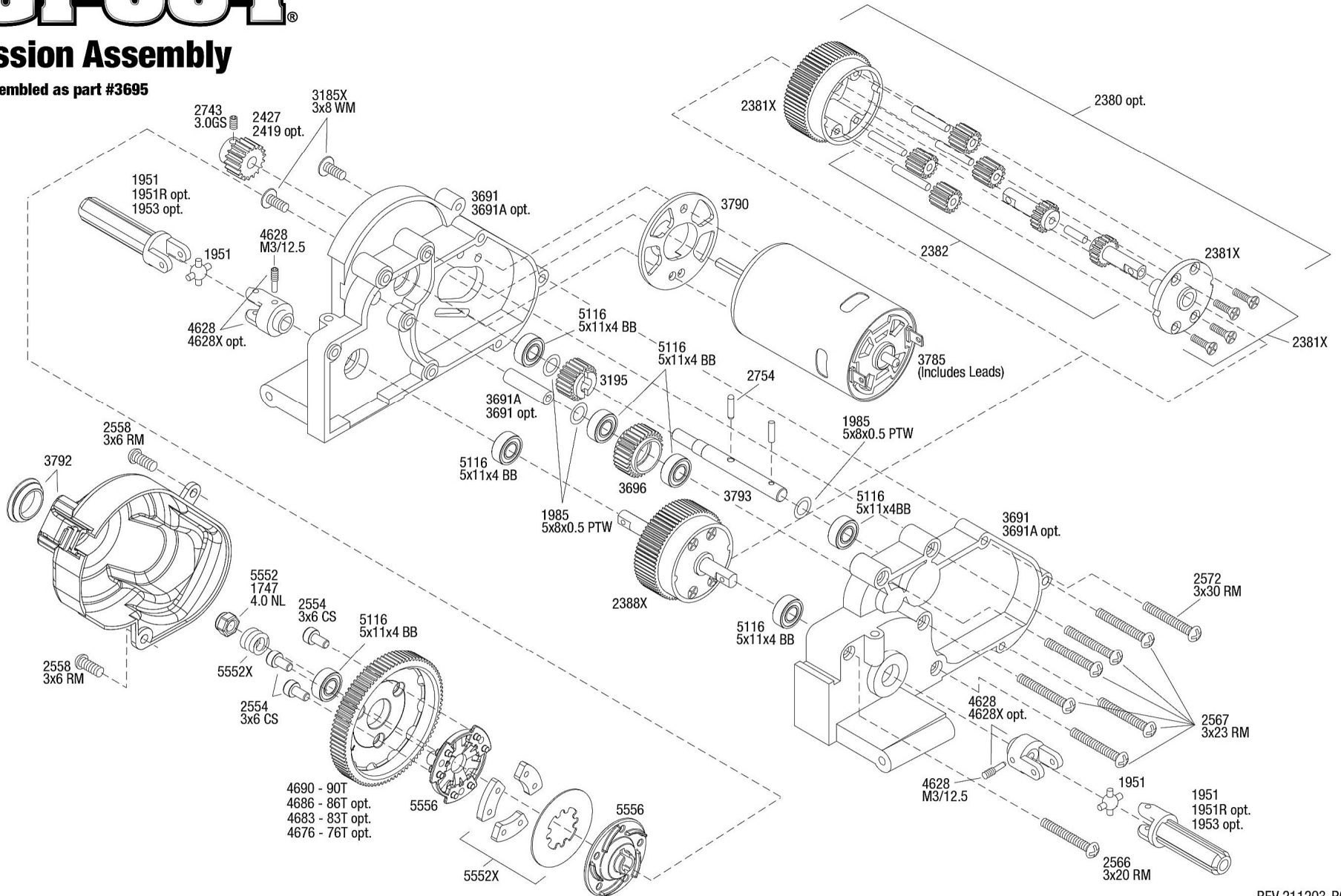
BIGFOOT

Specifications on this page are subject to change without notice. Every attempt has been made to ensure the accuracy of this drawing; however, Traxxas cannot be held responsible for typographical or other errors.

BIGFOOT®

Transmission Assembly

Available fully assembled as part #3695



See Parts List for a complete listing of optional accessories.

Specifications on this page are subject to change without notice. Every attempt has been made to ensure the accuracy of this drawing; however, Traxxas cannot be held responsible for typographical or other errors.

REV 211203-R00

