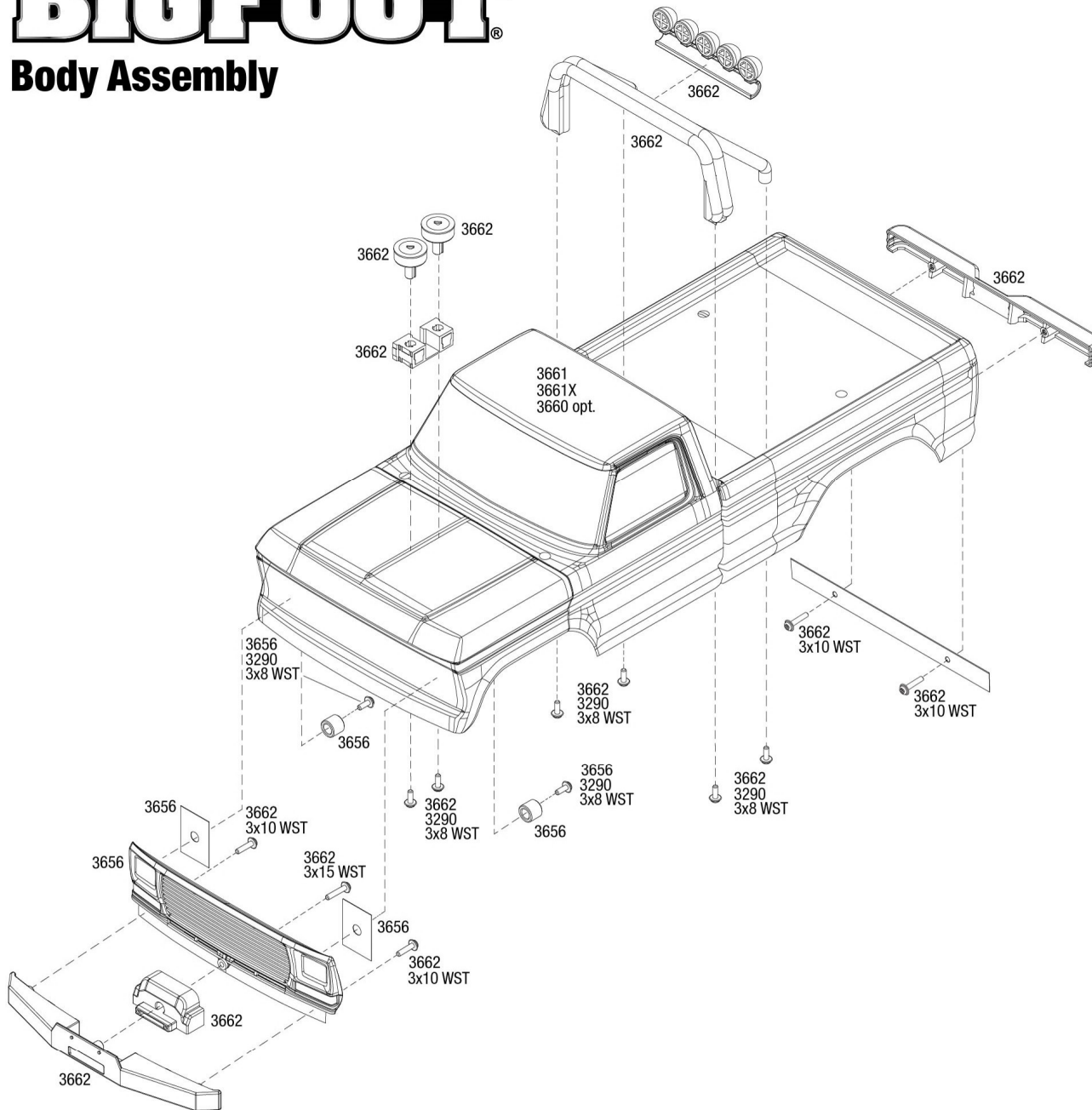
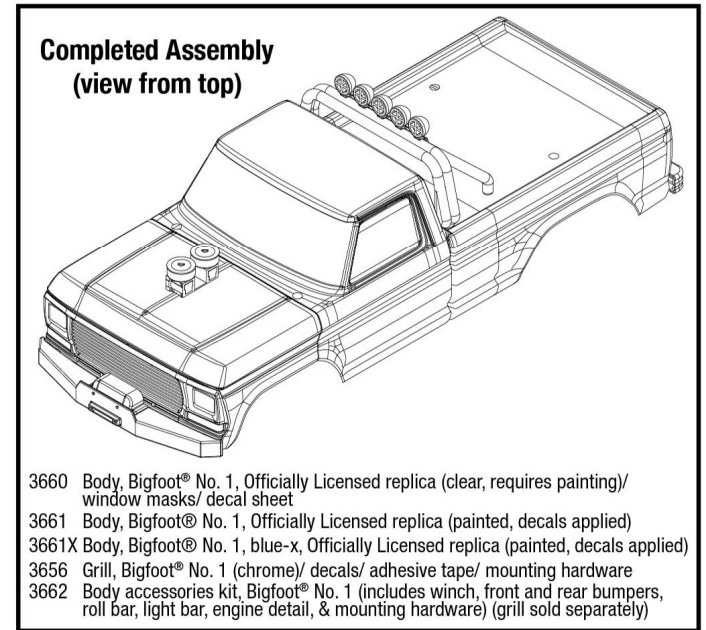
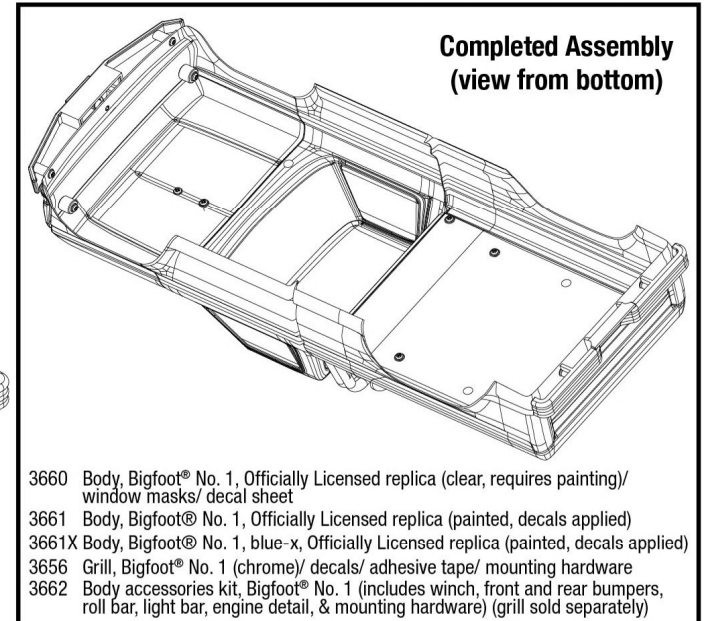


BIGFOOT®

Body Assembly



See Parts List for a complete listing of optional accessories.



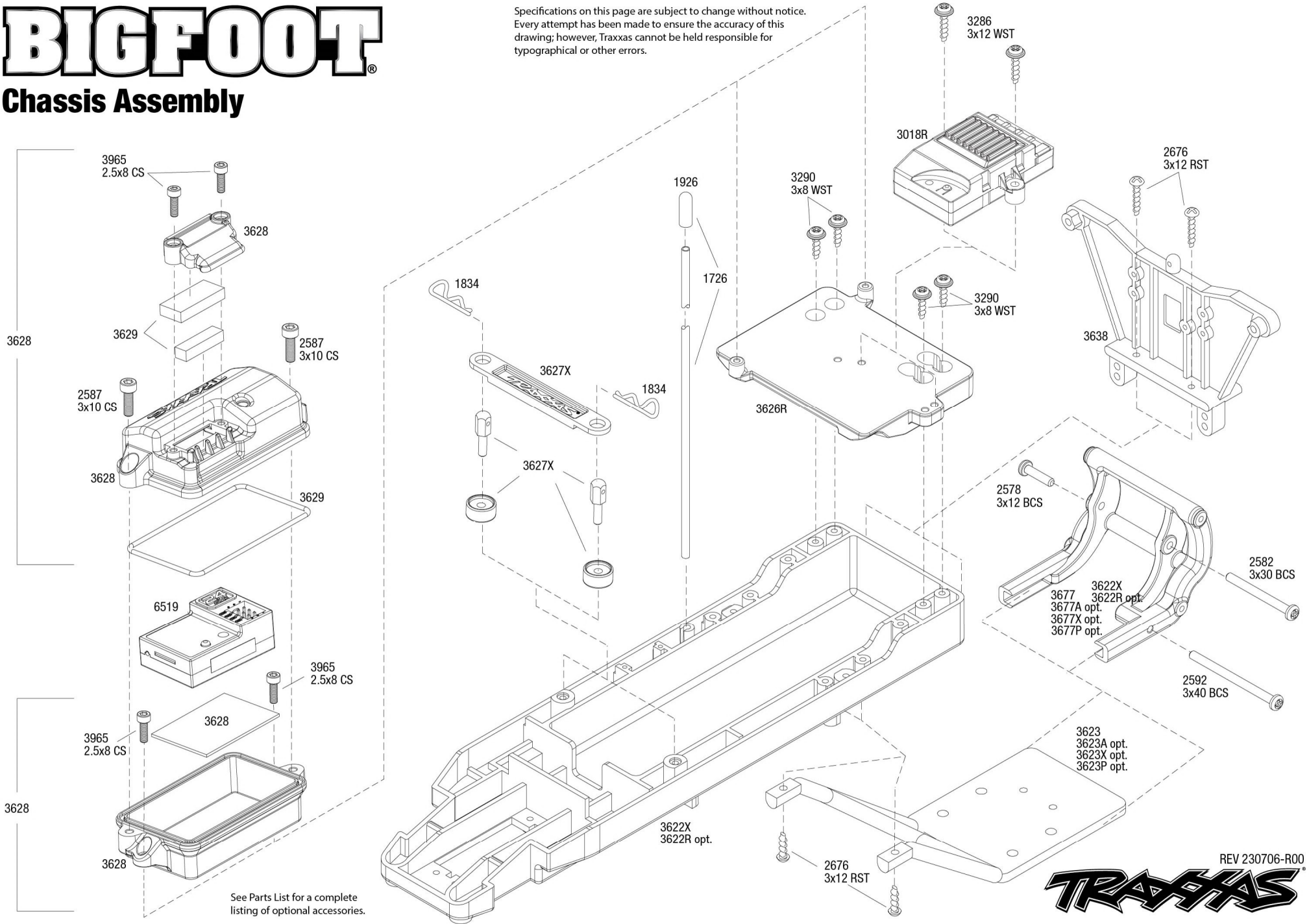
REV 230706-R00

Specifications on this page are subject to change without notice. Every attempt has been made to ensure the accuracy of this drawing; however, Traxxas cannot be held responsible for typographical or other errors.

BIGFOOT®

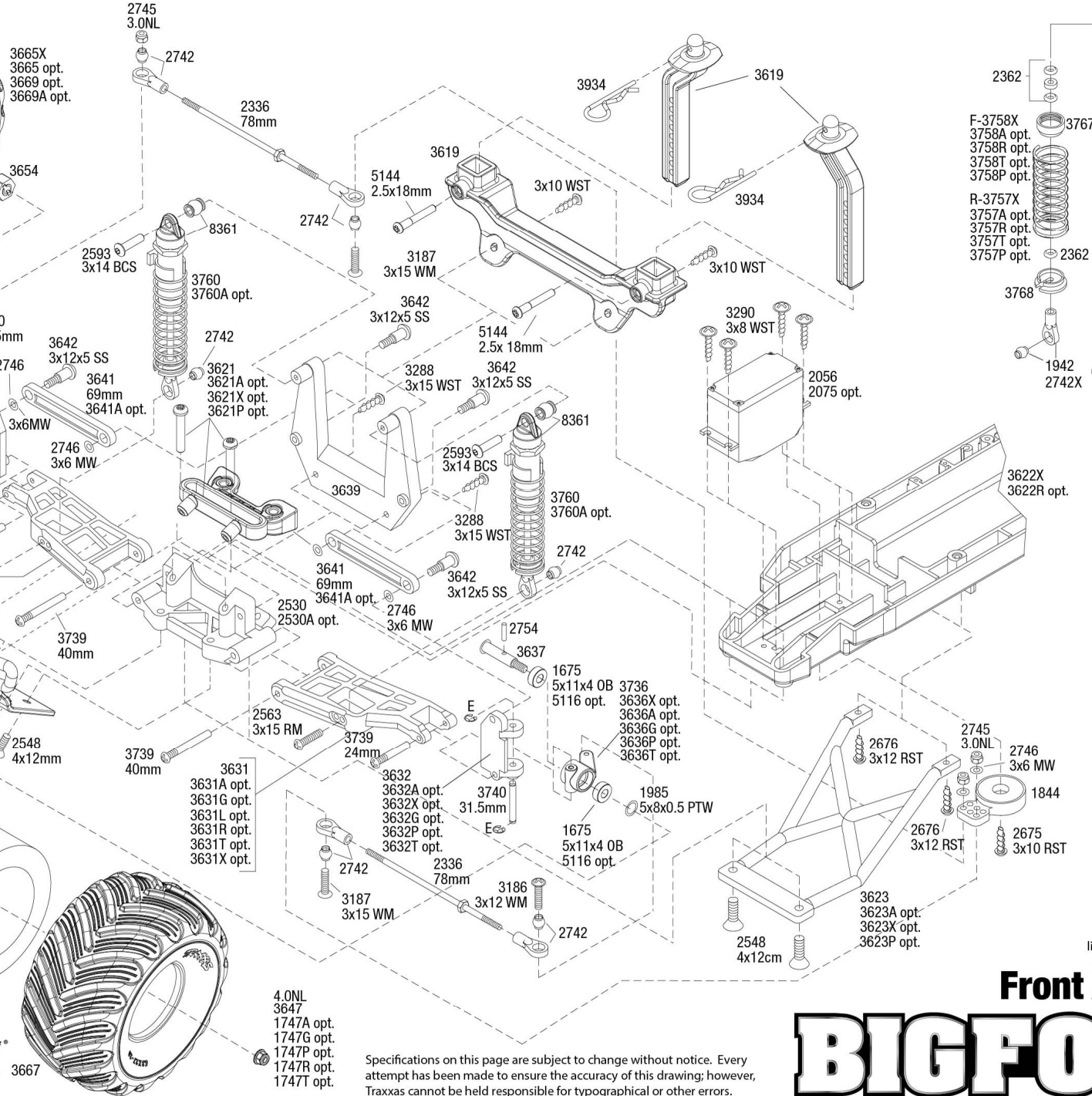
Chassis Assembly

Specifications on this page are subject to change without notice. Every attempt has been made to ensure the accuracy of this drawing; however, Traxxas cannot be held responsible for typographical or other errors.



See Parts List for a complete listing of optional accessories.

4.0NL
3647
1747A opt.
1747G opt.
1747P opt.
1747R opt.
1747T opt.



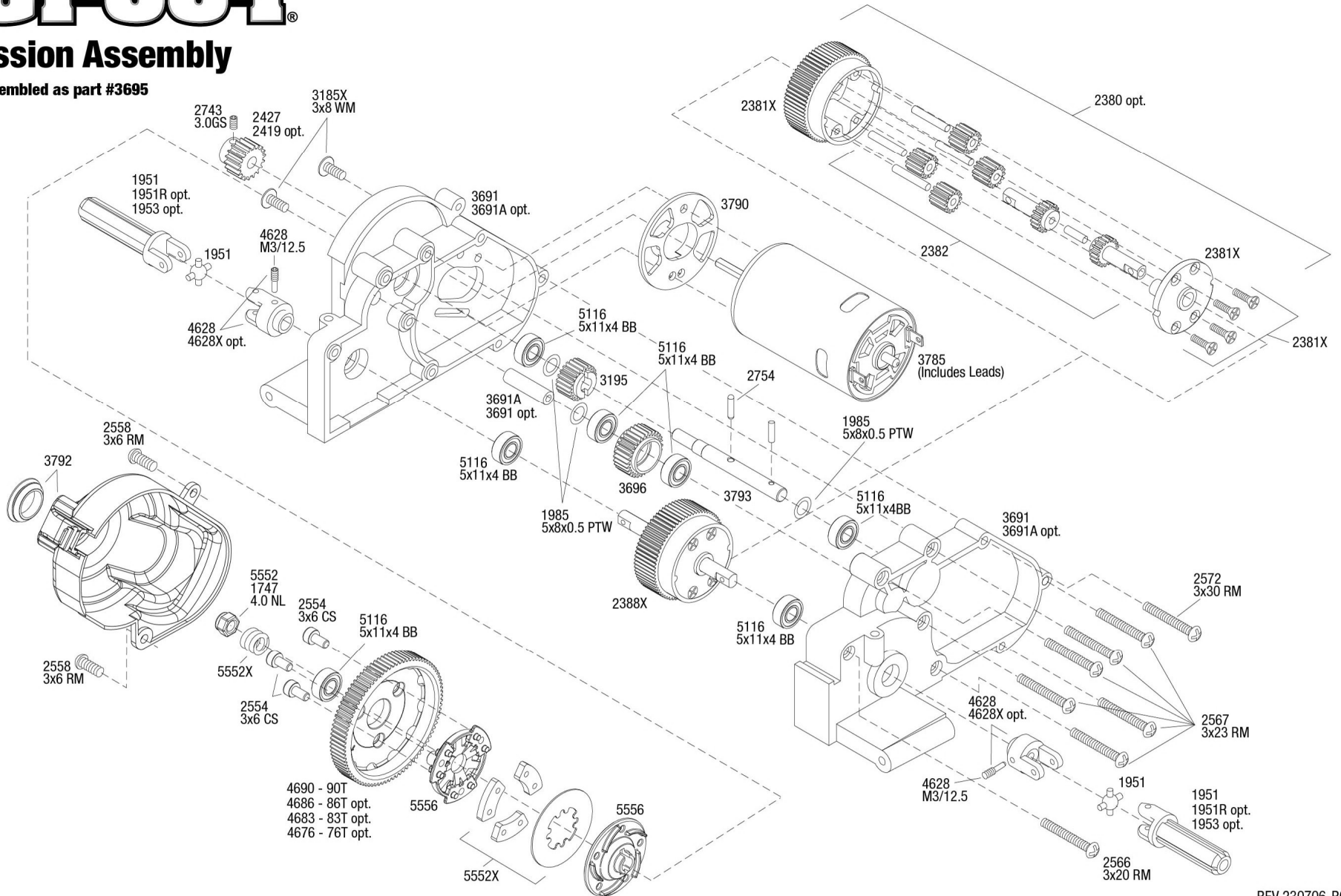
See Parts List for a complete listing of optional accessories.

Specifications on this page are subject to change without notice. Every attempt has been made to ensure the accuracy of this drawing; however, Traxxas cannot be held responsible for typographical or other errors.

BIGFOOT®

Transmission Assembly

Available fully assembled as part #3695



See Parts List for a complete listing of optional accessories.

Specifications on this page are subject to change without notice. Every attempt has been made to ensure the accuracy of this drawing; however, Traxxas cannot be held responsible for typographical or other errors.

REV 230706-R00

TRAXXAS