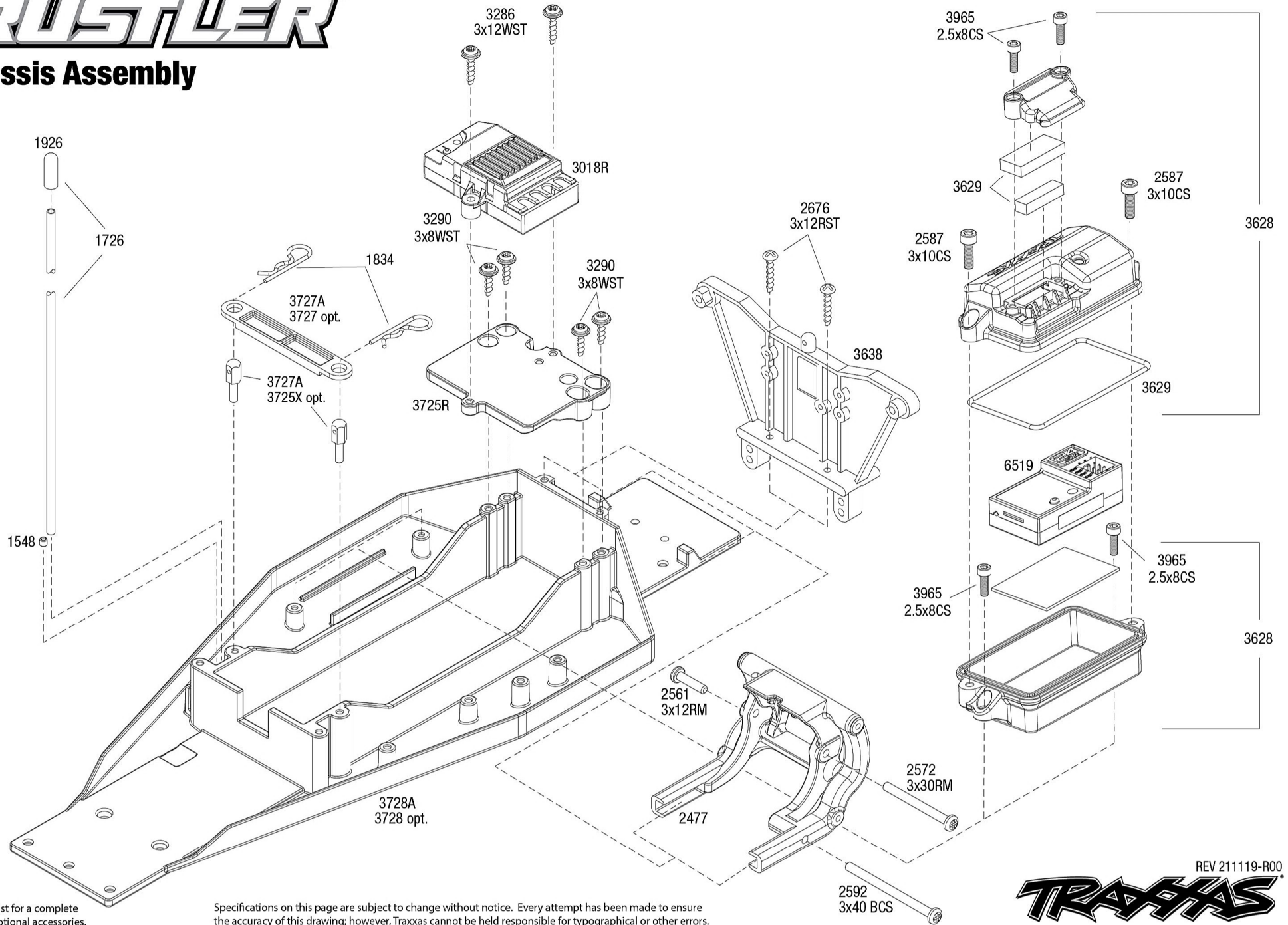


RUSTLER®

Chassis Assembly



See Parts List for a complete listing of optional accessories.

Specifications on this page are subject to change without notice. Every attempt has been made to ensure the accuracy of this drawing; however, Traxxas cannot be held responsible for typographical or other errors.

REV 211119-R00

TRAXXAS

4.0NL
3647
1747R opt.
1747G opt.
1747P opt.

3771X
3771 opt.
3771A opt.
3771R opt.
3776A opt.
5576R opt.

1985
5x8x0.5TW

3736
3636X opt.
3636A opt.
3636G opt.
3636P opt.

2593
3x14 BCS

3642
3x12x5SS

1675
5x11x40B
5116 opt.

2746
3x6MW

3632
3632A opt.
3632X opt.
3632G opt.
3632P opt.

3740
31.5mm

2563
3x15RM

3739
24mm

3739
40mm

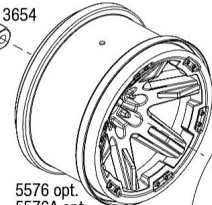
3791

2559
3x8RM

2559
3x8RM

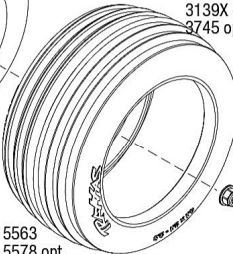
2548
4x12CM

2548
4x12CM



5576 opt.
5576A opt.
3673 opt.
3675 opt.
6772 opt.

5563



5563
5578 opt.

3186
3x12WM

2742
3139
62mm
3139A opt.
3139X opt.
3745 opt.

3186
3x12WM

3288
3x15WST

2593
3x14 BCS

3631
3631A opt.
3631G opt.
3631L opt.
3631R opt.
3631T opt.
3631X opt.

3632
3632A opt.
3632X opt.
3632G opt.
3632P opt.

3739
24mm
3739
40mm

3186
3x12WM
3139
62mm
3139A opt.
3139X opt.
3745 opt.

4.0NL
3647
1747R opt.
1747G opt.
1747P opt.

1834

3x10WST

1914

3x10WST

1914

3187
3x15WM

2537 28mm
Threaded rod

2675
3x10RST

3744

2056
2075 opt.

3290
3x8WST

3290
3x8WST

3742

3743
3743X opt.
3743A opt.
3743P opt.
6845X opt.

1675
5x11x40B
5116 opt.

3736
3636X opt.
3636A opt.
3636G opt.
3636P opt.

2746
3x6MW

2545
5x8x2.5PB
5114 opt.

3743
3743X opt.
3743A opt.
3743P opt.
6845X opt.

2545
5x8x2.5PB
5114 opt.

3742
3x30
SS

3186
3x12WM

2742

2548
4x12CM

2548
4x12CM

See Parts List for a complete listing of optional accessories.

2362

3767

F-2458A
2458P opt.
R-3757X
3757P opt.

2362

3768

1942
2742X

2649
3x12CST

3729A
3729 opt.

3167
4x15CM

1834

2545
5x8x2.5PB
5114 opt.

3743
3743X opt.
3743A opt.
3743P opt.
6845X opt.

2545
5x8x2.5PB
5114 opt.

2746
3x6MW

3728A
3728 opt.

8361

1765
E
3768
E

Limter,
Rear only

F-1664
1664T opt.
R-2656
2656T opt.

F-3765A
R-3766A

3768

Use #1666 silicone shock oil

2530A
(Shown for Clarity)

2530A
(Shown for Clarity)

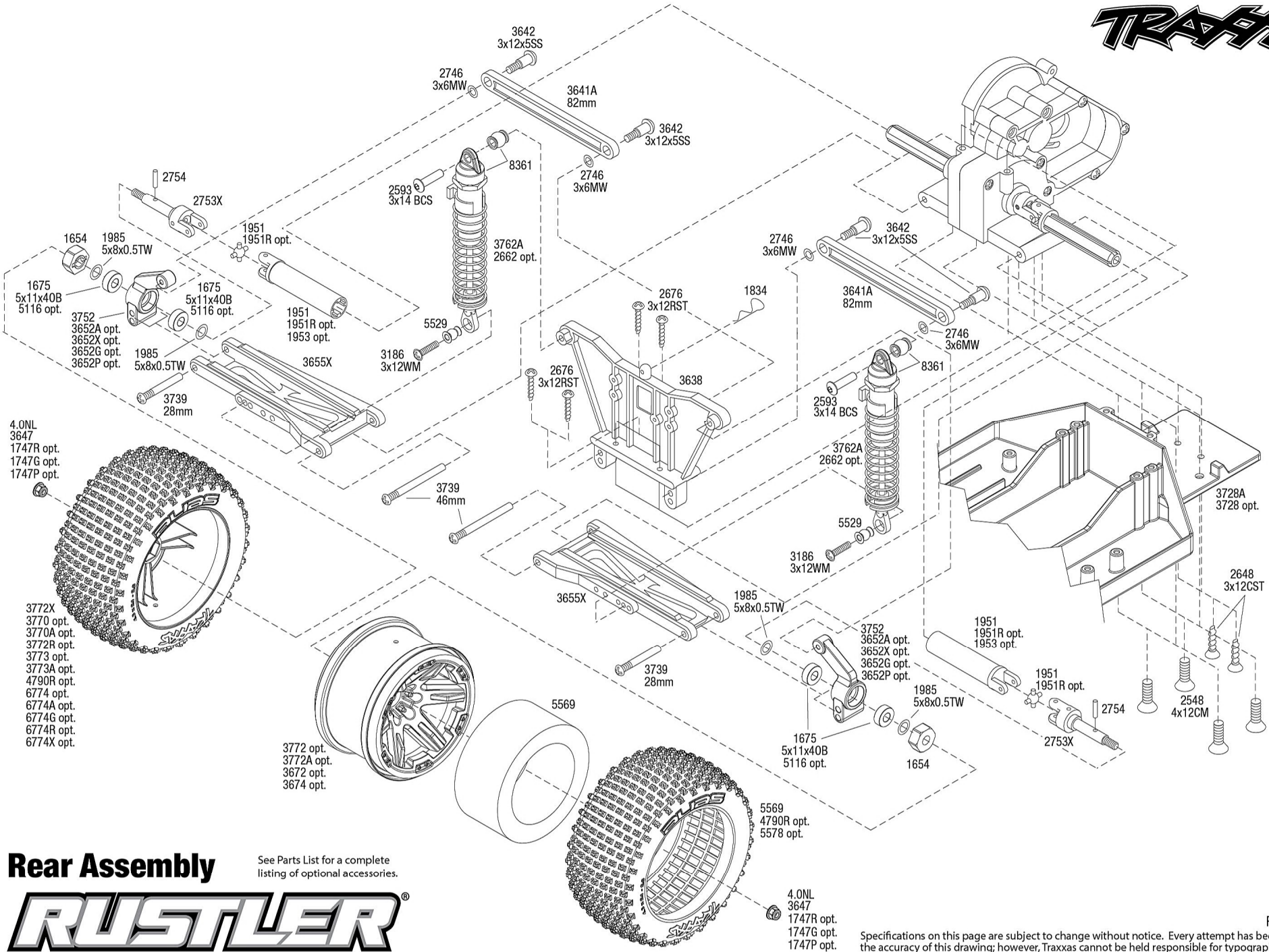
REV 211119-R00



Specifications on this page are subject to change without notice. Every attempt has been made to ensure the accuracy of this drawing; however, Traxxas cannot be held responsible for typographical or other errors.

Front Assembly





Rear Assembly

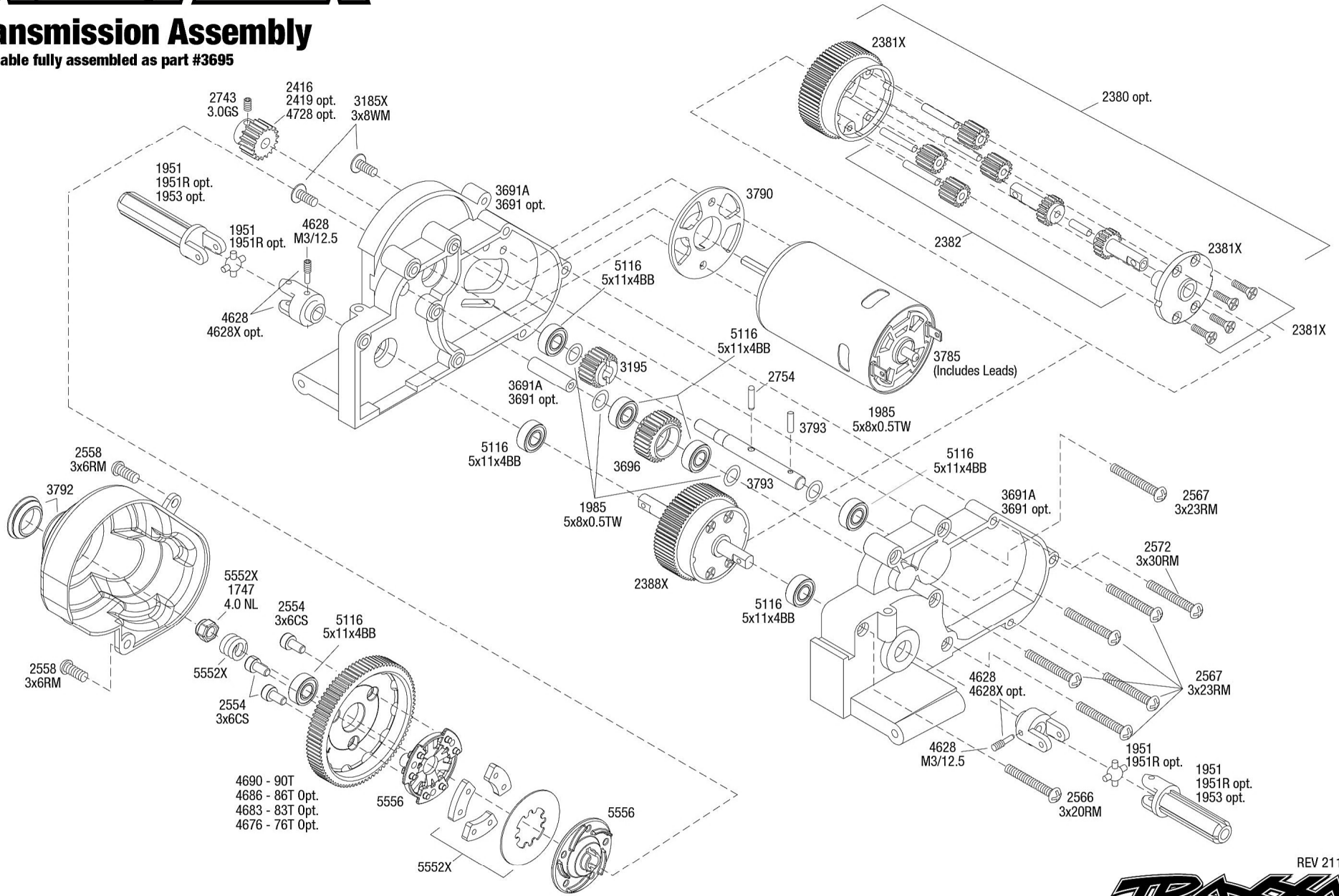
See Parts List for a complete listing of optional accessories.



RUSTLER®

Transmission Assembly

Available fully assembled as part #3695



See Parts List for a complete listing of optional accessories.

Specifications on this page are subject to change without notice. Every attempt has been made to ensure the accuracy of this drawing; however, Traxxas cannot be held responsible for typographical or other errors.

REV 211119-R00
TRAXXAS