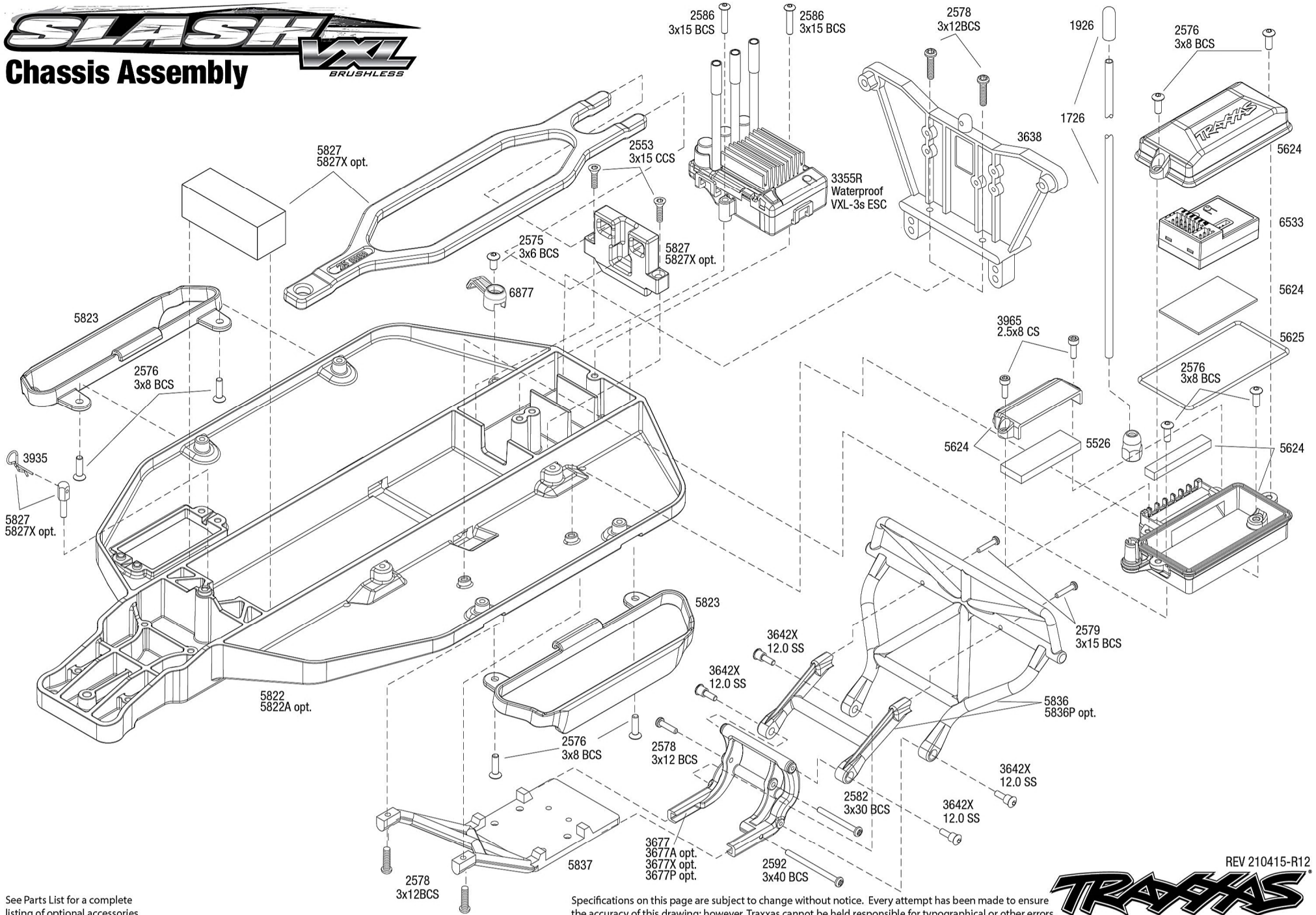


SLASH VXL Chassis Assembly

BRUSHLESS



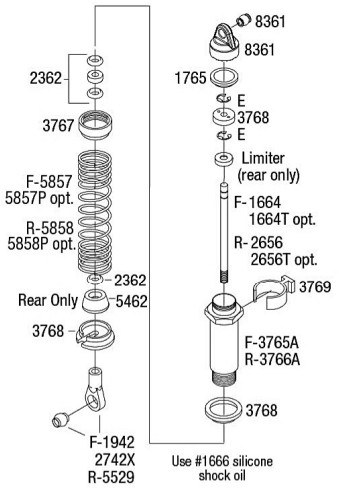
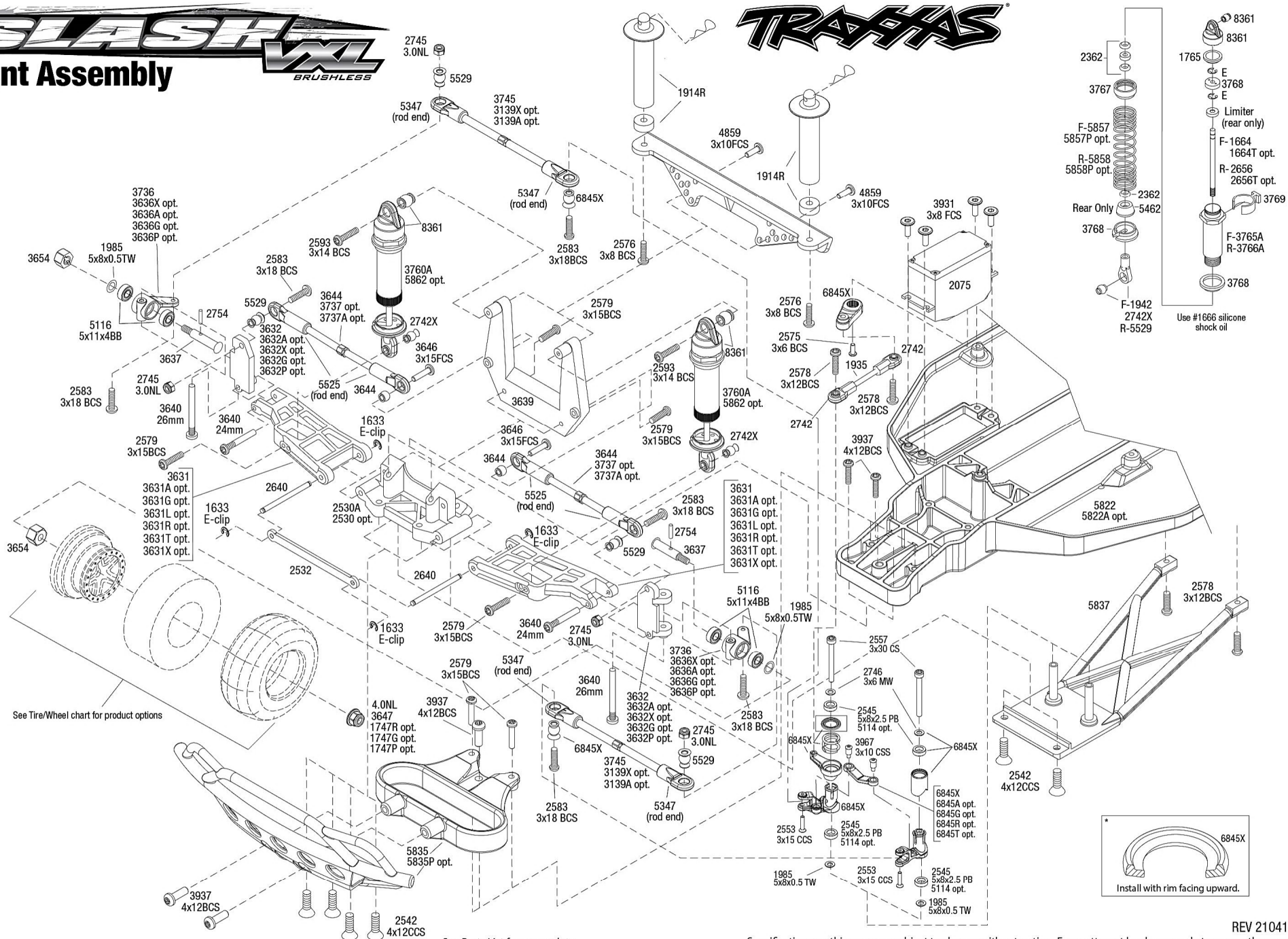
See Parts List for a complete listing of optional accessories.

Specifications on this page are subject to change without notice. Every attempt has been made to ensure the accuracy of this drawing; however, Traxxas cannot be held responsible for typographical or other errors.

SLASH VXL

Front Assembly

BRUSHLESS



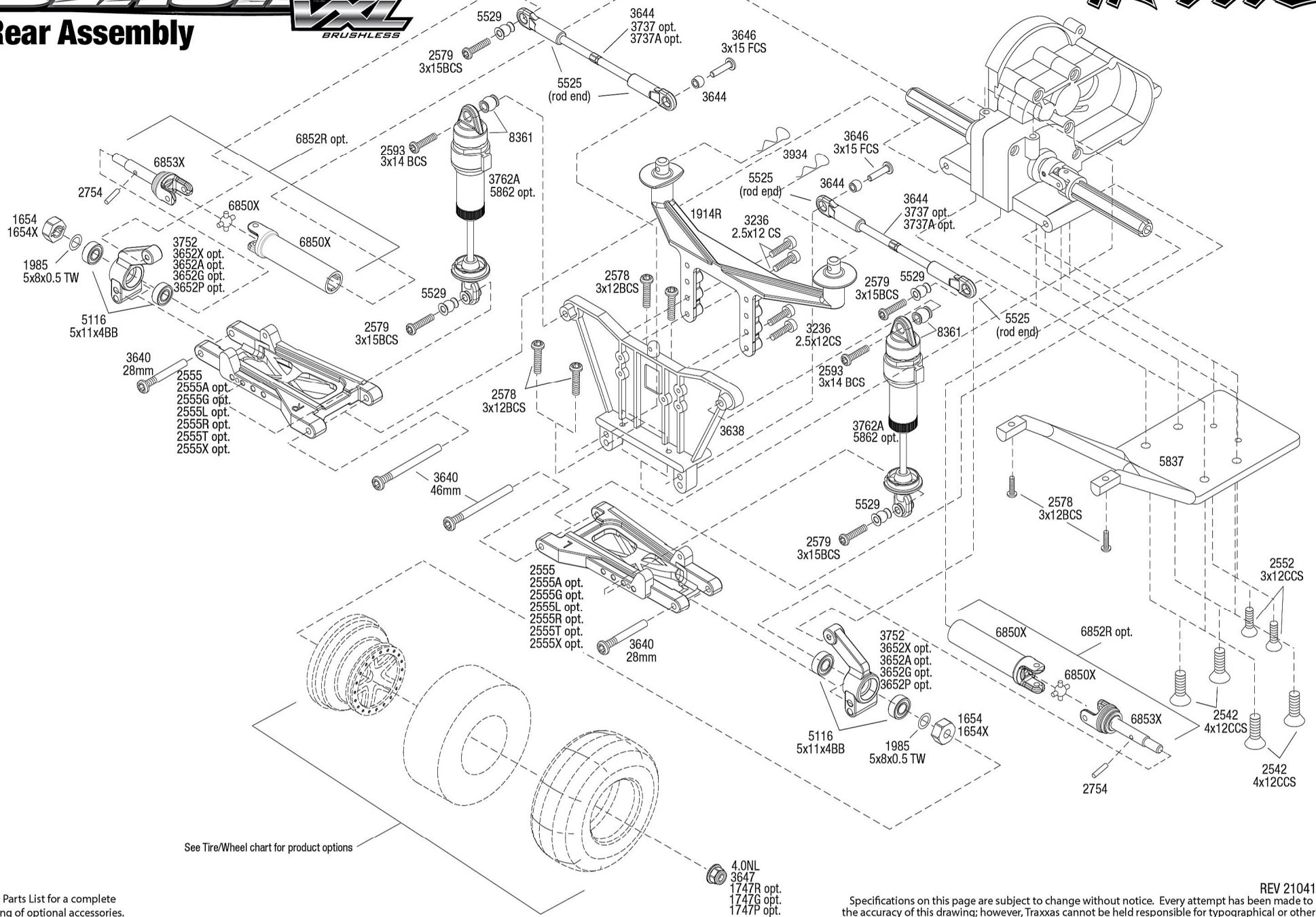
REV 210415-R12

Specifications on this page are subject to change without notice. Every attempt has been made to ensure the accuracy of this drawing; however, Traxxas cannot be held responsible for typographical or other errors.

SLASH VXL

BRUSHLESS

Rear Assembly



See Tire/Wheel chart for product options

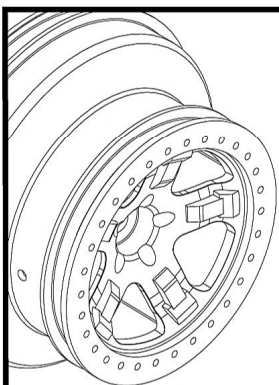
See Parts List for a complete listing of optional accessories.

REV 210415-R12
Specifications on this page are subject to change without notice. Every attempt has been made to ensure the accuracy of this drawing; however, Traxxas cannot be held responsible for typographical or other errors.

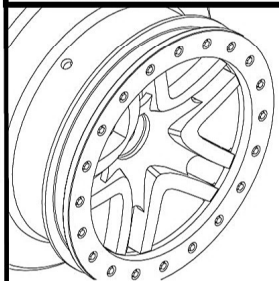
SLASH VXL

Wheel and Tire Chart

BRUSHLESS



Traxxas SCT Wheels



Split Spoke Wheels

Wheels*		Assembled Wheels and Tires		Assembled Wheels and Tires		Assembled Wheels and Tires	
Satin Beadlock/ Satin Wheel - Slash Rear or Slash 4X4 Front/Rear	5872	5873†	-	-	-	-	-
Satin Beadlock/ Satin Wheel - Slash Front	5874	5875	-	-	-	-	-
Red Beadlock/ Satin Wheel - Slash Rear or Slash 4X4 Front/Rear	5872A	5873A	5873R	=	=	=	=
Red Beadlock/ Satin Wheel - Slash Front	5874A	-	-	-	-	-	-
Black Beadlock/ Satin Wheel - Slash Rear or Slash 4X4 Front/Rear	5872X	5873X	-	5878	-	5880X	-
Black Beadlock/ Satin Wheel - Slash Front	5874X	5875X	-	-	-	5881X	-
Red Beadlock/ Chrome Wheel - Slash Rear or Slash 4X4 Front/Rear	5868	-	-	5867	-	-	-
Red Beadlock/ Chrome Wheel - Slash Front	5870	-	-	5869	-	-	-
Green Beadlock/ Chrome Wheel - Slash Front	5866	-	-	5865	-	-	-
Green Beadlock/ Chrome Wheel - Slash Rear or Slash 4X4 Front/Rear	6875	-	-	6876	-	-	-
Orange Beadlock/ Black Wheel - Slash Front	5870X	5864	-	-	-	-	-
Orange Beadlock/ Black Wheel - Slash Rear or Slash 4X4 Front/Rear	5868X	5863†	5863R†	-	-	-	-
Black Beadlock/ Satin Wheel - Slash Rear or Slash 4X4 Front/Rear	6872	-	-	6873†	6873X	6874	6874R
Black Beadlock/ Satin Wheel - Slash Front	5876	-	-	5877	-	5882	5882R
Red Beadlock/ Chrome Wheel - Slash Rear or Slash 4X4 Front/Rear	6872A	-	-	6873A	6873R	-	-
Red Beadlock/ Chrome Wheel - Slash Front	5876A	-	-	5877A	5877R	-	-
Green Beadlock/ Chrome Wheel - Slash Rear or Slash 4X4 Front/Rear Front	6872X	-	-	-	-	-	-
Satin Beadlock/ Black Wheel - Slash Front	5886	-	-	5885	-	-	-
Satin Beadlock/ Black Wheel - Slash Rear or Slash 4X4 Front/Rear	5884	-	-	5883	-	-	-
Blue Beadlock/ Black Wheel - Slash Front	5886A	-	-	5885A	-	-	-
Blue Beadlock/ Black Wheel - Slash Rear or Slash 4X4 Front/Rear	5884A	-	-	5883A	-	-	-

* Wheels and/or tires sold in pairs
†TSM rated

See Parts List for a complete listing of optional accessories.

BFGoodrich® Tires Trademarks are used under license from Michelin Group Companies.

Specifications on this page are subject to change without notice. Every attempt has been made to ensure the accuracy of this drawing; however, Traxxas cannot be held responsible for typographical or other errors.

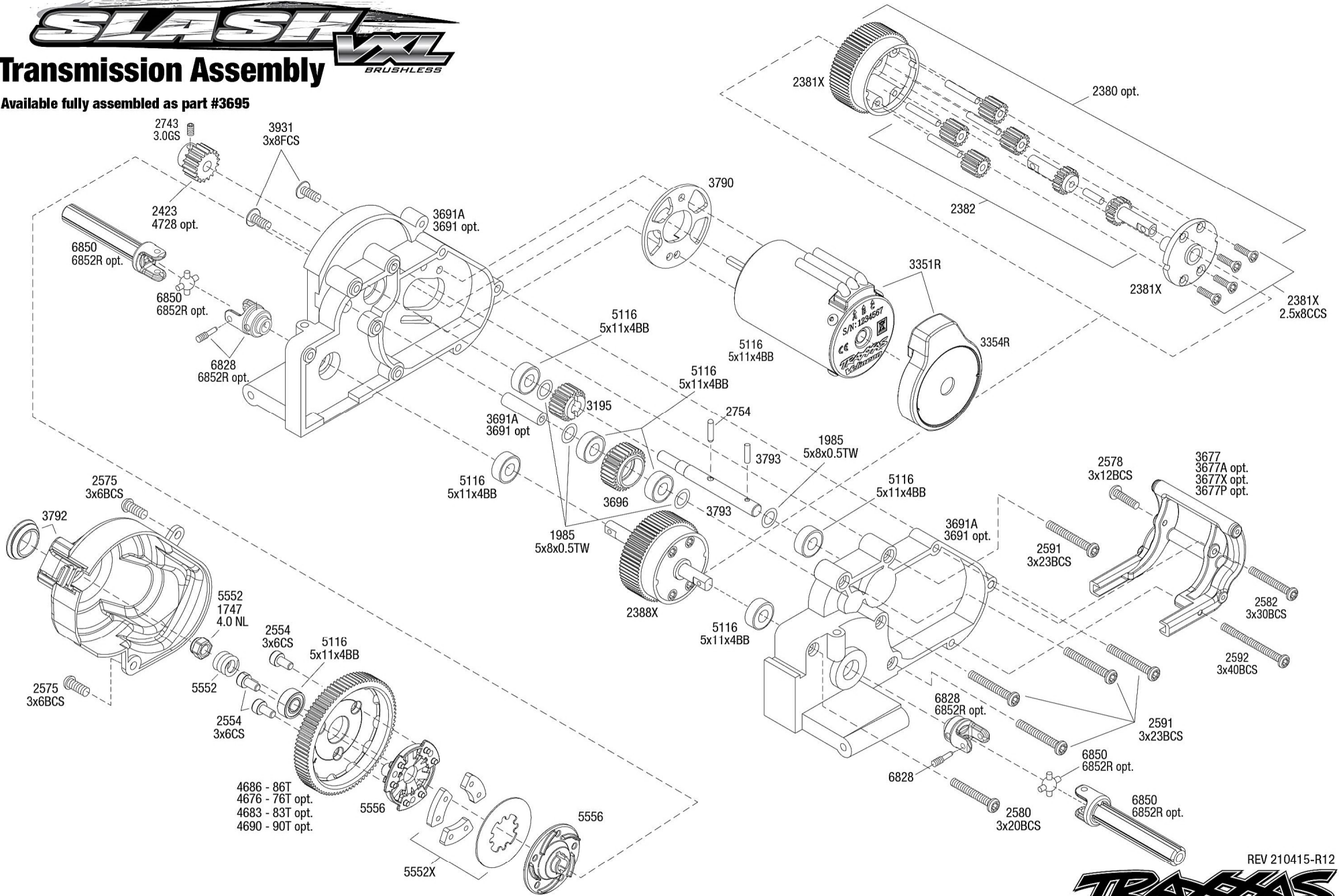
REV 210415-R12

<p>Traxxas SCT Tires with Foam Inserts</p>		<p>BFGoodrich® Mud Terrain™ T/A® Tires with Foam Inserts</p>		<p>Kumho Road Venture MT tires with Foam Inserts</p>	
5871	<i>S1 Ultra-Soft Racing Compound</i> 5871R	6871	<i>S1 Ultra-Soft Racing Compound</i> 6871R	6870	<i>S1 Ultra-Soft Racing Compound</i> 6870R

SLASH VXL Transmission Assembly

BRUSHLESS

Available fully assembled as part #3695



See Parts List for a complete listing of optional accessories.

Specifications on this page are subject to change without notice. Every attempt has been made to ensure the accuracy of this drawing; however, Traxxas cannot be held responsible for typographical or other errors.

