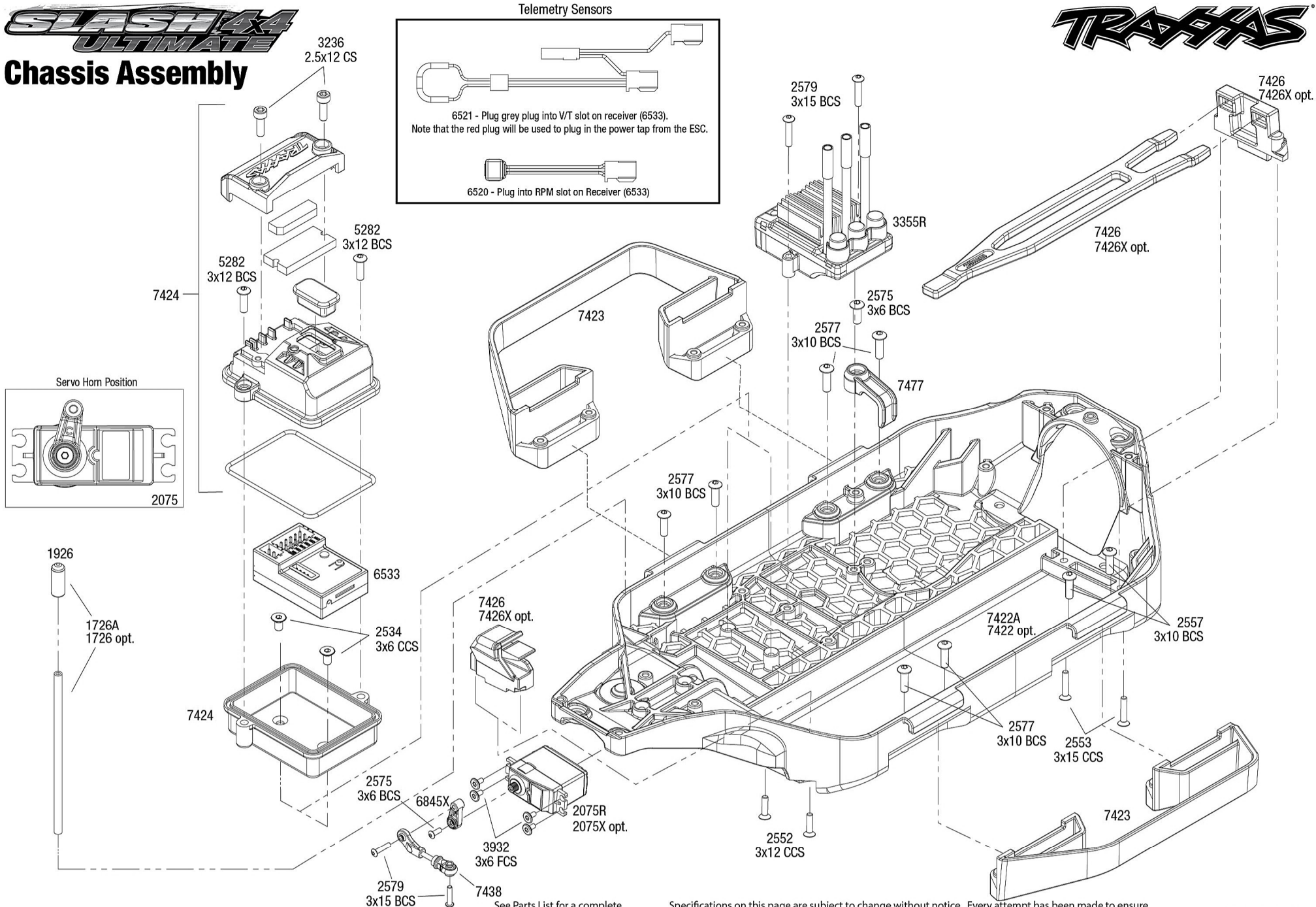


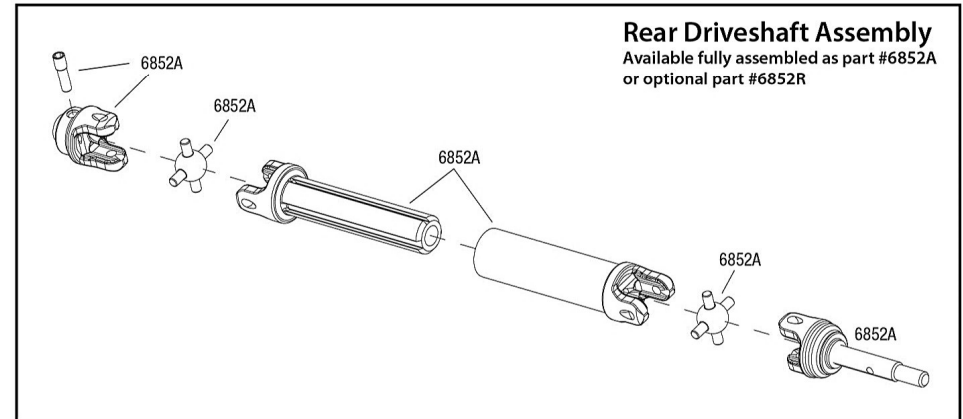
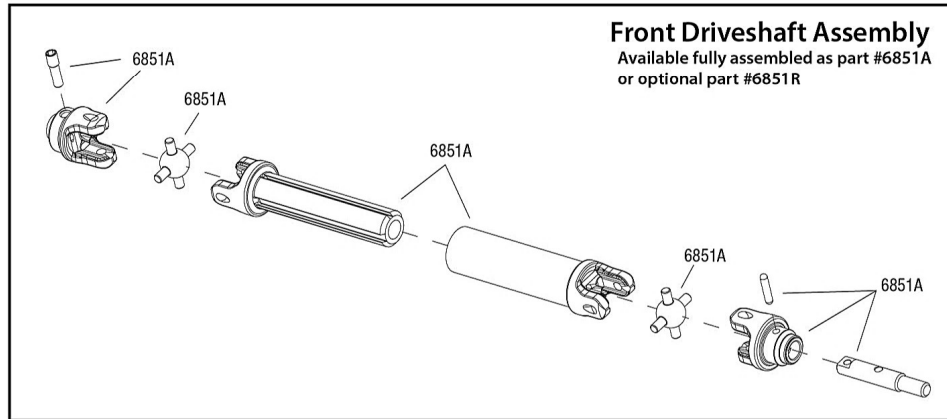
Chassis Assembly



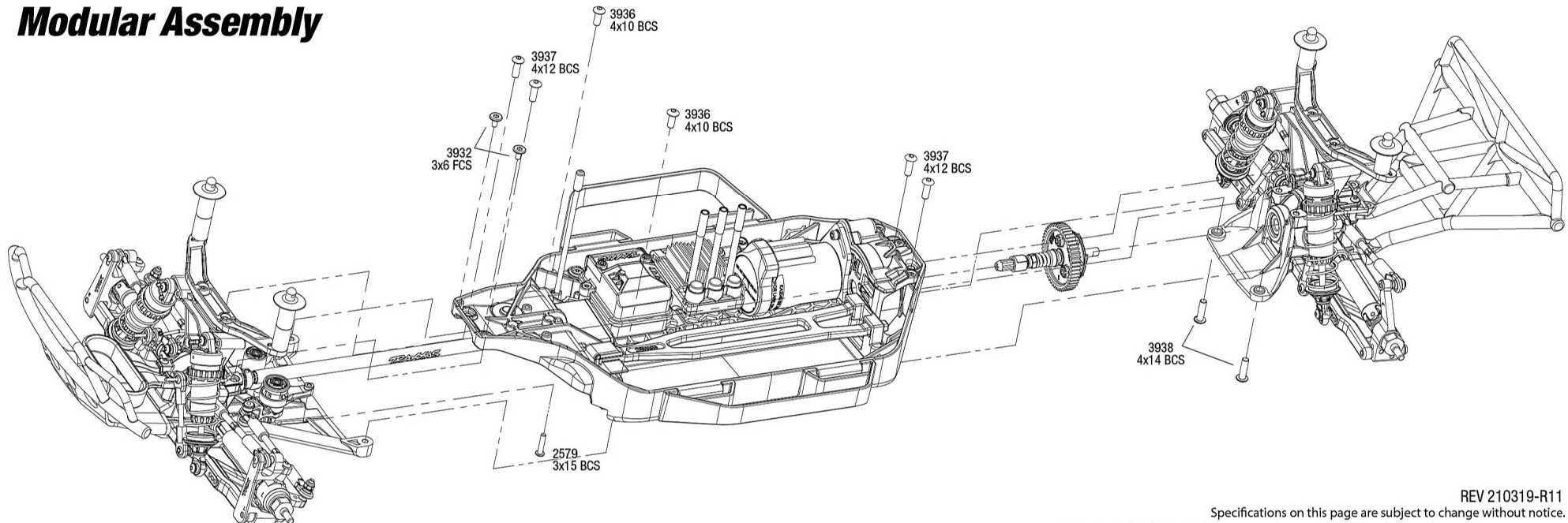
See Parts List for a complete listing of optional accessories.

Specifications on this page are subject to change without notice. Every attempt has been made to ensure the accuracy of this drawing; however, Traxxas cannot be held responsible for typographical or other errors.

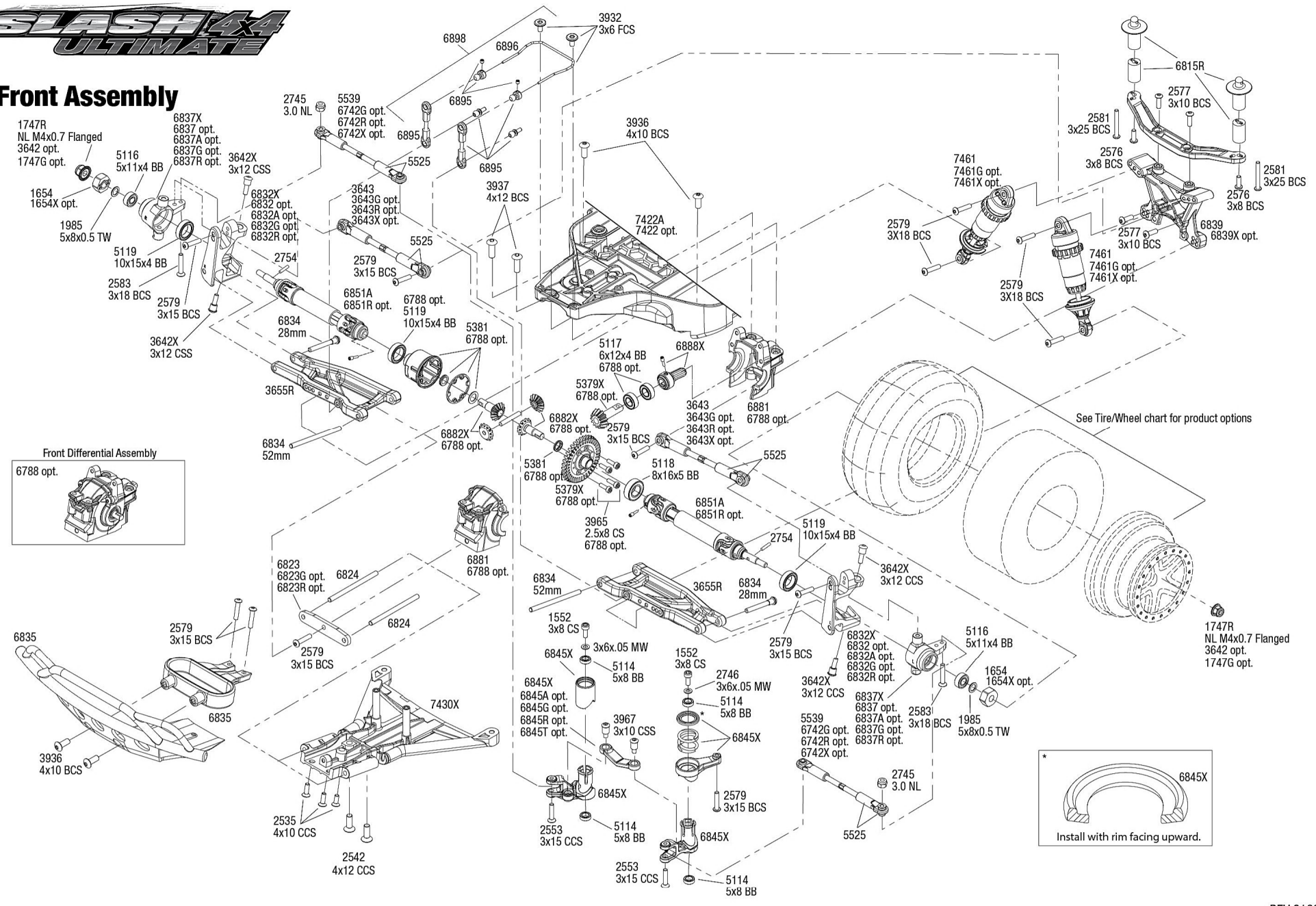
Driveshafts



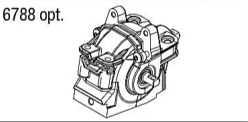
Modular Assembly



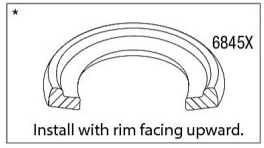
Front Assembly



Front Differential Assembly



See Tire/Wheel chart for product options



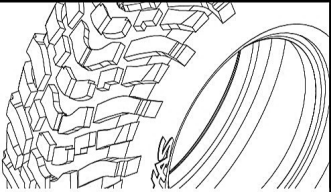
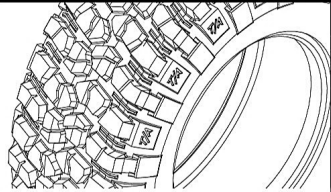
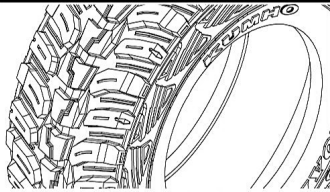
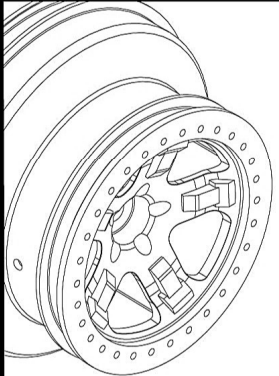
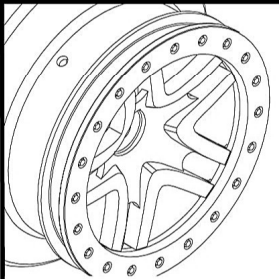
See Parts List for a complete listing of optional accessories.

Specifications on this page are subject to change without notice. Every attempt has been made to ensure the accuracy of this drawing; however, Traxxas cannot be held responsible for typographical or other errors.

SLASH 4X4 ULTIMATE

Wheel and Tire Chart



| | |  Traxxas SCT Tires with Foam Inserts | |  BFGoodrich® Mud Terrain™ T/A® Tires with Foam Inserts | |  Kumho Road Venture MT tires with Foam Inserts | | |
|--|---|---|-------------------------------------|---|-------------------------------------|---|-------------------------------------|-------|
| | | 5871 | S1 Ultra-Soft Racing Compound 5871R | 6871 | S1 Ultra-Soft Racing Compound 6871R | 6870 | S1 Ultra-Soft Racing Compound 6870R | |
| Wheels* | | Assembled Wheels and Tires | | Assembled Wheels and Tires | | Assembled Wheels and Tires | | |
|  Traxxas SCT Wheels | Satin Beadlock/ Satin Wheel - Slash Rear or Slash 4X4 Front/Rear | 5872 | 5873† | - | - | - | - | |
| | Satin Beadlock/ Satin Wheel - Slash Front | 5874 | 5875 | - | - | - | - | |
| | Red Beadlock/ Satin Wheel - Slash Rear or Slash 4X4 Front/Rear | 5872A | 5873A | 5873R | - | - | - | |
| | Red Beadlock/ Satin Wheel - Slash Front | 5874A | - | - | - | - | - | |
| | Black Beadlock/ Satin Wheel - Slash Rear or Slash 4X4 Front/Rear | 5872X | 5873X | - | 5878 | - | 5880X | |
| | Black Beadlock/ Satin Wheel - Slash Front | 5874X | 5875X | - | - | - | 5881X | |
| | Red Beadlock/ Chrome Wheel - Slash Rear or Slash 4X4 Front/Rear | 5868 | - | - | 5867 | - | - | |
| | Red Beadlock/ Chrome Wheel - Slash Front | 5870 | - | - | 5869 | - | - | |
| | Green Beadlock/ Chrome Wheel - Slash Front | 5866 | - | - | 5865 | - | - | |
| | Green Beadlock/ Chrome Wheel - Slash Rear or Slash 4X4 Front/Rear | 6875 | - | - | 6876 | - | - | |
|  Split Spoke Wheels | Orange Beadlock/ Black Wheel - Slash Front | 5870X | 5864 | - | - | - | - | |
| | Orange Beadlock/ Black Wheel - Slash Rear or Slash 4X4 Front/Rear | 5868X | 5863† | 5863R† | - | - | - | |
| | Black Beadlock/ Satin Wheel - Slash Rear or Slash 4X4 Front/Rear | 6872 | - | - | 6873† | 6873X | 6874 | 6874R |
| | Black Beadlock/ Satin Wheel - Slash Front | 5876 | - | - | 5877 | - | 5882 | 5882R |
| | Red Beadlock/ Chrome Wheel - Slash Rear or Slash 4X4 Front/Rear | 6872A | - | - | 6873A | 6873R | - | - |
| | Red Beadlock/ Chrome Wheel - Slash Front | 5876A | - | - | 5877A | 5877R | - | - |
| | Green Beadlock/ Chrome Wheel - Slash Rear or Slash 4X4 Front/Rear Front | 6872X | - | - | - | - | - | - |
| | Satin Beadlock/ Black Wheel - Slash Front | 5886 | - | - | 5885 | - | - | - |
| | Satin Beadlock/ Black Wheel - Slash Rear or Slash 4X4 Front/Rear | 5884 | - | - | 5883 | - | - | - |
| | Blue Beadlock/ Black Wheel - Slash Front | 5886A | - | - | 5885A | - | - | - |
| Blue Beadlock/ Black Wheel - Slash Rear or Slash 4X4 Front/Rear | 5884A | - | - | 5883A | - | - | - | |

* Wheels and/or tires sold in pairs
†TSM rated

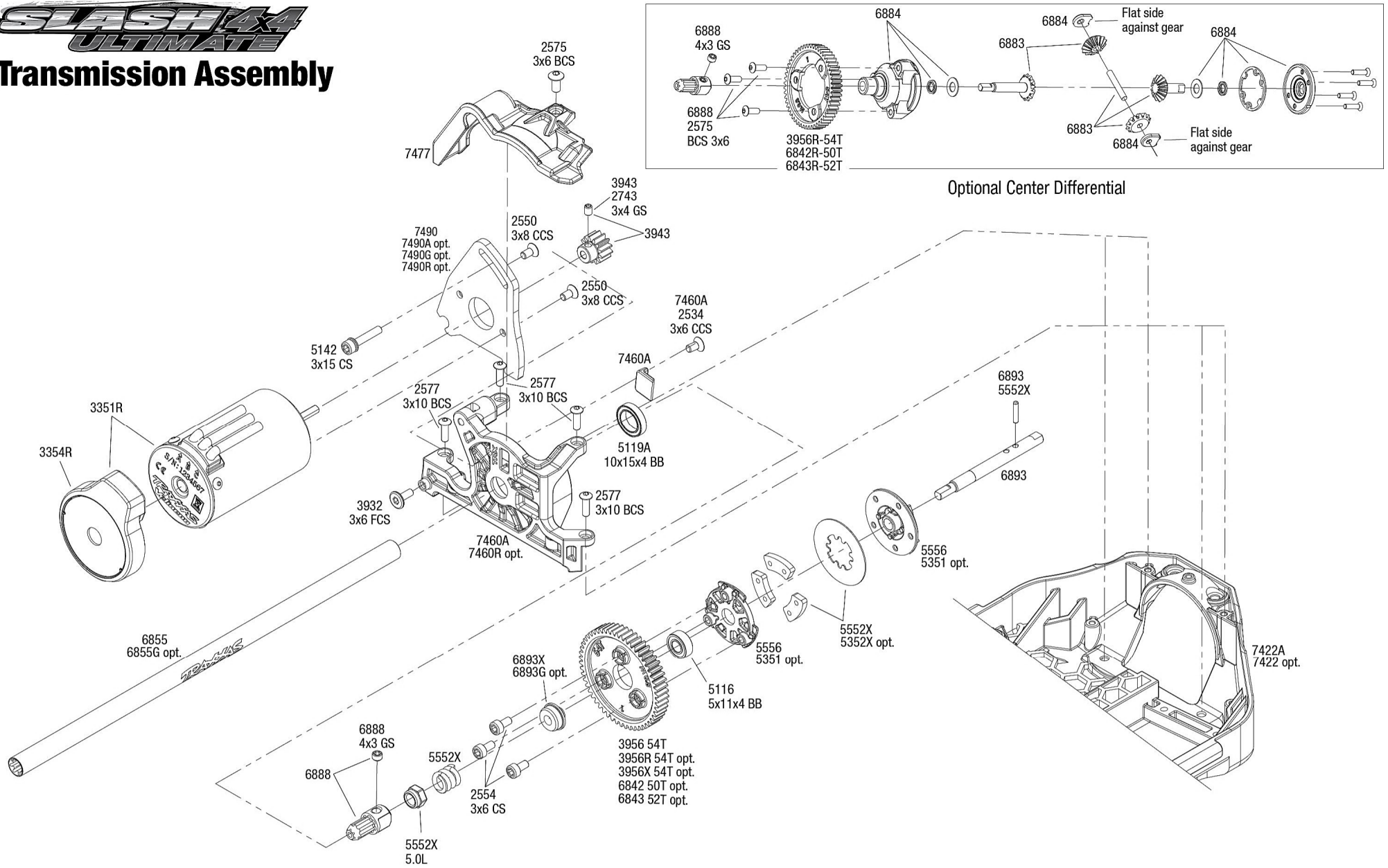
See Parts List for a complete listing of optional accessories.

BFGoodrich® Tires Trademarks are used under license from Michelin Group Companies.

REV 210319-R11
Specifications on this page are subject to change without notice. Every attempt has been made to ensure the accuracy of this drawing; however, Traxxas cannot be held responsible for typographical or other errors.

SLASH 4X4 ULTIMATE

Transmission Assembly



See Parts List for a complete listing of optional accessories.

REV 210319-R11
Specifications on this page are subject to change without notice. Every attempt has been made to ensure the accuracy of this drawing; however, Traxxas cannot be held responsible for typographical or other errors.