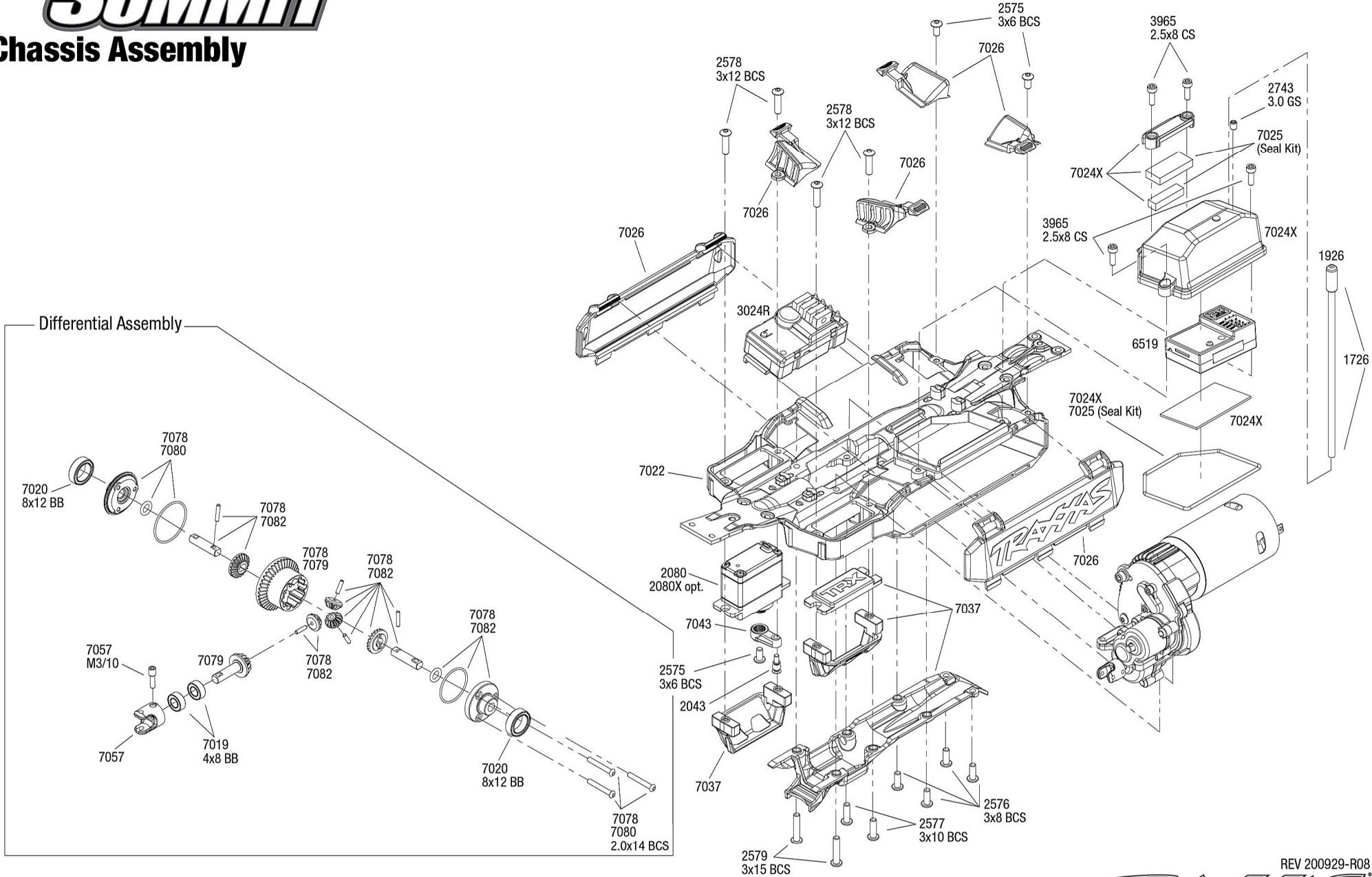


1/16 SUMMIT

Chassis Assembly



Specifications on this page are subject to change without notice. Every attempt has been made to ensure the accuracy of this drawing; however, Traxxas cannot be held responsible for typographical or other errors.

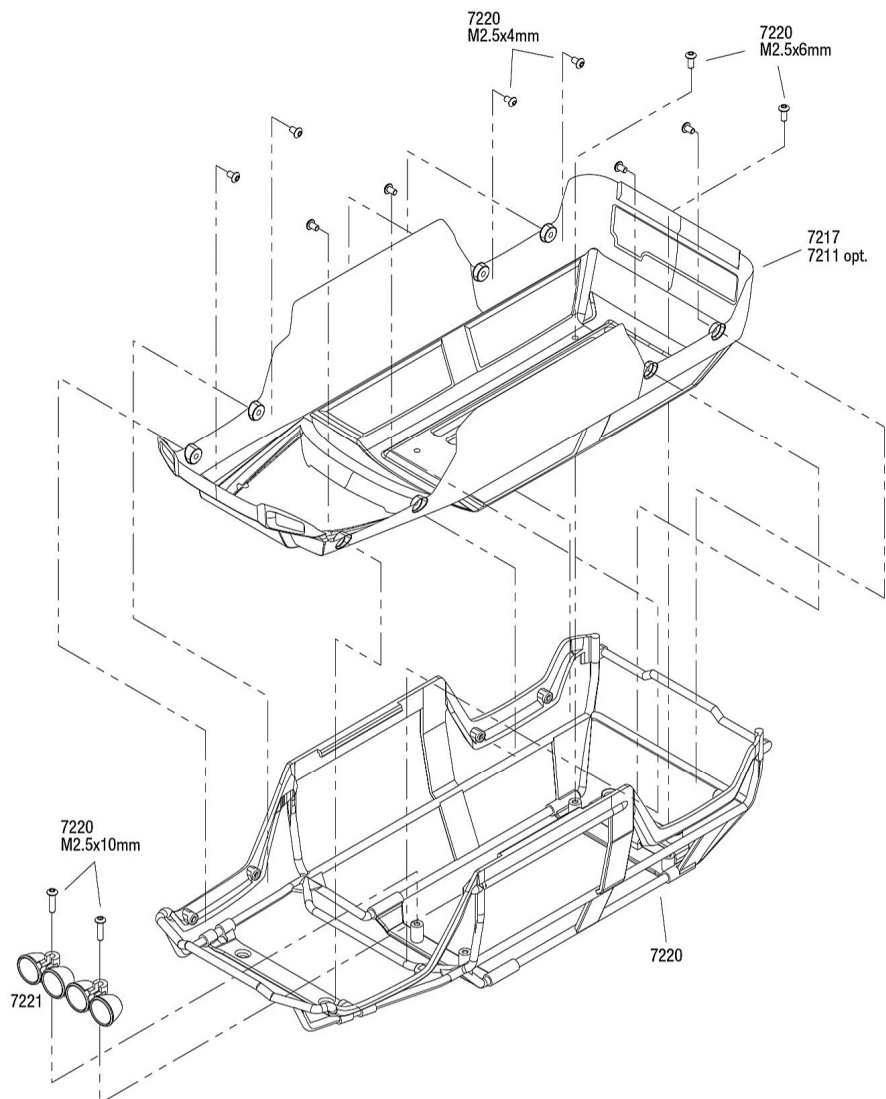
See Parts List for a complete listing of optional accessories.

REV 200929-R08



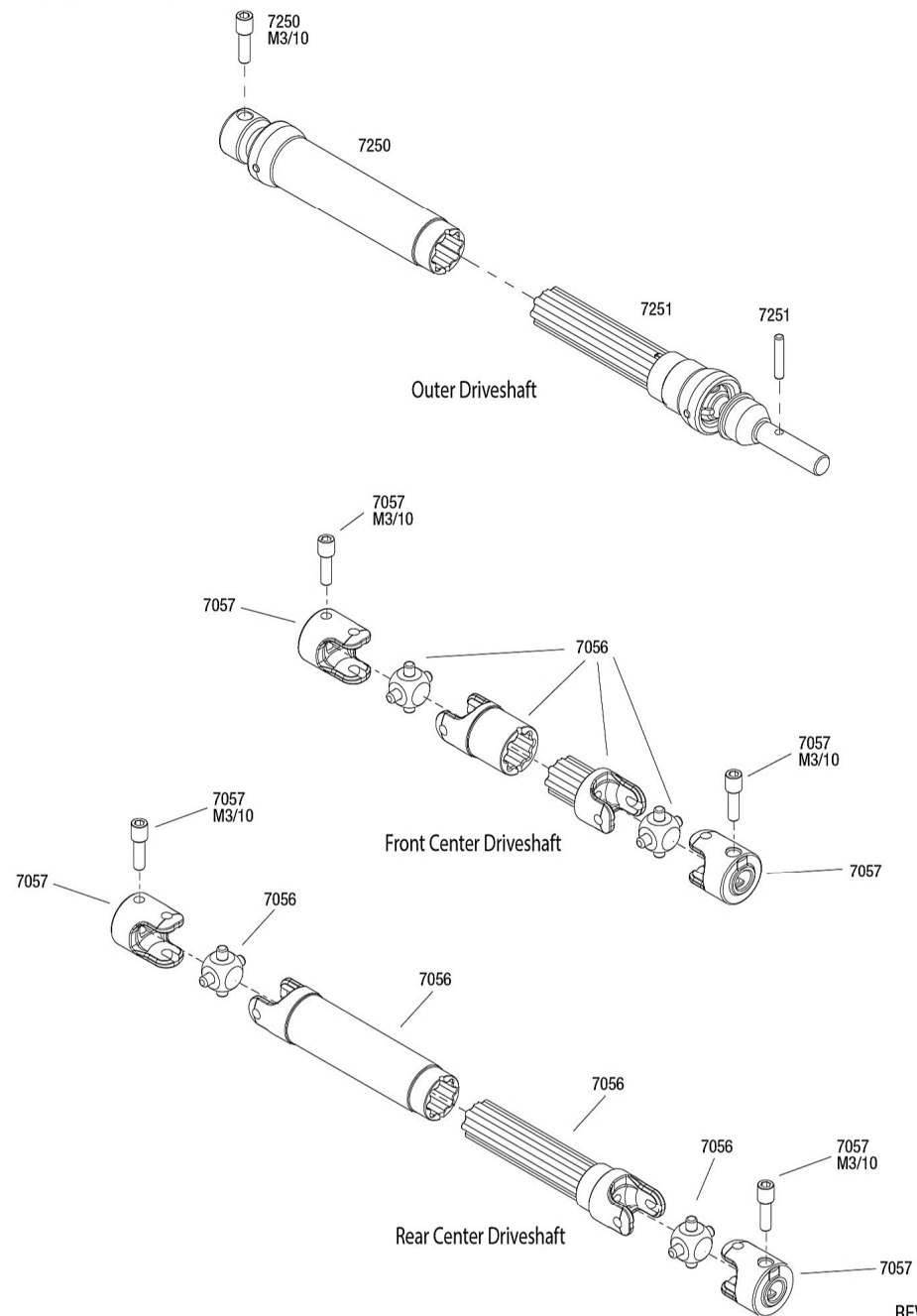
1/16 SUMMIT

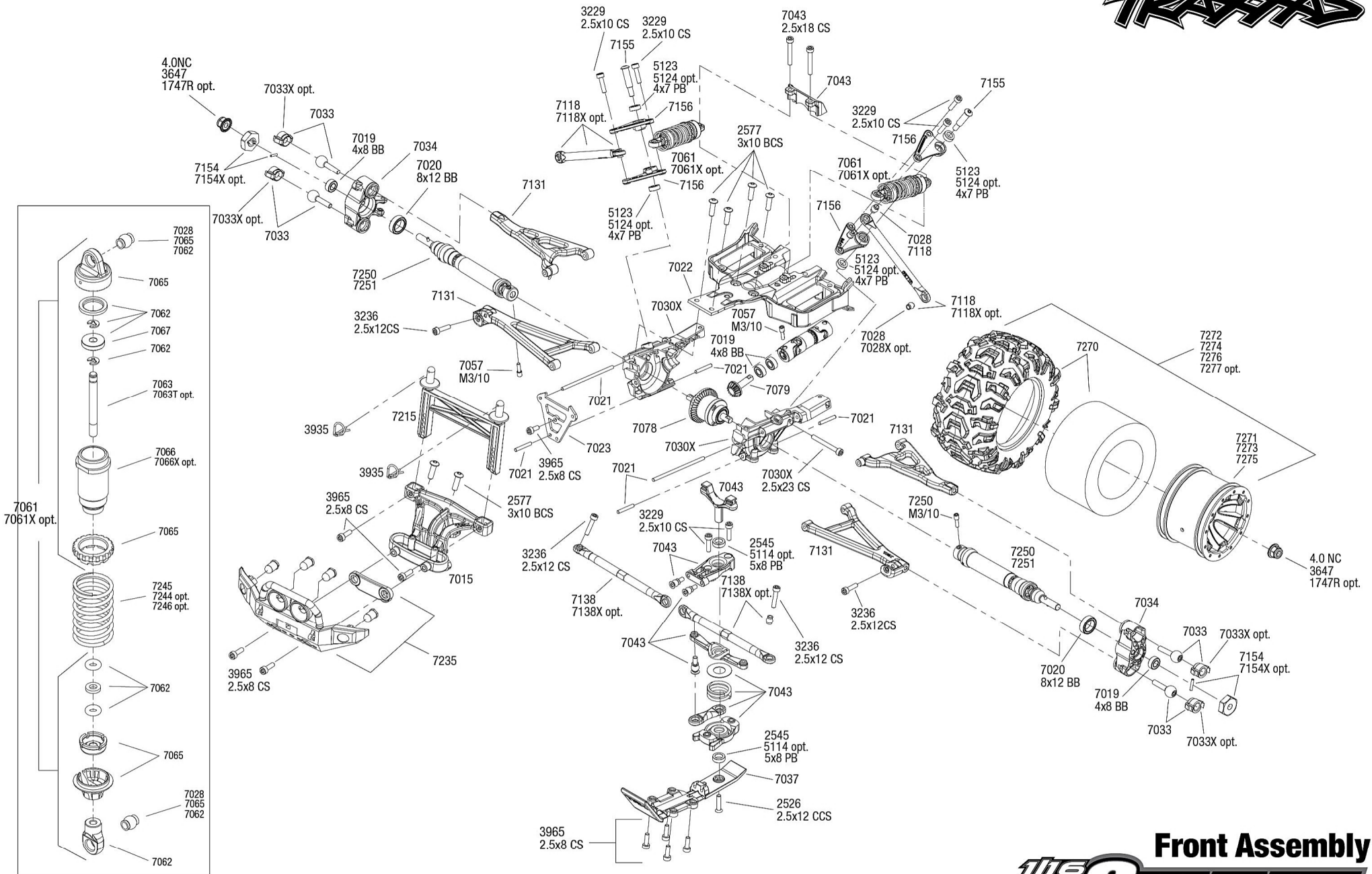
Excocage and Body



Specifications on this page are subject to change without notice. Every attempt has been made to ensure the accuracy of this drawing; however, Traxxas cannot be held responsible for typographical or other errors. See Parts List for a complete listing of optional accessories.

Driveshafts





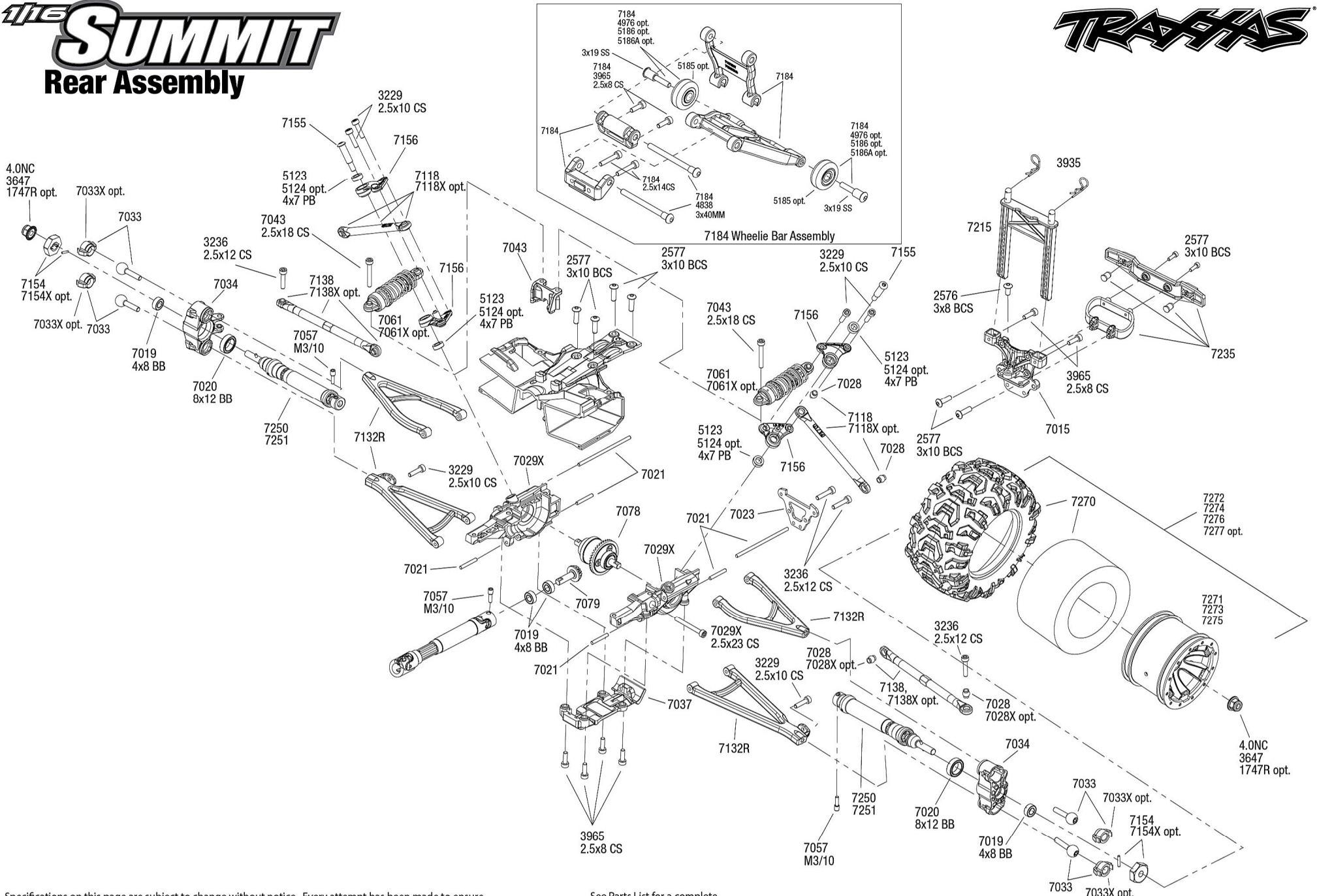
REV 200929-R08
Specifications on this page are subject to change without notice. Every attempt has been made to ensure the accuracy of this drawing; however, Traxxas cannot be held responsible for typographical or other errors.

See Parts List for a complete listing of optional accessories.

T116 SUMMIT

Rear Assembly

TRAXXAS

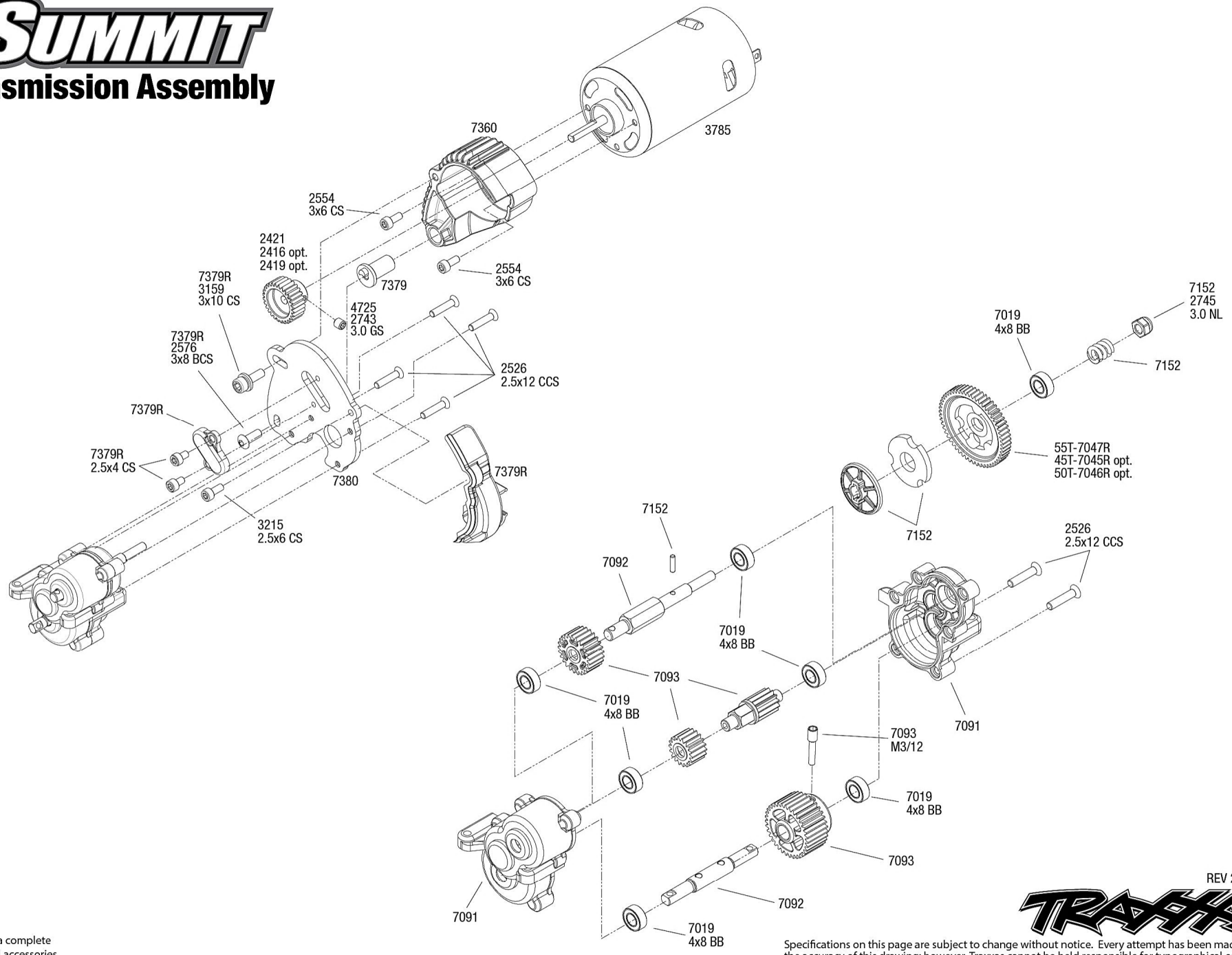


Specifications on this page are subject to change without notice. Every attempt has been made to ensure the accuracy of this drawing; however, Traxxas cannot be held responsible for typographical or other errors.

See Parts List for a complete listing of optional accessories.

1/16 SUMMIT

Transmission Assembly



See Parts List for a complete listing of optional accessories.

REV 200929-R08
TRAXXAS
 Specifications on this page are subject to change without notice. Every attempt has been made to ensure the accuracy of this drawing; however, Traxxas cannot be held responsible for typographical or other errors.