

TRX4[®] SPORT

MODEL 82010-4



TRAXXAS

ASSEMBLY MANUAL



FIRE HAZARD! Your model is able to use LiPo batteries. Charging and discharging batteries has the potential for fire, explosion, serious injury, and property damage if not performed per the instructions. Before use, read and follow all manufacturer's instructions, warnings, and precautions. In addition, Lithium Polymer (LiPo) batteries pose a SEVERE risk of fire if not properly handled per the instructions and require special care and handling procedures for long life and safe operation. LiPo batteries are intended only for advanced users that are educated on the risks associated with LiPo battery use. Traxxas does not recommend that anyone under the age of 14 use or handle LiPo battery packs without the supervision of a knowledgeable and responsible adult. Dispose of used batteries according to the instructions.

Important Warnings for users of Lithium Polymer (LiPo) batteries:

- LiPo batteries have a minimum safe discharge voltage threshold that should not be exceeded. The electronic speed control is equipped with built-in Low-Voltage Detection that alerts the driver when LiPo batteries have reached their minimum voltage (discharge) threshold. It is the driver's responsibility to stop immediately to prevent the battery pack from being discharged below its safe minimum threshold.
- Low-Voltage Detection is just one part of a comprehensive plan for safe LiPo battery use. It is critical to follow all instructions for safe and proper charging, use, and storage of LiPo batteries. Make sure you understand how to use your LiPo batteries. If you have questions about LiPo battery usage, please consult with your local hobby dealer or contact the battery manufacturer. As a reminder, all batteries should be recycled at the end of their useful life.
- ONLY use a Lithium Polymer (LiPo) balance charger with a balance adapter port to charge LiPo batteries. Never use NiMH or NiCad-type chargers or charge modes to charge LiPo batteries. DO NOT charge with a NiMH-only charger. The use of a NiMH or NiCad charger or charge mode will damage the batteries and may cause fire and personal injury.
- NEVER charge LiPo battery packs in series or parallel. Charging packs in series or parallel may result in improper charger cell recognition and an improper charging rate that may lead to overcharging, cell imbalance, cell damage, and fire.
- ALWAYS inspect your LiPo batteries carefully before charging. Look for any loose leads or connectors, damaged wire insulation, damaged cell packaging, impact damage, fluid leaks, swelling (a sign of internal damage), cell deformity, missing labels, or any other damage or irregularity. If any of these conditions are observed, do not charge or use the battery pack. Follow the disposal instructions included with your battery to properly and safely dispose of the battery.
- DO NOT store or charge LiPo batteries with or around other batteries or battery packs of any type, including other LiPos.
- Store and transport your battery pack(s) in a cool dry place. DO NOT store in direct sunlight. DO NOT allow the storage temperature to exceed 140°F or 60°C, such as in the trunk of a car, or the cells may be damaged and create a fire risk.
- DO NOT disassemble LiPo batteries or cells.
- DO NOT attempt to build your own LiPo battery pack from loose cells.

Charging and handling precautions for all battery types:

- BEFORE you charge, ALWAYS confirm that the charger settings exactly match the type (chemistry), specification, and configuration of the battery to be charged.

WARNING! CAUTION! DANGER!



- DO NOT attempt to charge non-rechargeable batteries (explosion hazard), batteries that have an internal charge circuit or a protection circuit, batteries that have been altered from original manufacturer configuration, or batteries that have missing or unreadable labels, preventing you from properly identifying the battery type and specifications.
- DO NOT exceed the maximum manufacturer recommended charge rate.
- DO NOT let any exposed battery contacts or wires touch each other. This will cause the battery to short circuit and create the risk of fire.
- While charging or discharging, ALWAYS place the battery (all types of batteries) in a fire retardant/fire proof container and on a non-flammable surface such as concrete.
- DO NOT charge batteries inside of an automobile. DO NOT charge batteries while driving in an automobile.
- NEVER charge batteries on wood, cloth, carpet, or on any other flammable material.
- ALWAYS charge batteries in a well-ventilated area.
- REMOVE flammable items and combustible materials from the charging area.
- DO NOT leave the charger and battery unattended while charging, discharging, or anytime the charger is ON with a battery connected. If there are any signs of a malfunction or in the event of an emergency, unplug the charger from the power source and disconnect the battery from the charger.
- DO NOT operate the charger in a cluttered space, or place objects on top of the charger or battery.
- If any battery or battery cell is damaged in any way, DO NOT charge, discharge, or use the battery.
- Keep a Class D fire extinguisher nearby in case of fire.
- DO NOT disassemble, crush, short circuit, or expose the batteries to flame or other source of ignition. Toxic materials could be released. If eye or skin contact occurs, flush with water.
- If a battery gets hot to the touch during the charging process (temperature greater than 110°F / 43°C), immediately disconnect the battery from the charger and discontinue charging.
- Allow the battery pack to cool off between runs (before charging).
- ALWAYS unplug the charger and disconnect the battery when not in use.
- ALWAYS unplug the battery from the electronic speed control when the model is not in use and when it is being stored or transported.
- DO NOT disassemble the charger.
- REMOVE the battery from your model or device before charging.
- DO NOT expose the charger to water or moisture.
- ALWAYS store battery packs safely out of the reach of children or pets. Children should always have adult supervision when charging and handling batteries.
- Nickel-Metal Hydride (NiMH) batteries must be recycled or disposed of properly.
- Always proceed with caution and use good common sense at all times.

SAFETY PRECAUTIONS

All of us at Traxxas want you to safely enjoy your new model. Operate your model sensibly and with care, and it will be exciting, safe, and fun for you and those around you. Failure to operate your model in a safe and responsible manner may result in property damage and serious injury. The precautions outlined in this manual should be strictly followed to help ensure safe operation. You alone must see that the instructions are followed and the precautions are adhered to.

Important Points to Remember

- Your model is not intended for use on public roads or congested areas where its operation can conflict with or disrupt pedestrian or vehicular traffic.
- Never, under any circumstances, operate the model in crowds of people. Your model is very fast and could cause injury if allowed to collide with anyone.
- Because your model is controlled by radio, it is subject to radio interference from many sources that are beyond your control. Since radio interference can cause momentary losses of radio control, always allow a safety margin in all directions around the model in order to prevent collisions.
- The motor, battery, and speed control can become hot during use. Be careful to avoid getting burned.
- Don't operate your model at night, or anytime your line of sight to the model may be obstructed or impaired in any way.

Speed Control

Your model's electronic speed control (ESC) is an extremely powerful electronic device capable of delivering high current. Please closely follow these precautions to prevent damage to the speed control or other components.

- **Disconnect the Battery:** Always disconnect the battery or batteries from the speed control when not in use.
- **Insulate the Wires:** Always insulate exposed wiring with heat shrink tubing to prevent short circuits.
- **Transmitter on First:** Switch on your transmitter first before switching on the speed control to prevent runaways and erratic performance.
- **Don't Get Burned:** The ESC and motor can become extremely hot during use, so be careful not to touch them until they cool. Supply adequate airflow for cooling.
- **Use the Factory-Installed Connectors:** Do not change the battery and motor connectors. Improper wiring can cause fire or damage to the ESC. Please note that modified speed controls can be subject to a rewiring fee when returned for service.

- **No Reverse Voltage:** The ESC is not protected against reverse polarity voltage.
- **No Schottky Diodes:** External Schottky diodes are not compatible with reversing speed controls. Using a Schottky diode with your Traxxas speed control will damage the ESC and void the 30-day warranty.
- **Always** adhere to the minimum and maximum limitations of the speed control as stated in the specifications table in the Owner's Manual. If your ESC operates on two batteries, do not mix battery types and capacities. Use the same voltage and capacity for both batteries. Using mismatched battery packs could damage the batteries and electronic speed control.

Recycling Traxxas Power Cell NiMH Batteries

Traxxas strongly encourages you to recycle Power Cell NiMH batteries when they reach the end of their useful life. Do not throw batteries in the trash. All Power Cell NiMH battery packs display the RBRC (Rechargeable Battery Recycling Corporation) icon, indicating they are recyclable. To find a recycling center near you, ask your local hobby dealer or visit www.call2recycle.org.

Thank you for purchasing the all-new Traxxas TRX-4 Sport unassembled kit. The design of the TRX-4 Sport instantly obsoletes the status quo with greatly expanded features and versatility. The game-changing portal axles provide greater ground clearance while the rigid steel frame eliminates chassis flex and allows you to navigate tough terrain. The new Canyon Trail 1.9 tires feature tuned foam inserts to deliver superior bite on rocky surfaces with convincing scale realism. In other words, we built it the Traxxas way -- rugged, powerful, and ready to handle the rigors of remote locations and all-day driving fun!

This manual details the assembly of the TRX-4 Sport. This manual will also acquaint you with the model's many different components and its mechanical operation. Read through the manual and examine the model carefully before opening any of the parts bags included in the kit. If for some reason you think the model is not what you wanted, then do not continue any further. Your hobby dealer absolutely cannot accept a model for return or exchange which has been run or contains open bags.

If you have any questions about your TRX-4 Sport, call Traxxas' technical support department at 1-888-TRAXXAS (1-888-872-9927) (U.S. residents only). Outside the U.S., call +1-972-549-3000. Technical support is available Monday through Friday, from 8:30am to 9:00pm central time. Technical assistance is also available at Traxxas.com/support or via e-mail at support@Traxxas.com.

Join thousands of registered members in our online community at Traxxas.com. Traxxas offers a full-service, on-site repair facility to handle any of your Traxxas service needs. Maintenance and replacement parts may be purchased directly from Traxxas by phone or online at Traxxas.com. You can save time, along with shipping and handling costs, by purchasing replacement parts from your local dealer. Do not hesitate to contact us with any of your product support needs. We want you to be thoroughly satisfied with your new model!

ASSEMBLY HINTS

To assemble this kit, you'll need a large flat working area where you will have plenty of room to build. Be sure it's a place where you can leave your work spread out and not in the way when you want to take a break from the assembly. Allow yourself plenty of time to build this kit; assembly time is going to vary with each individual. Experienced builders may only need 4-5 hours to assemble this kit, while others may spend an entire weekend on it. You should feel comfortable with taking as much time as needed to properly build and set up your model.

If you've been exploring the contents of your kit box, you've noticed many bags of small parts. Open only one bag at a time. To keep the parts organized, use small paper plates or several large plastic plates with partitions to contain the parts. Label the paper plates, and then pour the contents of the bags onto them. This puts the parts out in the open where you can find them easily. The plates also prevent small parts from rolling off the table.

Please read the text next to each diagram. The text contains important information, such as assembly steps, screw sizes, and part numbers. Also, pay attention to any notes that may follow some steps. Before you attempt to run your newly-built model, please read all of the instructions and precautions included in the Owner's Manual. You can download the Owner's Manual for the TRX-4 Sport, as well as the manuals for all Traxxas vehicles, at Traxxas.com.

Remember, as you assemble your Traxxas model, you are not alone. If you have any questions or run into difficulties, call Traxxas' technical support department at 1-888-TRAXXAS (1-888-872-9927) (U.S. residents only). Outside the U.S., call +1-972-549-3000. Technical support is available Monday through Friday, from 8:30am to 9:00pm central time.

ITEMS YOU WILL NEED

Some of the tools that you may need in the maintenance and repair of your model have been provided. These include:

- 2.0mm "T" wrench
- 2.5mm "L" wrench
- 4-way wrench
- High Performance Grease
- Silicone shock oil

Required but not included:

- Radio system with transmitter, receiver, and servo
- Power system with motor and speed control
- Traxxas Ultra Premium Tire Glue (CA glue) (part #6468)
- 4 AA alkaline batteries
- NiMH battery pack or LiPo battery pack
- NiMH/LiPo battery charger
- Safety glasses
- Needle nose pliers

The following items are not required for the operation of your model, but are a good idea to include in any RC toolbox:

- Metric hex driver set (part #3415)
(highly recommended for kit assembly)
- Hobby knife
- Side cutters

These items can be purchased from your hobby dealer.

SELECTING A CHARGER AND BATTERIES FOR YOUR MODEL

Your model does not include a battery or charger. Traxxas Power Cell iD batteries are strongly recommended for maximum performance and safer charging. The following chart lists available Power Cell batteries for your model:

LiPo Batteries with iD

2849X	4000mAh 11.1V 3-Cell 25C LiPo Battery
2872X	5000mAh 11.1V 3-Cell 25C LiPo Battery
2843X	5800mAh 7.4V 2-Cell 25C LiPo Battery
2869X	7600mAh 7.4V 2-Cell 25C LiPo Battery

NiMH Batteries with iD

2923X	Battery, Power Cell, 3000mAh (NiMH, 7-C flat, 8.4V)
2940X	Battery, Series 3 Power Cell, 3300mAh (NiMH, 7-C flat, 8.4V)
2950X	Battery, Series 4 Power Cell, 4200mAh (NiMH, 7-C flat, 8.4V)
2960X	Battery, Series 5 Power Cell, 5000mAh (NiMH, 7-C flat, 8.4V)



WARNING: FIRE HAZARD!

Users of Lithium Polymer (LiPo) batteries must read the Warnings and Precautions beginning on page 2. You **MUST** use a LiPo charger for LiPo batteries or battery damage with the potential for fire will result.

Make certain you choose the correct type of charger for the batteries you select. Traxxas recommends you choose a genuine Traxxas EZ-Peak iD charger for safer charging and maximum battery life and performance.

Charger	Part No.	NiMH Compatible	LiPo Compatible	Battery iD	Max. Cells
EZ-Peak Plus, 4 amps	2970	YES	YES	YES	3s
EZ-Peak Live, 12 amps	2971	YES	YES	YES	4s
EZ-Peak Dual, 8 amps	2972	YES	YES	YES	3s
EZ-Peak Live Dual, 26+amps	2973	YES	YES	YES	4s

SELECTING A POWER SYSTEM FOR YOUR MODEL

Your model does not include a motor or electronic speed control. Traxxas power systems are recommended for best performance. The following chart lists available choices for your model:

Electronic Speed Controls

3025	XL-5HV 3s Electronic Speed Control, waterproof (low-voltage detection, fwd/rev/brake)
-------------	---

Motors

3975R	Motor, Titan 550, reverse rotation (21-turns/ 14 volts)
--------------	---

SELECTING A RADIO SYSTEM FOR YOUR MODEL

Your model does not include a transmitter, receiver, or servo. Traxxas TQi radio systems are recommended for best performance. The following chart lists available choices for your model:

Radio Systems

6507R	TQi 2.4 GHz High Output radio system, 4-channel with Traxxas Link Wireless Module, TSM (4-ch transmitter, 5-ch micro receiver)
6509R	TQi 2.4 GHz High Output radio system, 2-channel, Traxxas Link enabled, TSM (2-ch transmitter, 5-ch micro receiver)
6516	Transmitter, TQ 2.4GHz, 2-channel (transmitter only)
6519	Receiver, micro, TQ 2.4GHz (3-channel)

Servos

2075X	Servo, digital high-torque, metal gear (ball bearing), waterproof
2075R	Servo, digital high-speed, metal gear (ball bearing), waterproof
2250*	Servo, digital high-torque 330 coreless, metal gear (ball bearing), waterproof
2255*	Servo, digital high-torque 400 brushless, metal gear (ball bearing), waterproof

* 2262 BEC kit is required for 2250 & 2255

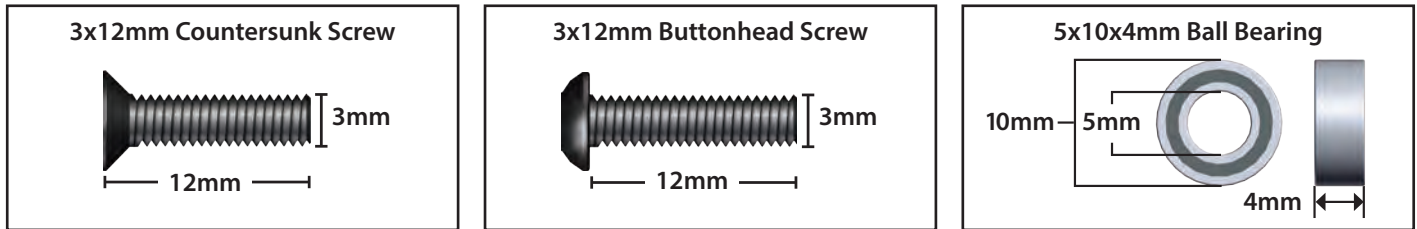
WARRANTY STATEMENT

Every effort has been made in component design and material selection to make your model as durable as possible and still maintain a weight consistent with good handling. Because this model is intended for operation under severe conditions, no warranties are expressed nor implied relating to the longevity of the parts. If you find that a part has a defect in materials or workmanship, please return it to us BEFORE IT IS USED, and we will gladly replace it. Damage caused by excessive force, abuse, neglect or failure to adhere to the precautions outlined in the literature contained with your model will void the warranty.

INTRODUCTION

HARDWARE DESCRIPTIONS

The following chart is provided to help you identify the many different sizes and types of hardware that are used in the assembly of this model. Note the difference between the length measurements of the roundhead and countersunk screws. A ruler is provided at the bottom of each page to measure the length of the screws in millimeters.



CCS Countersunk Cap Screw	GS Set (Grub) Screw
CS Cap Screw	PTW PTFE Washer
FCS Flathead Cap Screw	MW Metal Washer
BCS Buttonhead Cap Screw	E E-Clip
NL Nylon Locknut	BB Ball Bearing

ICON DESCRIPTIONS

There are icons in these assembly instructions that indicate certain actions needed during assembly.

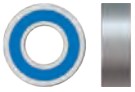
<p>Grease Tube Apply included grease to part indicated. <i>White: Silicone</i> <i>Dark: High Performance</i></p>	<p>Turn Icon Indicates assembly needs to be flipped or turned around.</p>	<p>Oil Bottle Use included silicone shock oil.</p>
<p>Repeat Icon Repeat step the number of times indicated.</p>	<p>Optional Part Icon Optional part available. Refer to included parts list.</p>	<p>Aluminum Part Icon Aluminum accessory part available. Refer to included parts list.</p>

A. TRANSMISSION ASSEMBLY

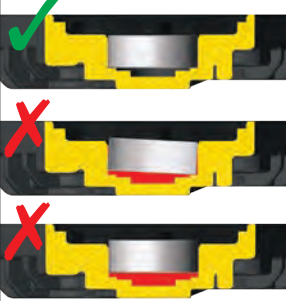
TRANSMISSION BAG

Transmission Case Halves (2)

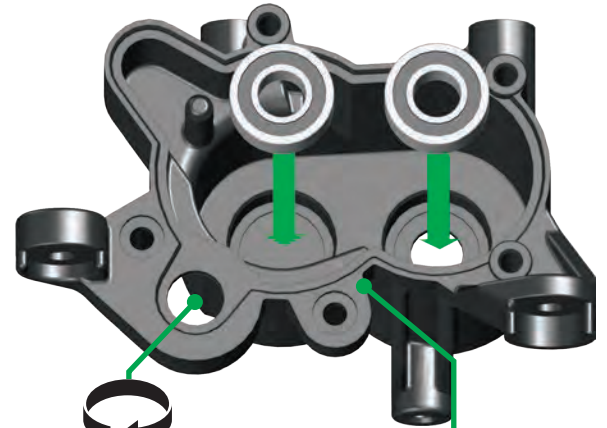
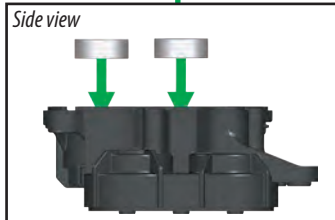
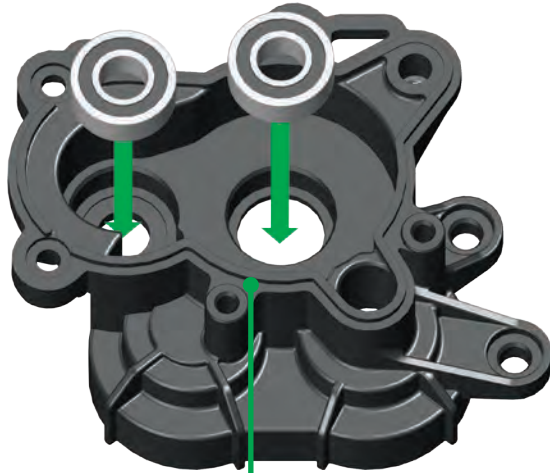
5x11x4mm BB (5)



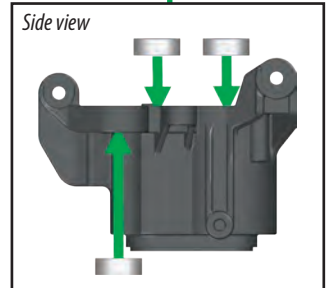
Note: Bearing Seating
Press down hard to ensure bearings are fully seated.



A1. Insert 5x11x4mm bearings into transmission case halves



Bearing installs on the outside of case half



TRANSMISSION BAG

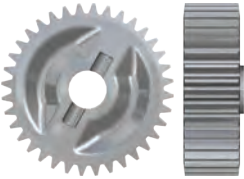
Input Shaft

Output Shaft

18T Input Gear



Single Speed Gear



Short Input Spacer



Long Output Spacer



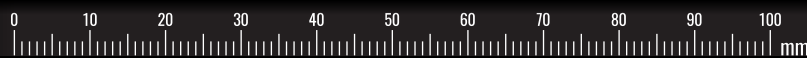
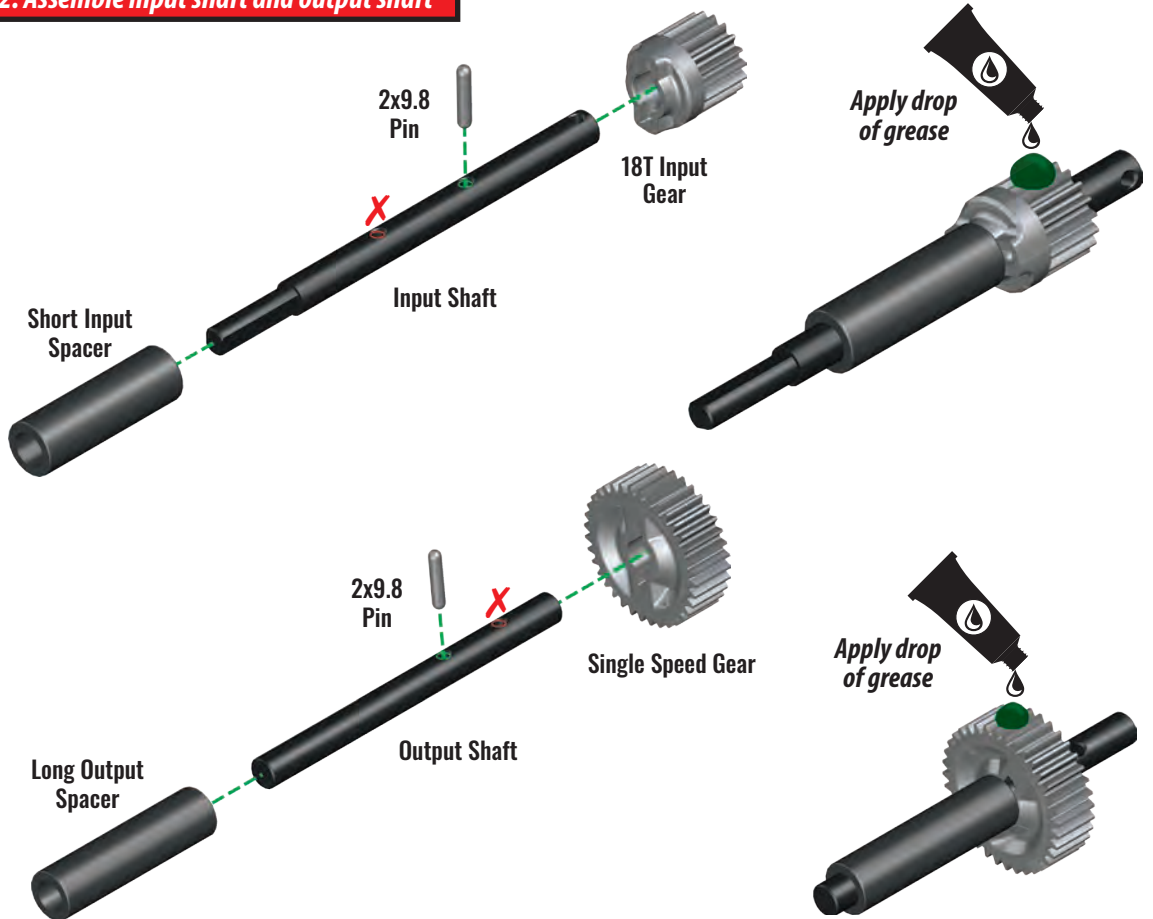
2x9.8 Pin (2)



TOOLS BAG

High Performance Grease

A2. Assemble input shaft and output shaft



A. TRANSMISSION ASSEMBLY

TRANSMISSION BAG

2.5x8mm CS (5)

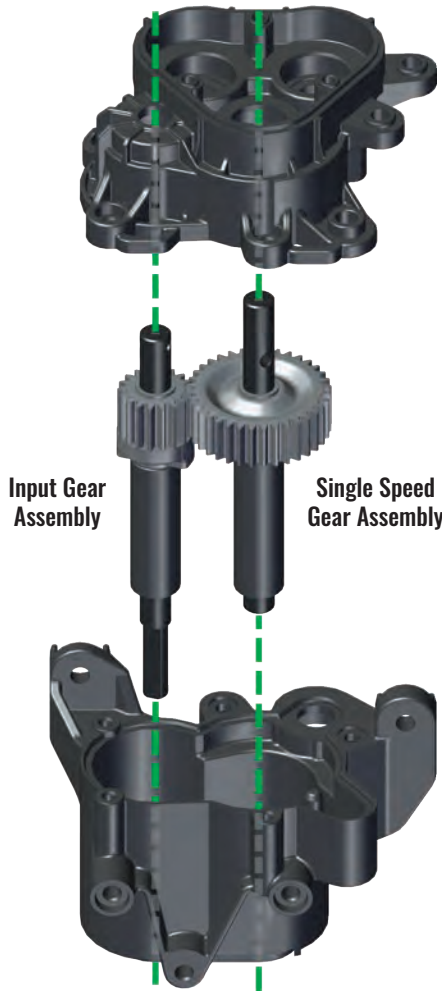


Shift Shaft Plug

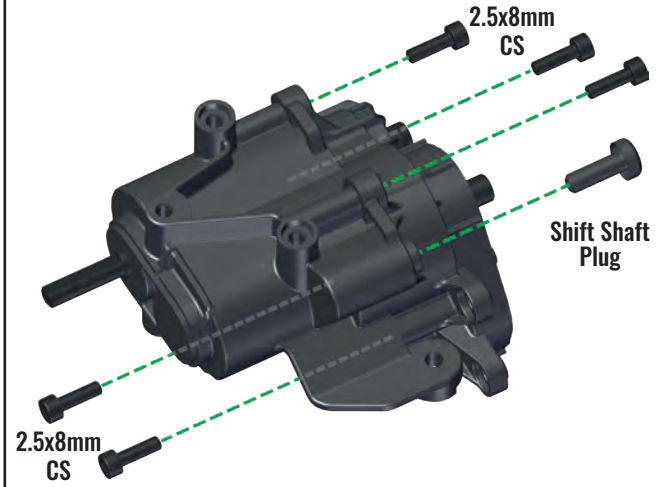


A3. Install input and output assemblies into main transmission housing

1 Place assemblies into transmission case halves



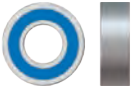
2 Secure transmission case halves together



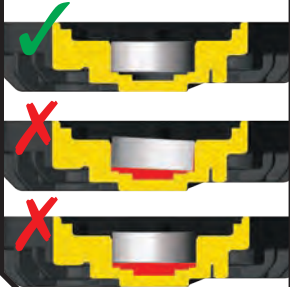
TRANSMISSION BAG

Transfer Case Cover

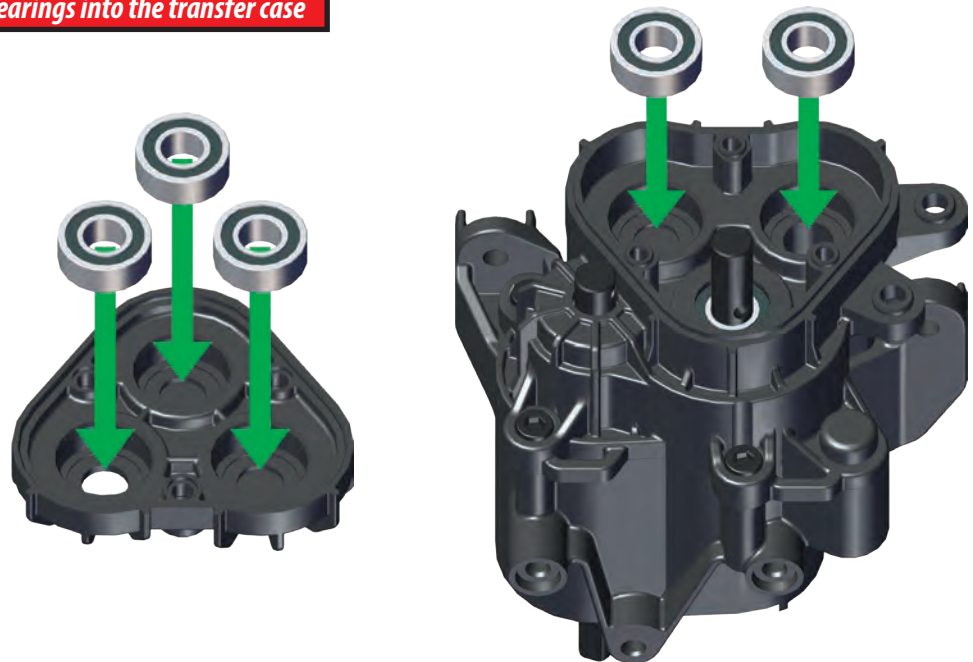
5x11x4mm BB (5)



Note: Bearing Seating
Press down hard to ensure bearings are fully seated.



A4. Install bearings into the transfer case



A. TRANSMISSION ASSEMBLY

TRANSMISSION BAG

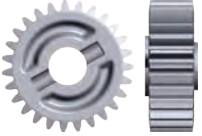
Long Transfer Case Output Shaft

Short Transfer Case Output Shaft

2x9.8 Pin (3)



27T Transfer Case Gear (3)



5x8x0.5mm PTFE Washer (2)

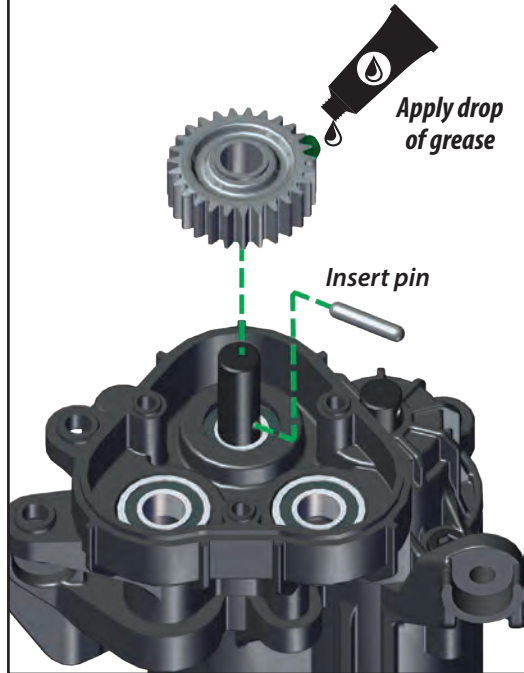


TOOLS BAG

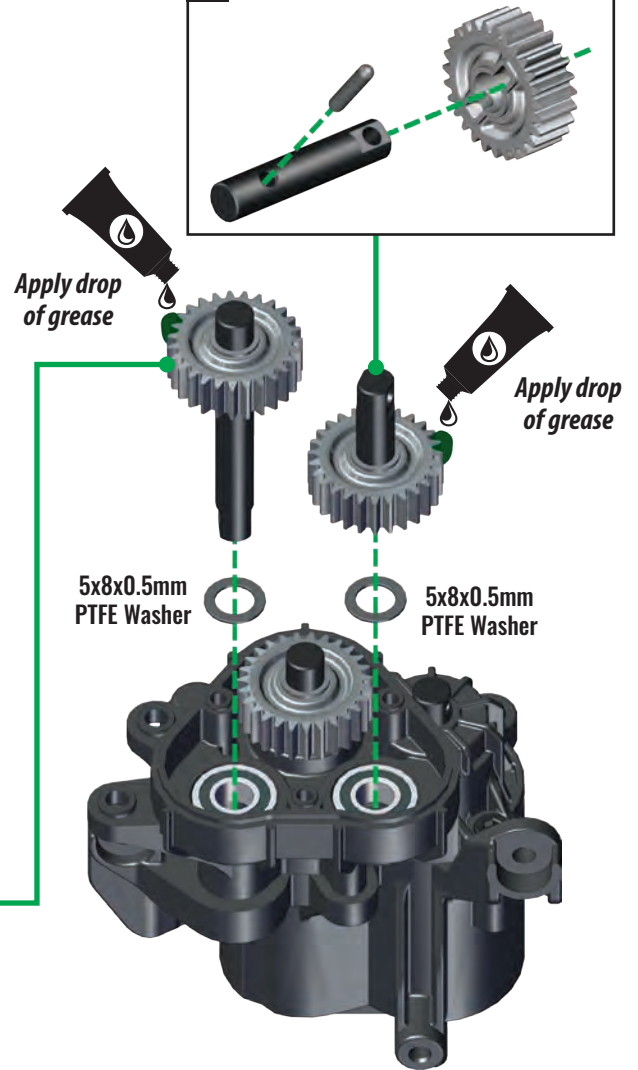
High Performance Grease

A5. Assemble and install transfer case gears

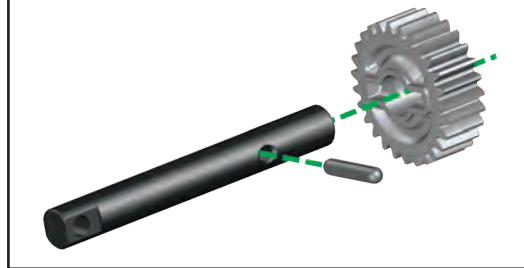
1 27T transfer case gear assembly



2 Short output shaft assembly



3 Long output shaft assembly



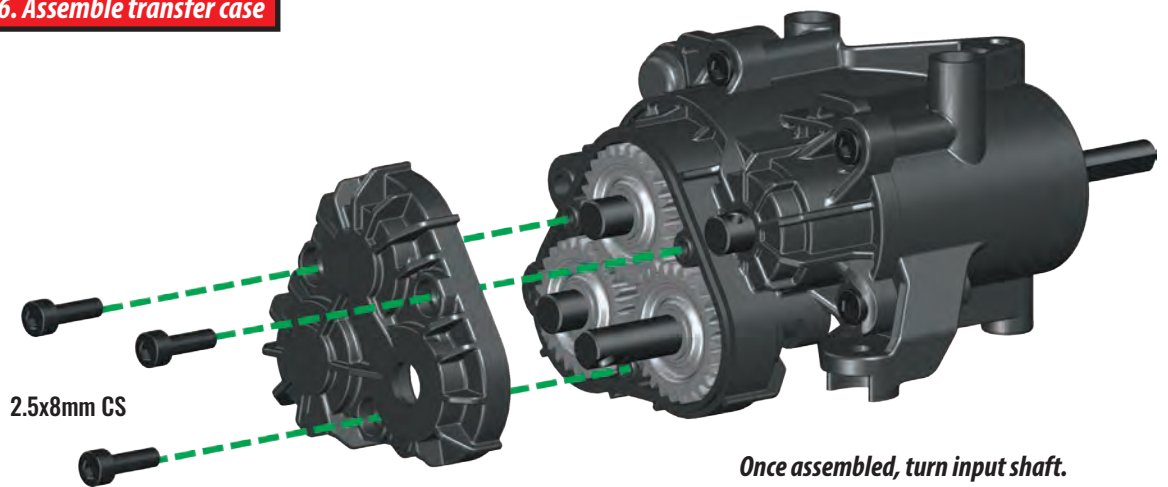
TRANSMISSION BAG

Transfer Case Cover

2.5x8mm CS (3)



A6. Assemble transfer case



Once assembled, turn input shaft.
The gears should spin freely with no binding.



A. TRANSMISSION ASSEMBLY

TRANSMISSION BAG

39T Spur Gear

Locknut



4x8 Metal Washer



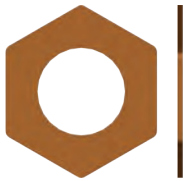
Spring Washer



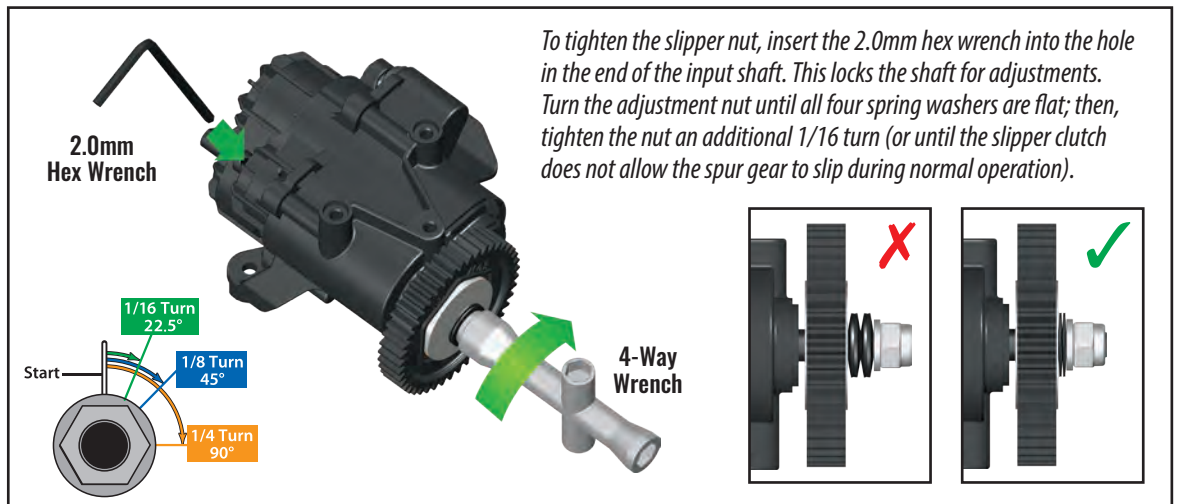
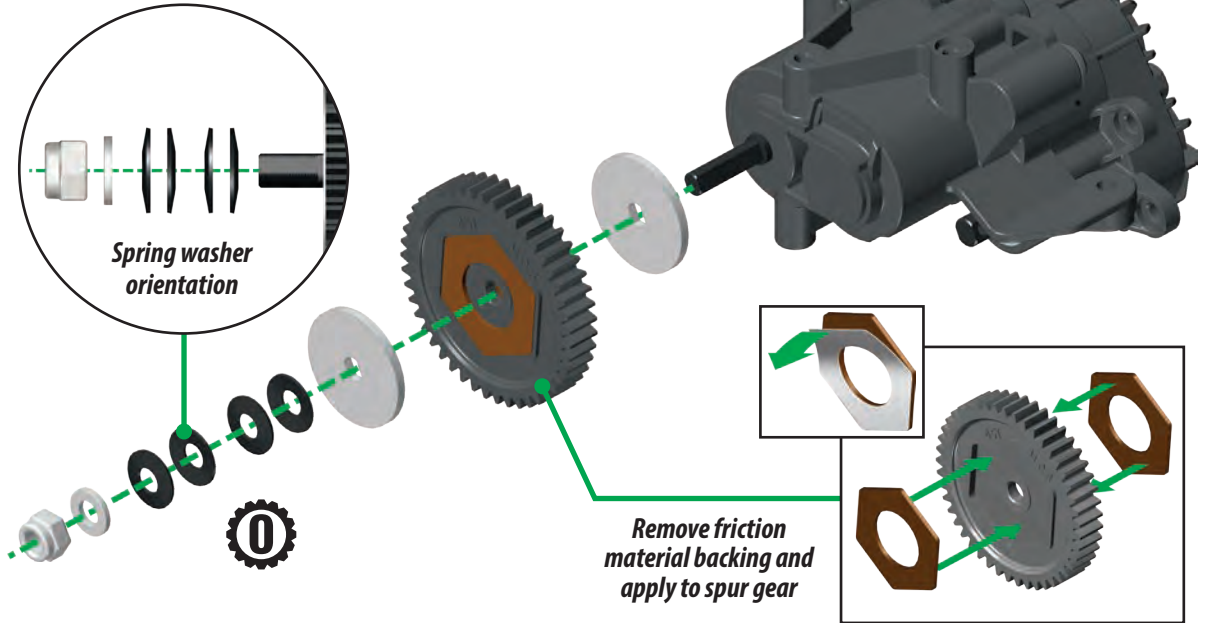
Slipper Plate



Slipper Friction Material



A7. Install slipper clutch and spur gear



ACCESSORY

- Option Part 8249 Slipper Eliminator

Completed transmission assembly



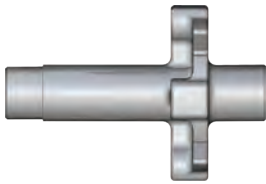
B. REAR AXLE ASSEMBLY

SPOOL BAG

Ring Gear



Differential Spool



2.5x8mm BCS (4)



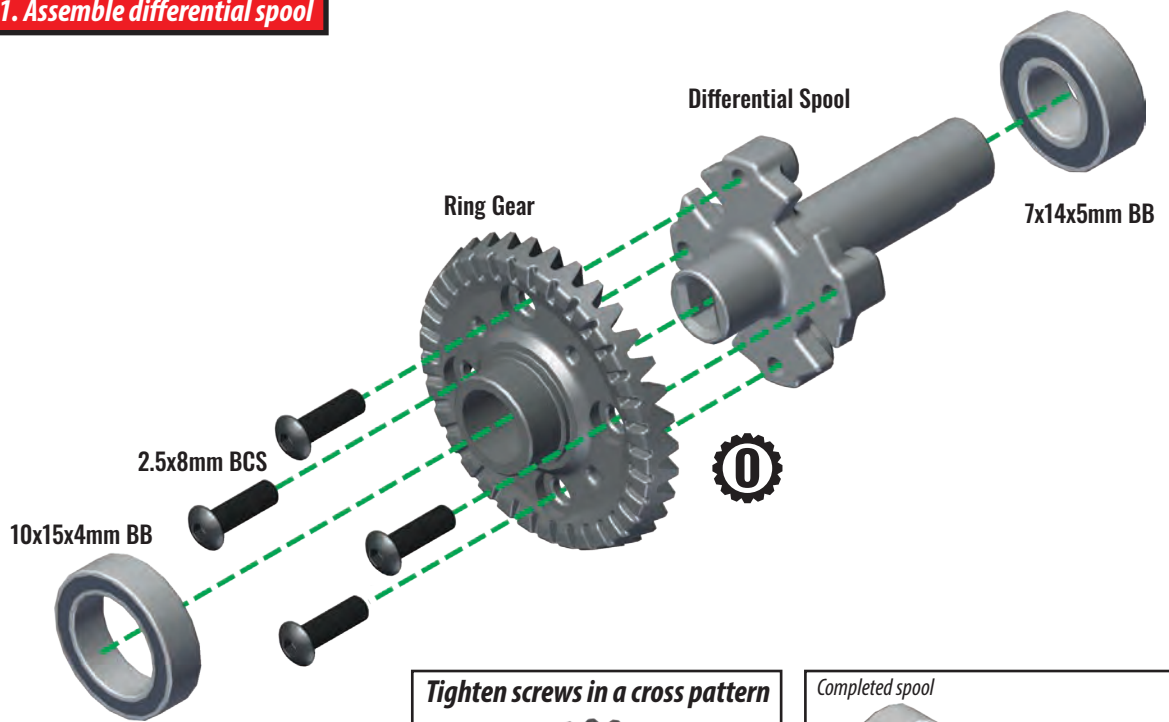
10x15x4mm BB




7x14x5mm BB



B1. Assemble differential spool



ACCESSORY

-  Option Part
8195 Locking Diff Kit
-  Option Part
8287 Overdrive Ring Gear
8288 Underdrive Ring Gear
8279R Machined Ring Gear

Tighten screws in a cross pattern



Completed spool



REAR AXLE BAG

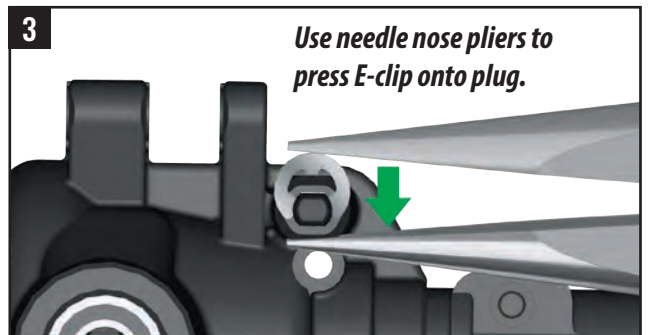
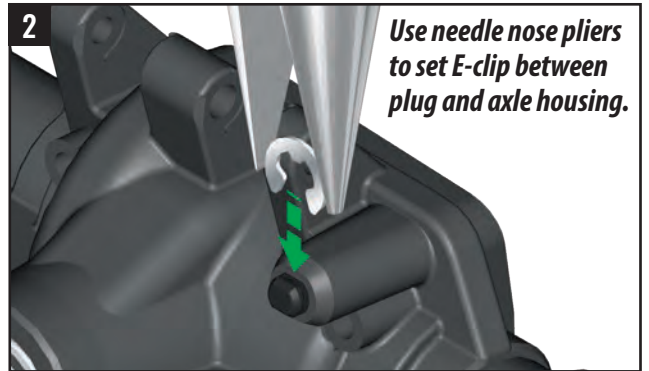
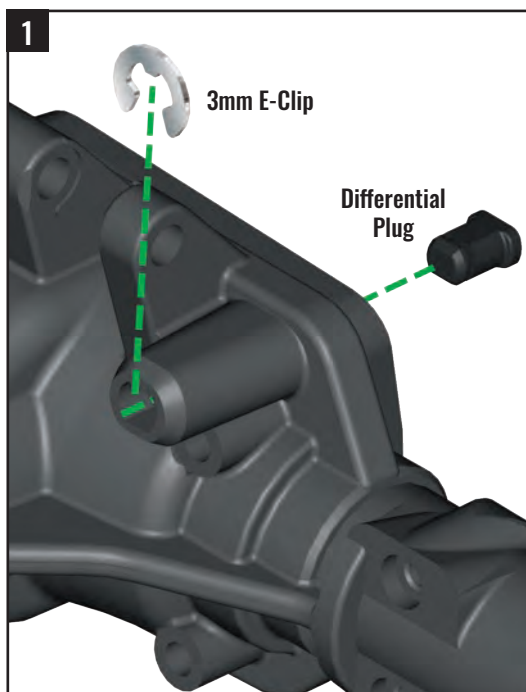
3mm E-Clip



Differential Plug



B2. Install differential plug



B. REAR AXLE ASSEMBLY

REAR AXLE BAG

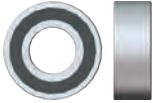
Rear Axle Housing
Spool Assembly
11T Pinion Gear



5x11x4mm BB



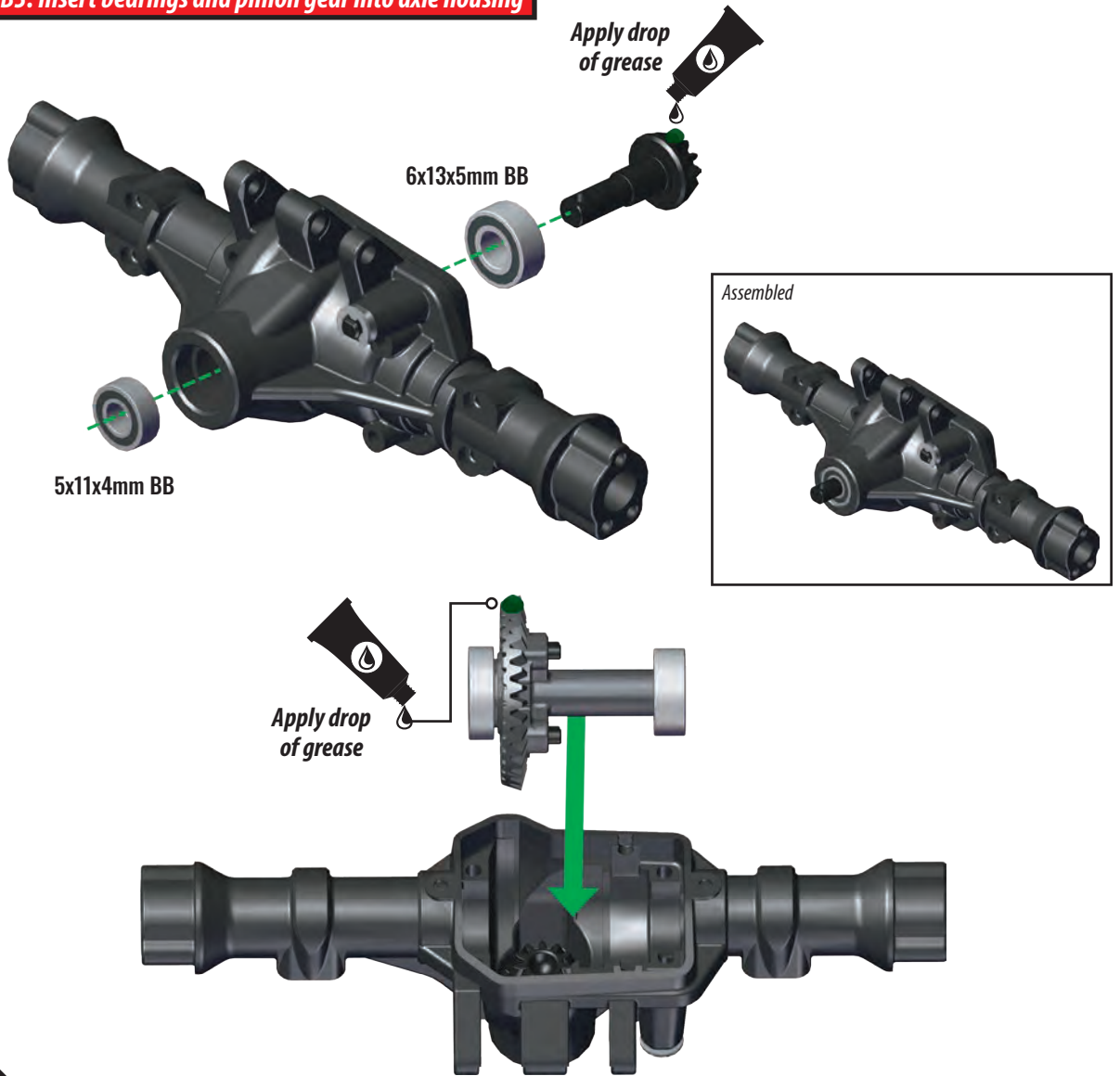
6x13x5mm BB



TOOLS BAG

High Performance Grease

B3. Insert bearings and pinion gear into axle housing



REAR AXLE BAG

Differential Housing Cover

2.5x16mm CS (4)

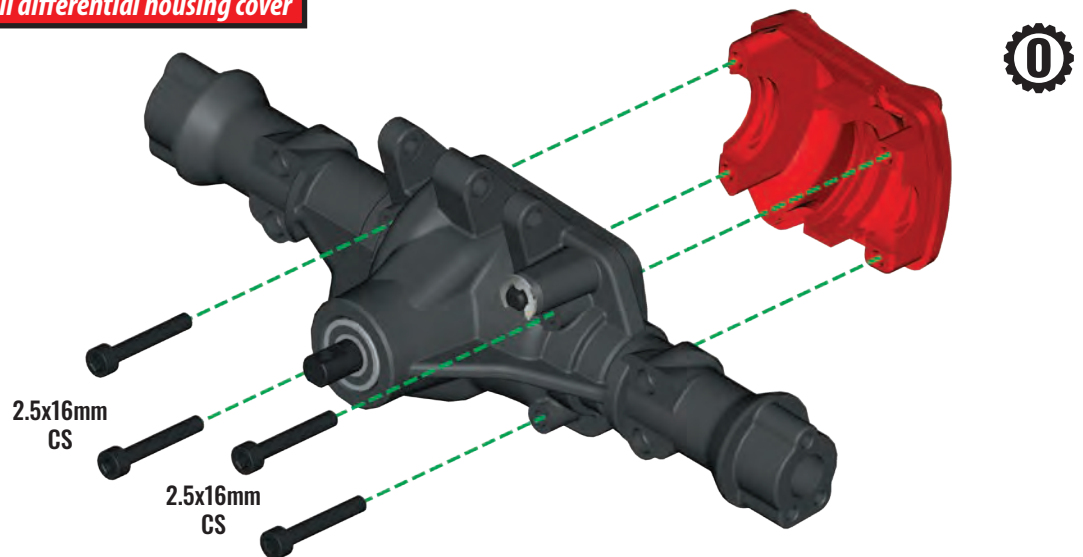


ACCESSORY

 Option Part
8280 Gray
Differential Cover

 Option Part
8280X Chrome
Differential Cover

B4. Install differential housing cover



B. REAR AXLE ASSEMBLY

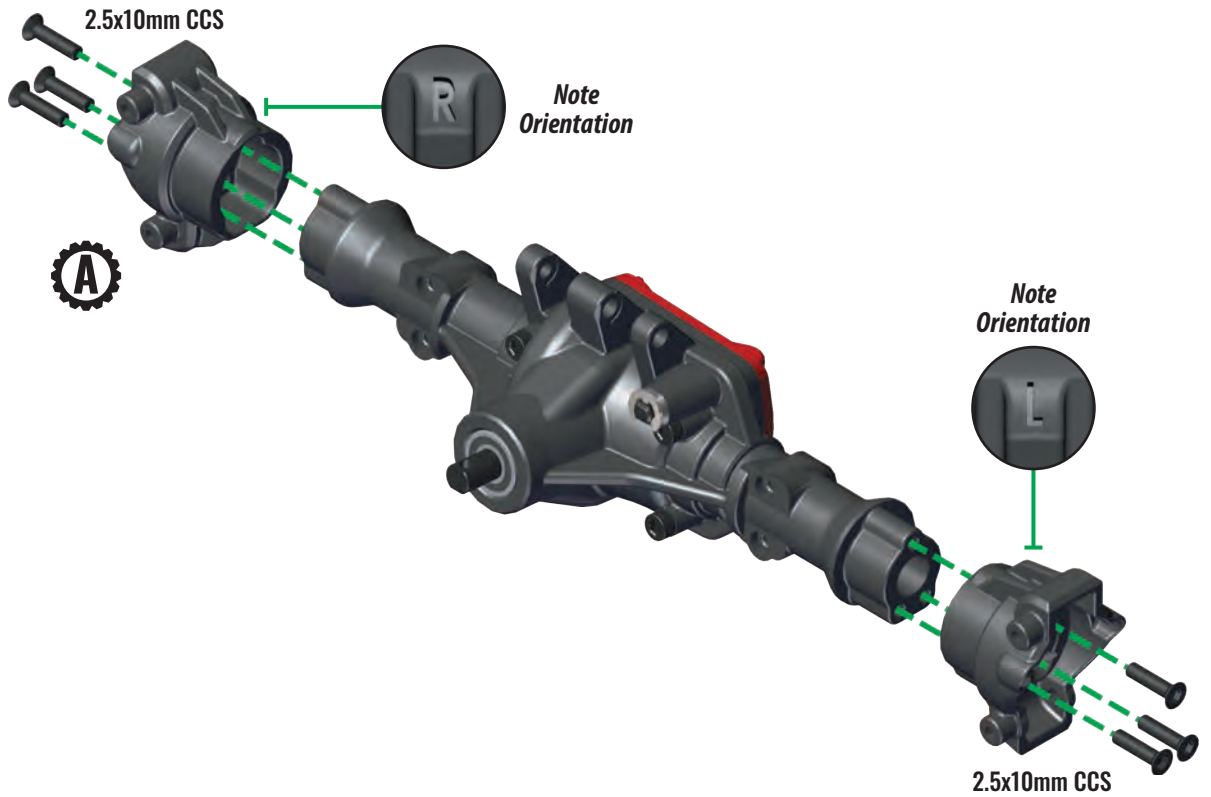
REAR AXLE BAG

Axle Portal Mounts (2)

2.5x10mm CCS (6)



B5. Install axle portal mounts to axle housing



ACCESSORY

A Aluminum Accessory Portal Axle Adapter

REAR AXLE BAG

Inner Rear Portal Housing

Outer Rear Portal Housing

4x10x4mm BB



6x12x4mm BB



6x13x5mm BB

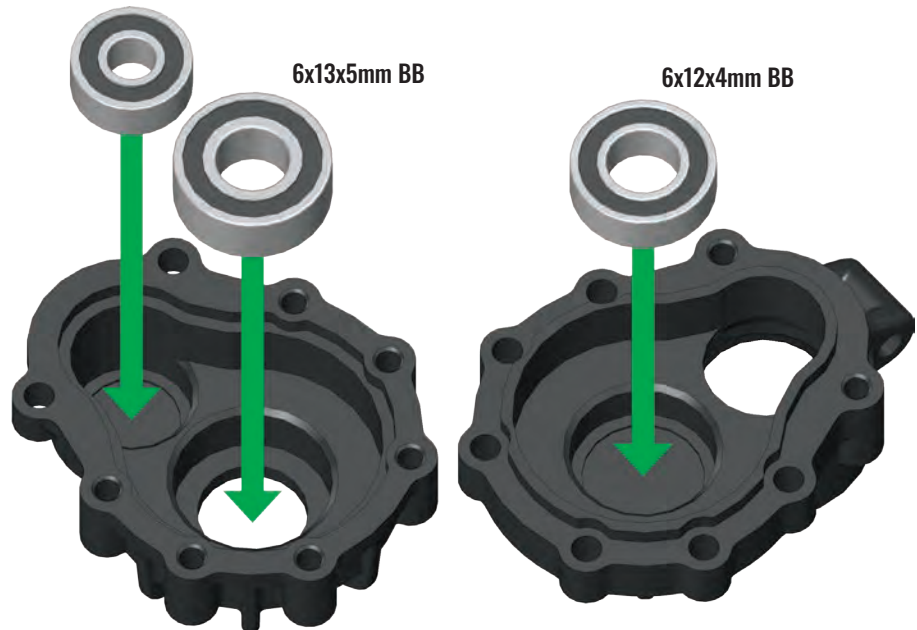


B6. Insert bearings into portal housings

4x10mm BB

6x13x5mm BB

6x12x4mm BB



x2



B. REAR AXLE ASSEMBLY

REAR AXLE BAG

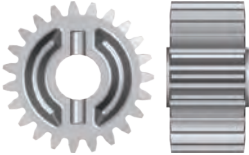
2x12mm Pin



10x15x4mm BB



Portal Output Gear



Portal Stub Axle



Portal Input Gear (Rear)



TOOLS BAG

High Performance Grease

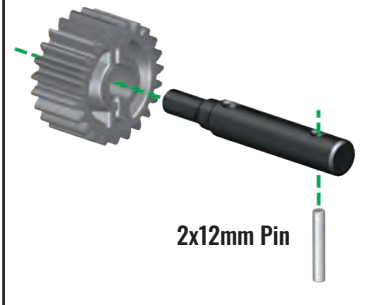
ACCESSORY

- Option Part 8065 Machined Input Gear
- Option Part 8063 Heavy Duty Axle
- Aluminum Accessory Aluminum Portal Housings

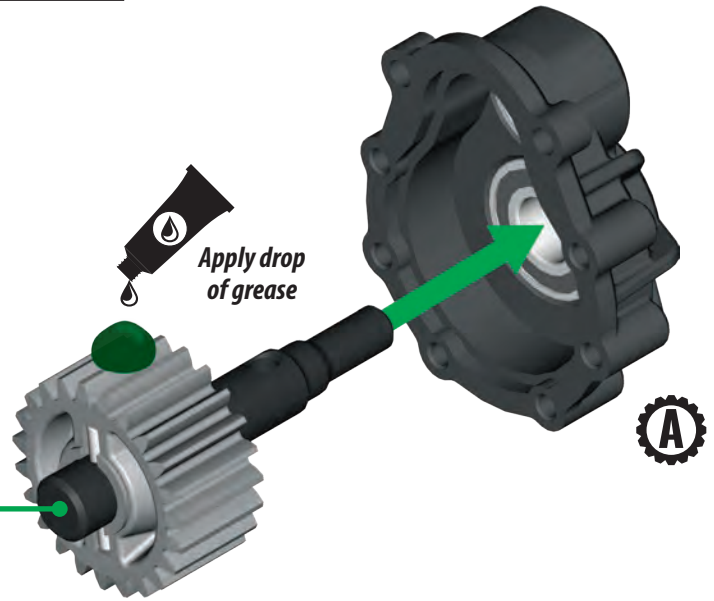
x2

B7. Assemble and install portal input and output gears

Portal output gear assembly

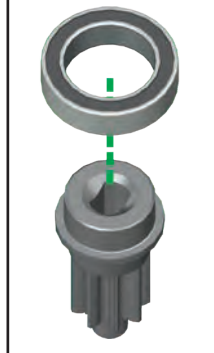


2x12mm Pin

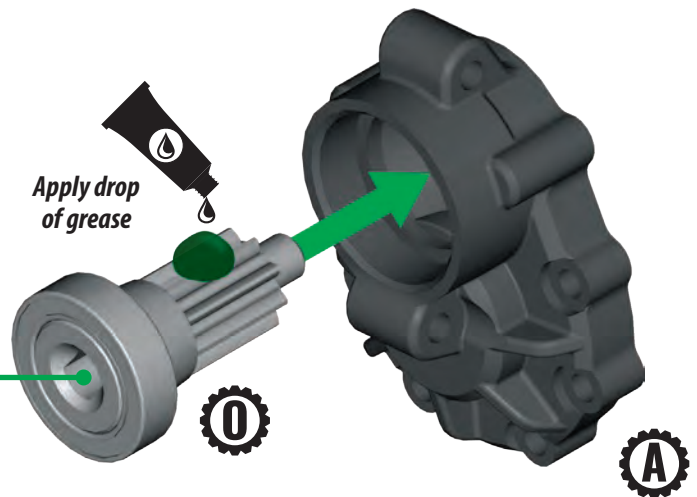


Portal input gear assembly

10x15x4mm BB



Apply drop of grease



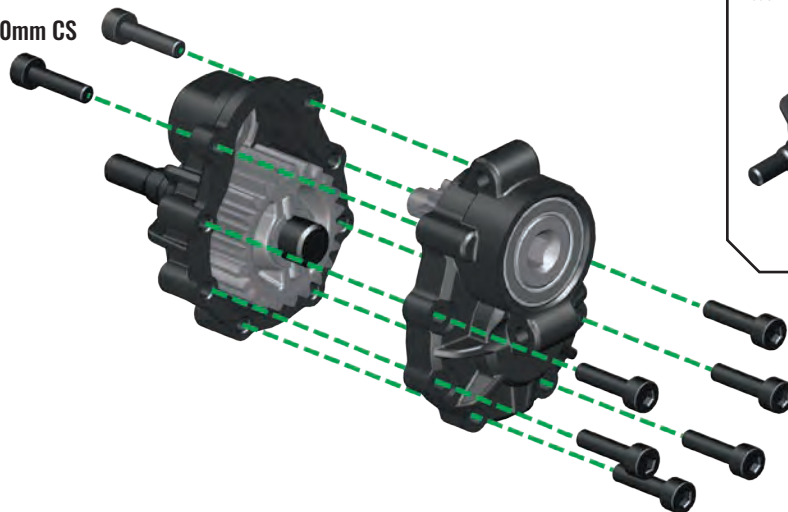
REAR AXLE BAG

2.5x10mm CS (8)



B8. Assemble portal housings

2.5x10mm CS



Assembled



2.5x10mm CS

B. REAR AXLE ASSEMBLY

REAR AXLE BAG

2.5x16mm CS (4)



Right Axle Driveshaft



Left Axle Driveshaft

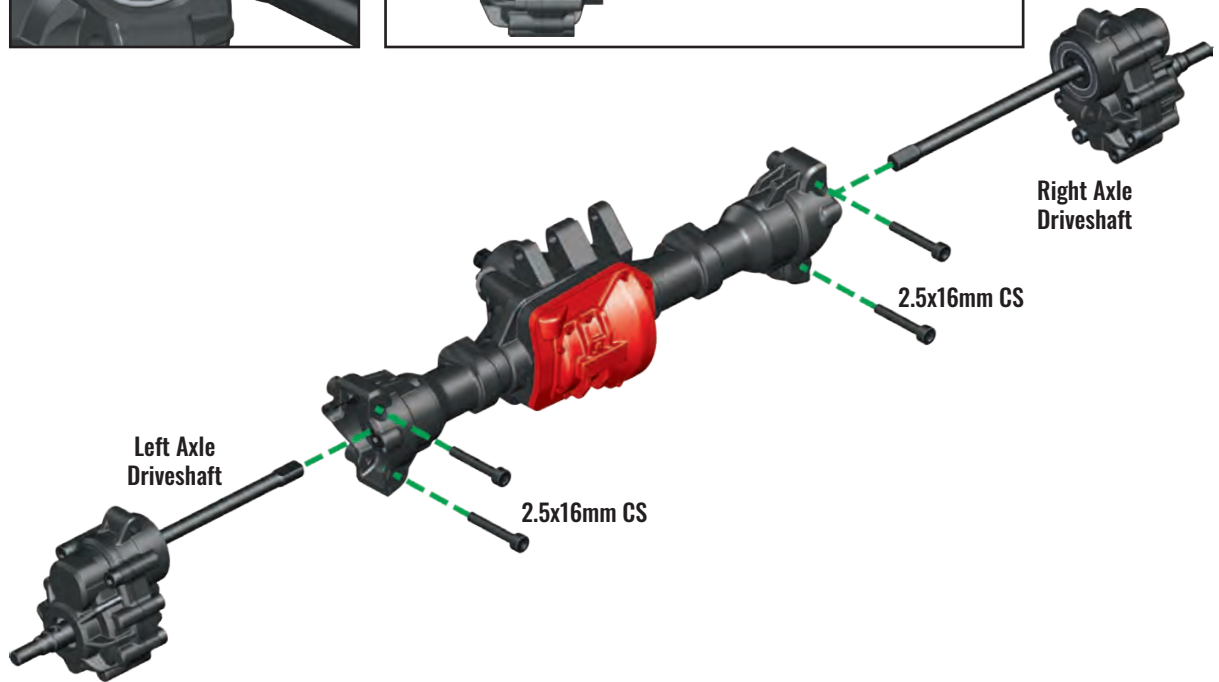
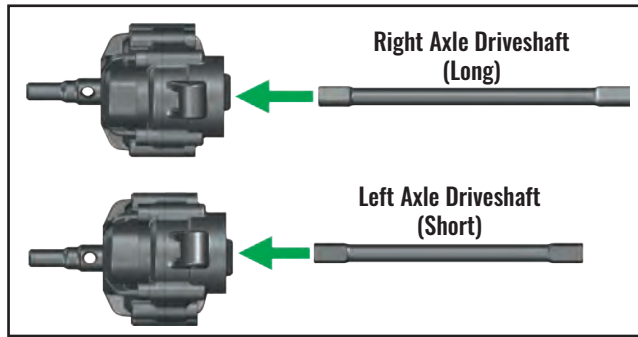
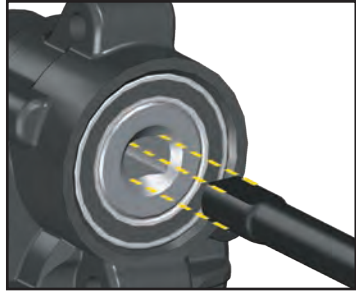


ACCESSORY



Option Part
8061 Heavy Duty
Rear Axles

B9. Install axle driveshafts



REAR AXLE BAG

Left Link Mount

Right Link Mount

2.5x10mm CS (4)



3x10mm Screw Pin (2)



12mm Wheel Hex (2)

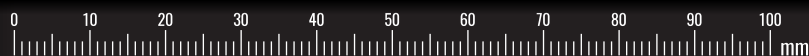
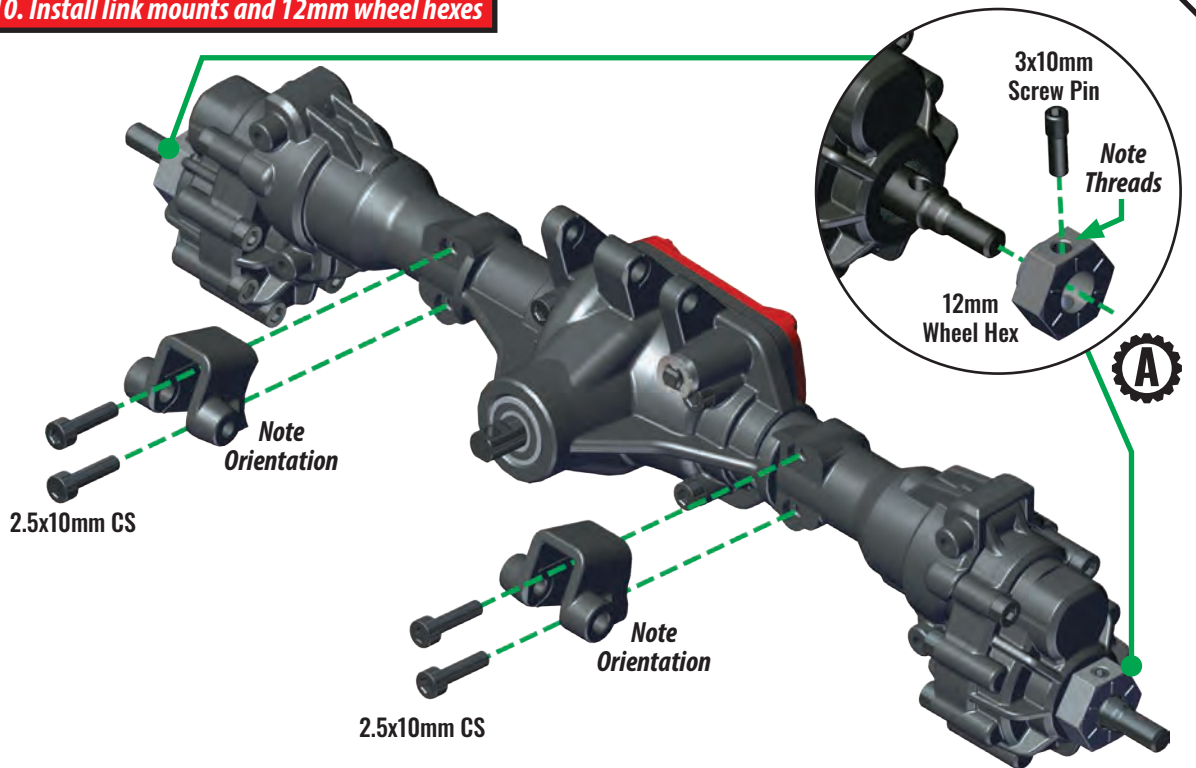


ACCESSORY



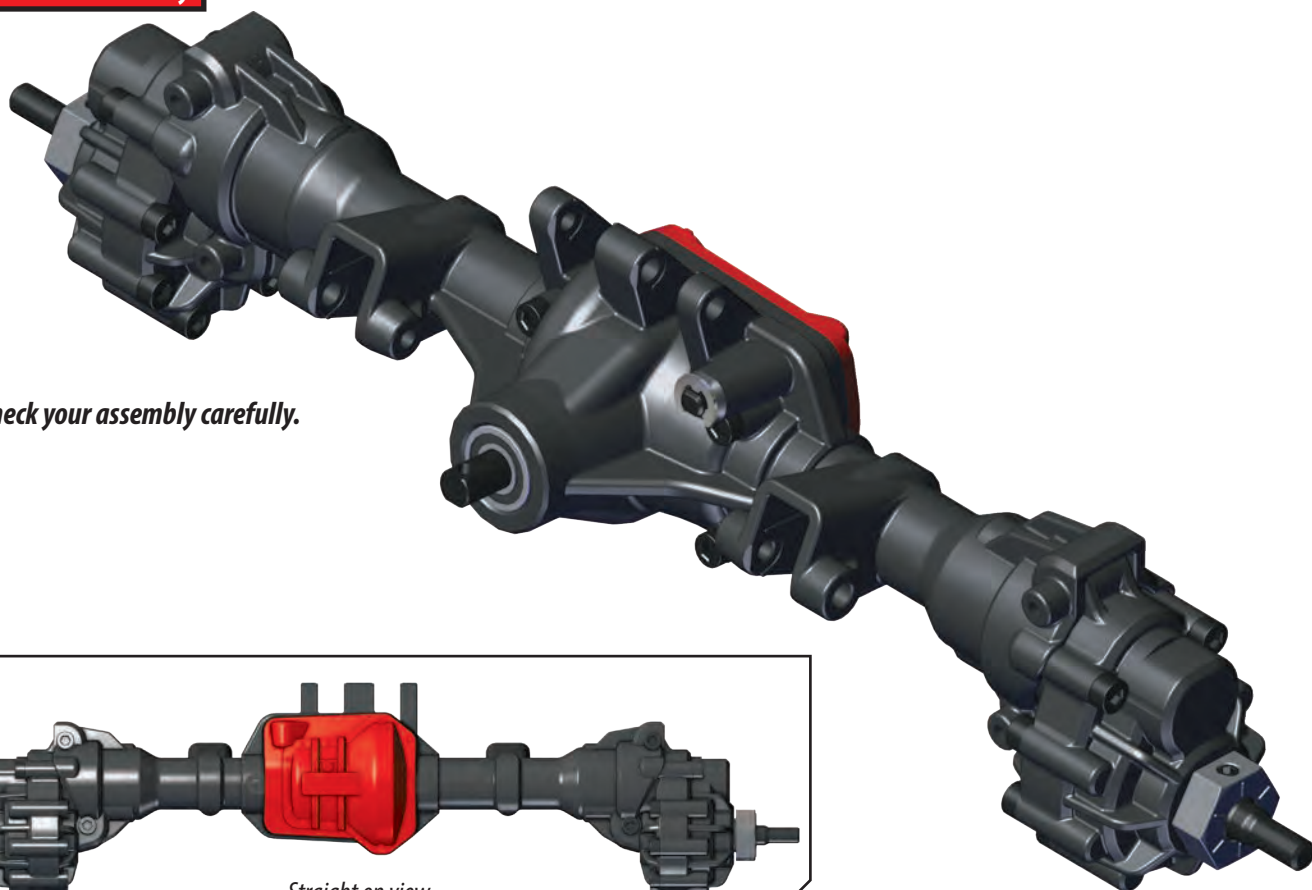
Aluminum Accessory
Aluminum Wheel Hex

B10. Install link mounts and 12mm wheel hexes

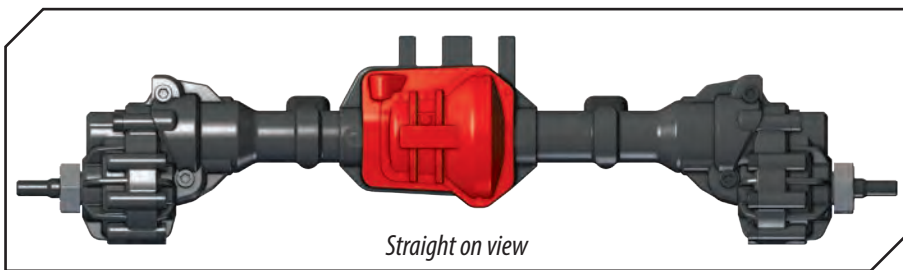


B. REAR AXLE ASSEMBLY

Completed rear axle assembly



Check your assembly carefully.



Straight on view

C. FRONT AXLE ASSEMBLY

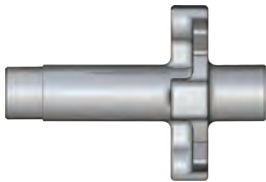
SPOOL BAG

C1. Assemble differential spool

Ring Gear



Differential Spool



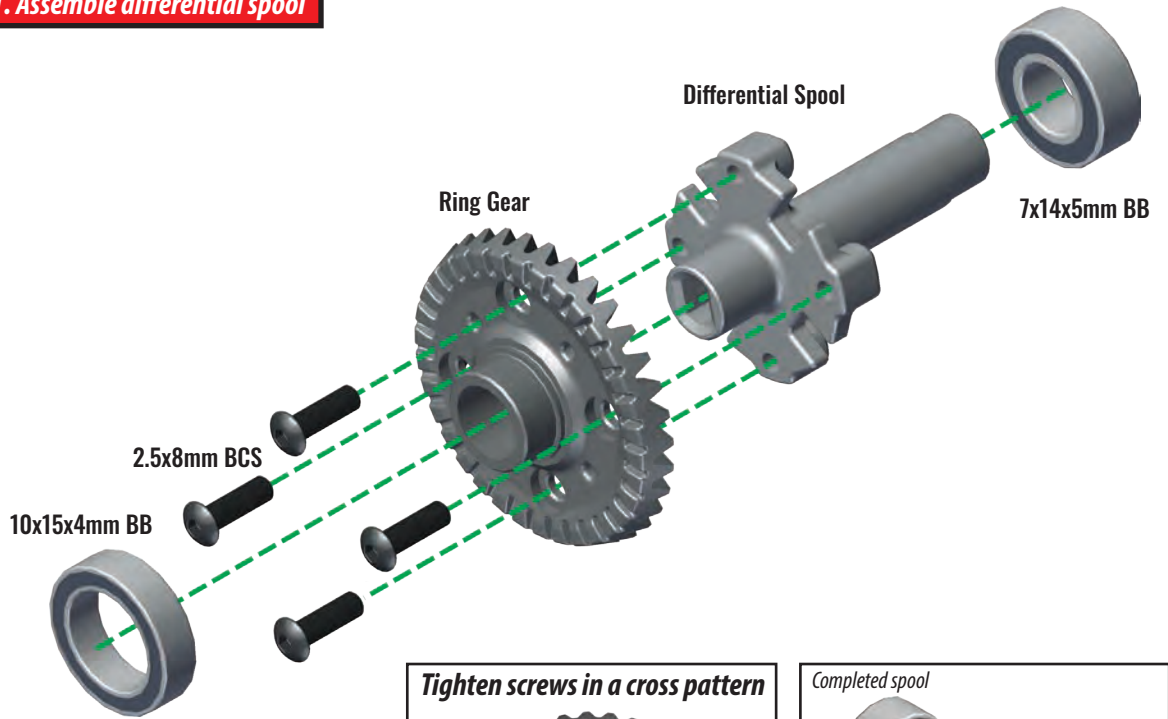
2.5x8mm BCS (4)



10x15x4mm BB



7x14x5mm BB



ACCESSORY

- Option Part
8195 Locking Diff Kit
- Option Part
8287 Overdrive Ring Gear
8288 Underdrive Ring Gear
8279R Machined Ring Gear

Tighten screws in a cross pattern



Completed spool



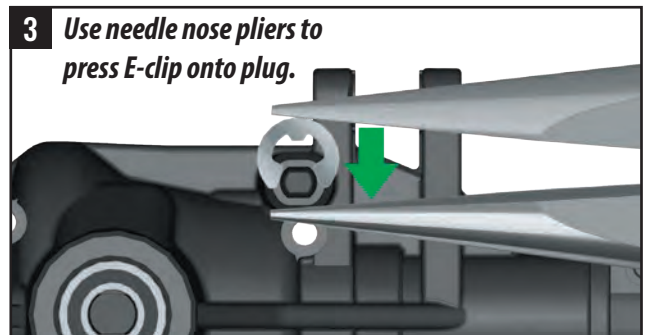
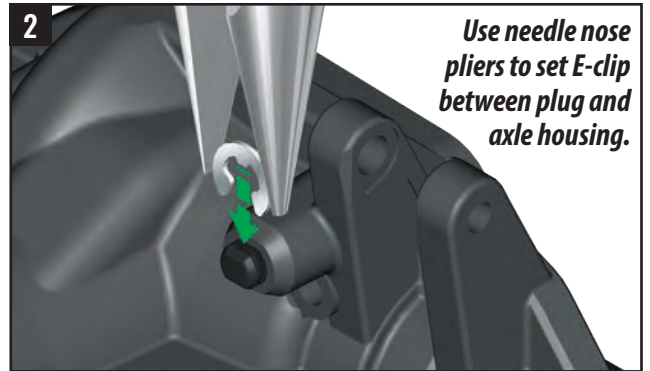
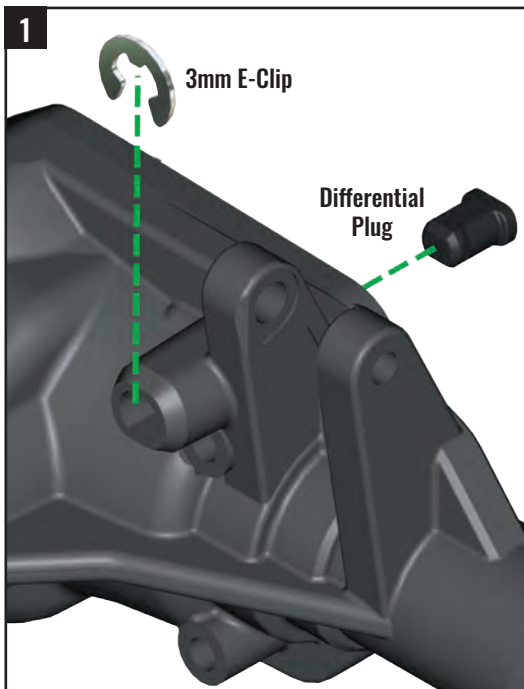
FRONT AXLE BAG

C2. Install differential plug

3mm E-Clip



Differential Plug



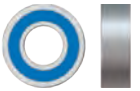
C. FRONT AXLE ASSEMBLY

FRONT AXLE BAG

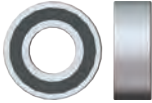
Front Axle Housing
Spool Assembly
11T Pinion Gear



5x11x4mm BB



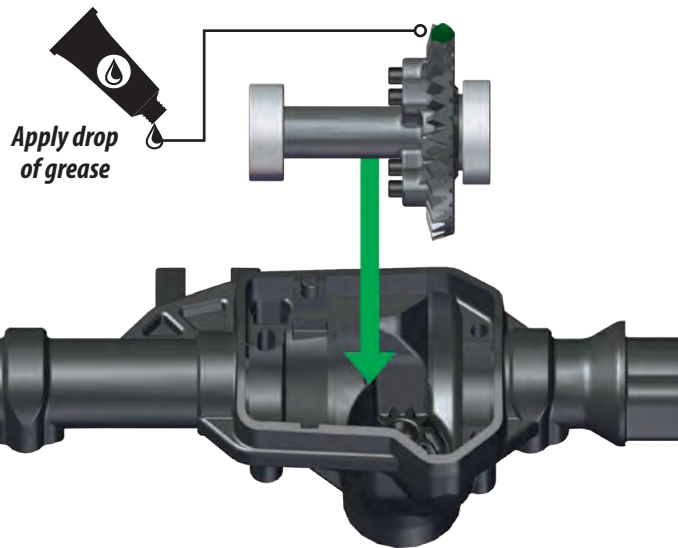
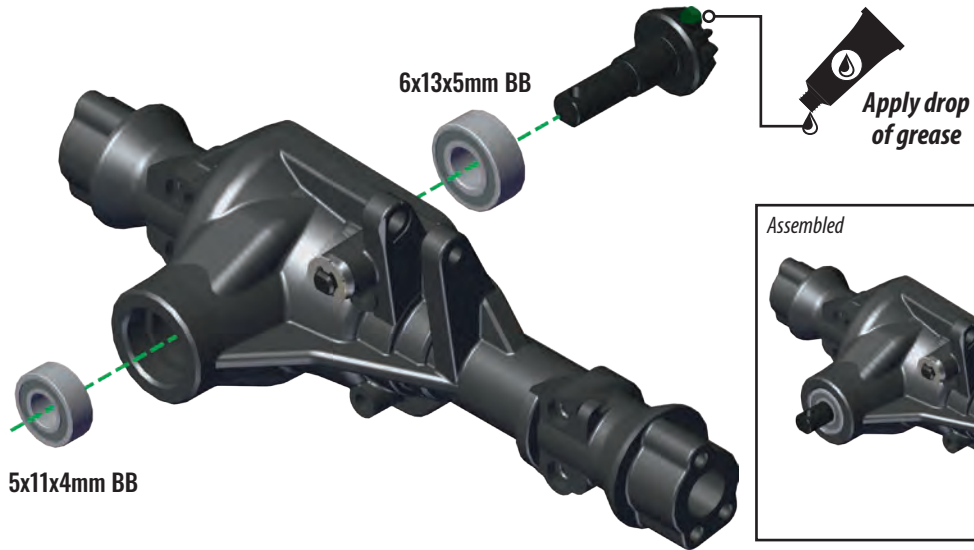
6x13x5mm BB



TOOLS BAG

High Performance Grease

C3. Insert bearings and pinion gear into axle housing



REAR AXLE BAG

Differential Housing Cover

2.5x16mm CS (4)

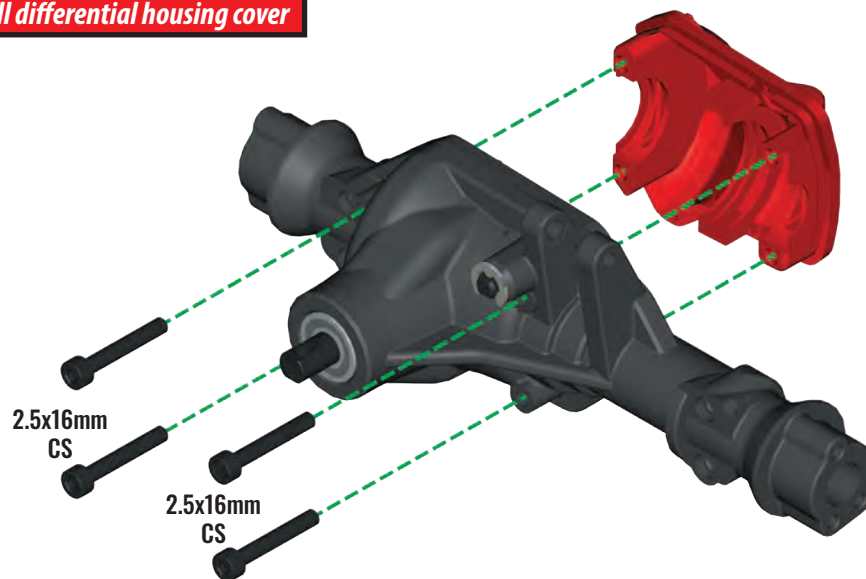


ACCESSORY

Option Part
8280 Gray
Differential Cover

Option Part
8280X Chrome
Differential Cover

C4. Install differential housing cover



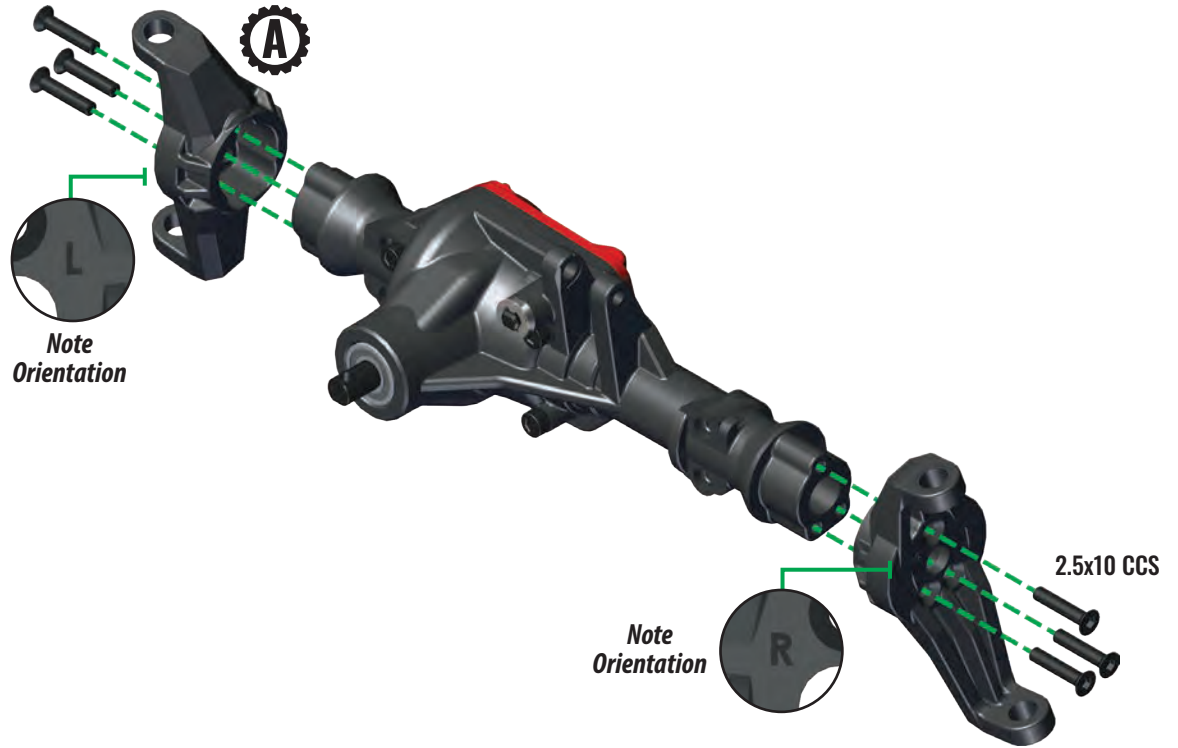
C. FRONT AXLE ASSEMBLY

FRONT AXLE BAG

- Left Caster Block
- Right Caster Block
- 2.5x10mm CCS (6)

C5. Install caster blocks onto axle housing

2.5x10 CCS



Note
Orientation

Note
Orientation

ACCESSORY

- A** Aluminum Accessory Caster Blocks

FRONT AXLE BAG

- Inner Front Portal Housing
- Outer Front Portal Housing

4x10x4mm BB



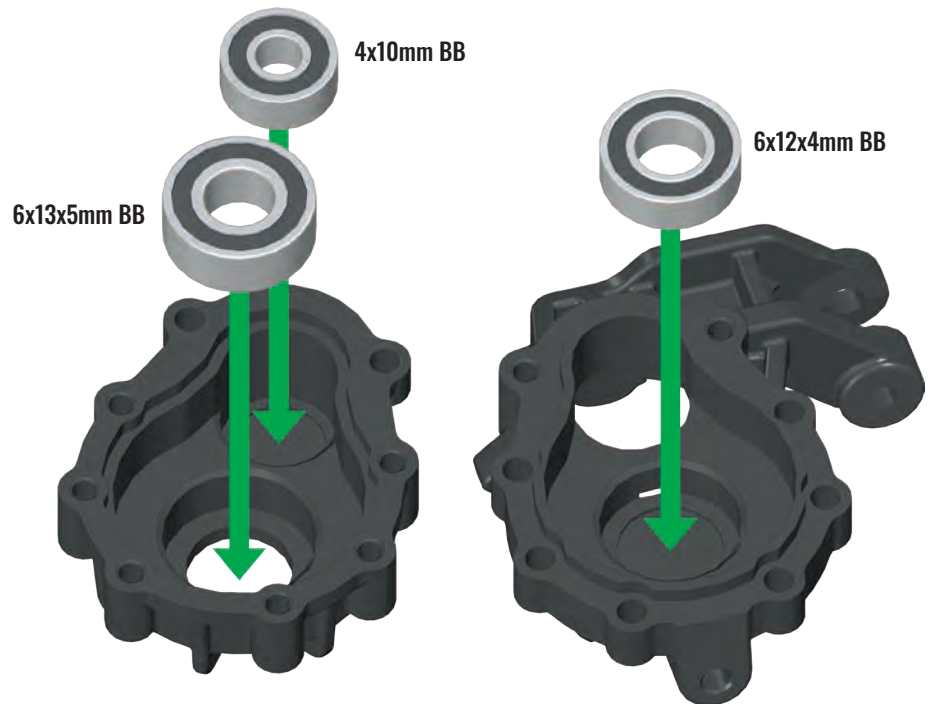
6x12x4mm BB



6x13x5mm BB



C6. Insert bearings into portal housings



x2



C. FRONT AXLE ASSEMBLY

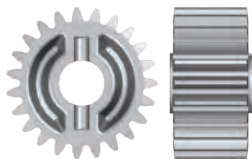
FRONT AXLE BAG

- Front Left Driveshaft
- Front Right Driveshaft
- 2.5x4mm BCS (3)
- 2.5x10mm CS (8)
- 2x12mm Pin (2)
- CV Crosspin

12x18x4mm BB



Portal Output Gear



Portal Stub Axle



Portal Input Gear (Front)

TOOLS BAG

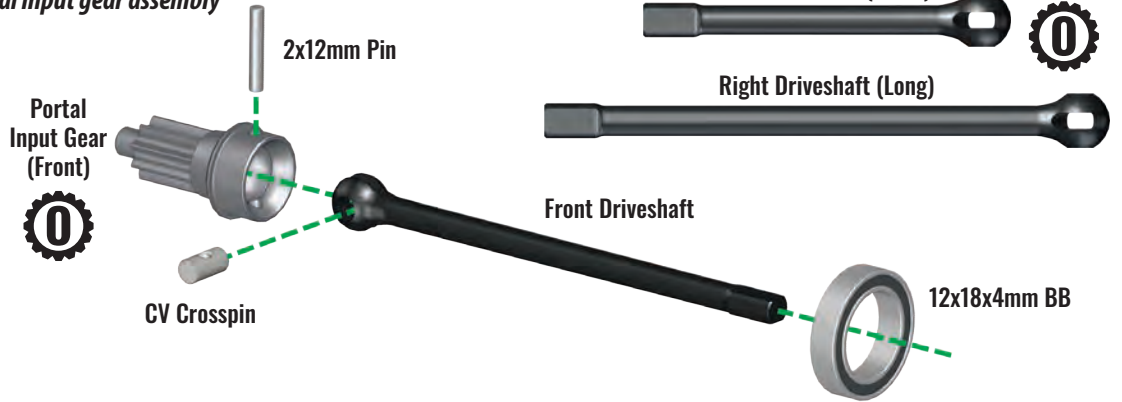
High Performance Grease

ACCESSORY

- Option Part 8064 Machined Input Gear
- Option Part 8060 Heavy Duty Axle
- Aluminum Accessory Aluminum Portal Housings

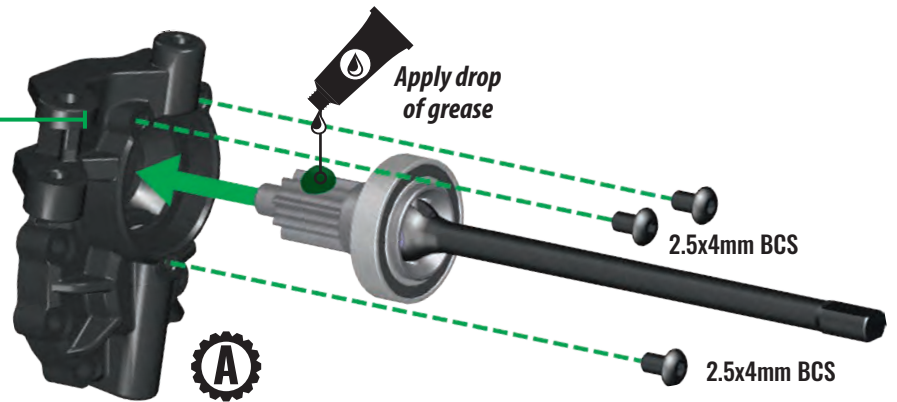
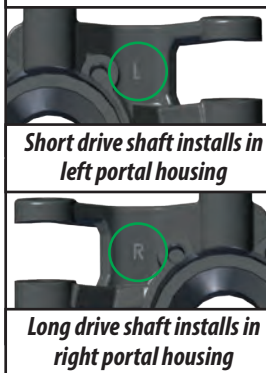
C7. Assemble and install portal input and output gears

1 Portal input gear assembly

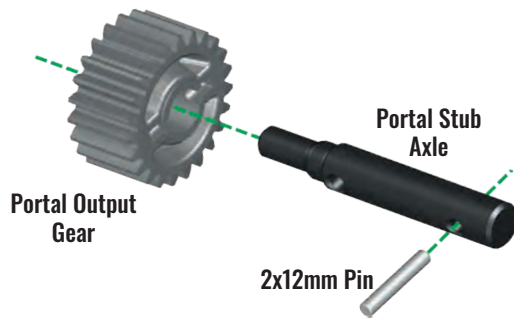


2

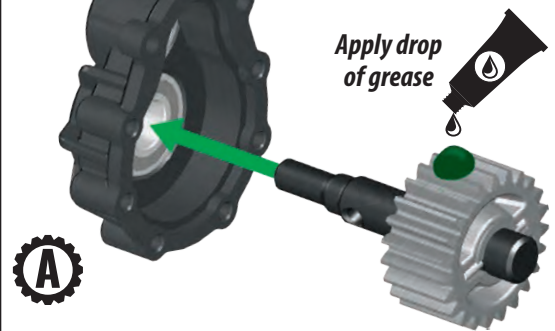
Note Orientation!



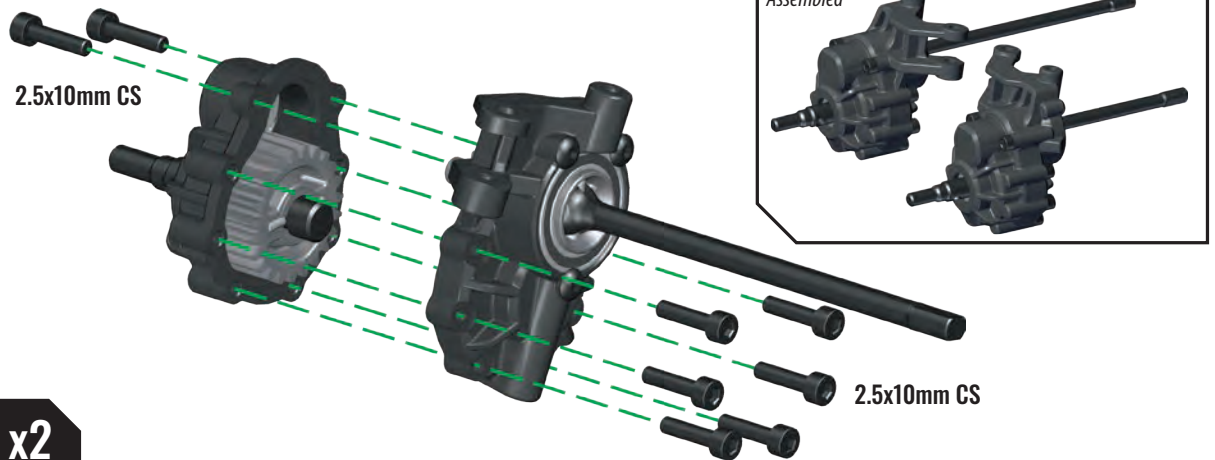
1 Portal output gear assembly



2



Assemble portal housings



x2

C. FRONT AXLE ASSEMBLY

FRONT AXLE BAG

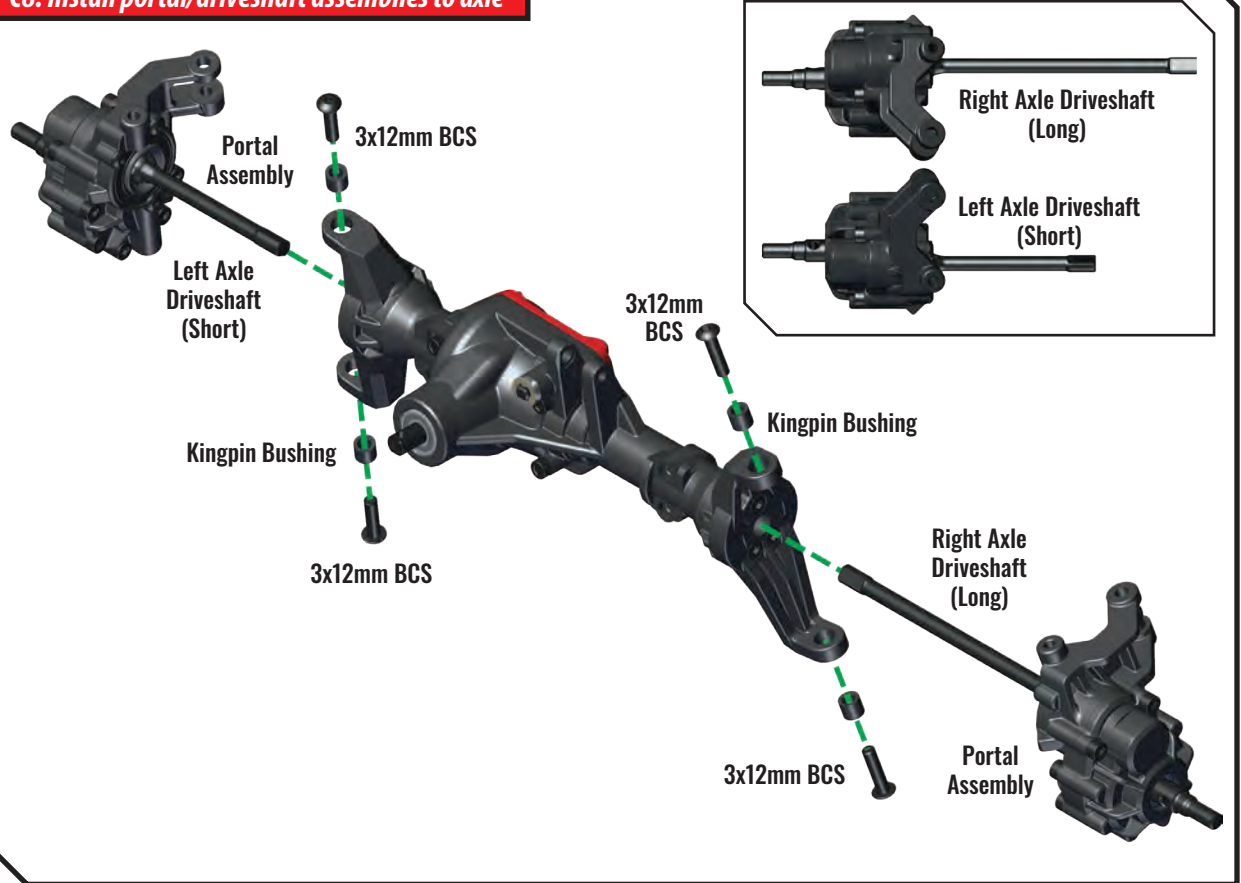
3x12mm BCS (4)



Kingpin Bushing (4)



C8. Install portal/driveshaft assemblies to axle



FRONT AXLE BAG

Left Link Mount

Right Link Mount

2.5x10mm CS (4)



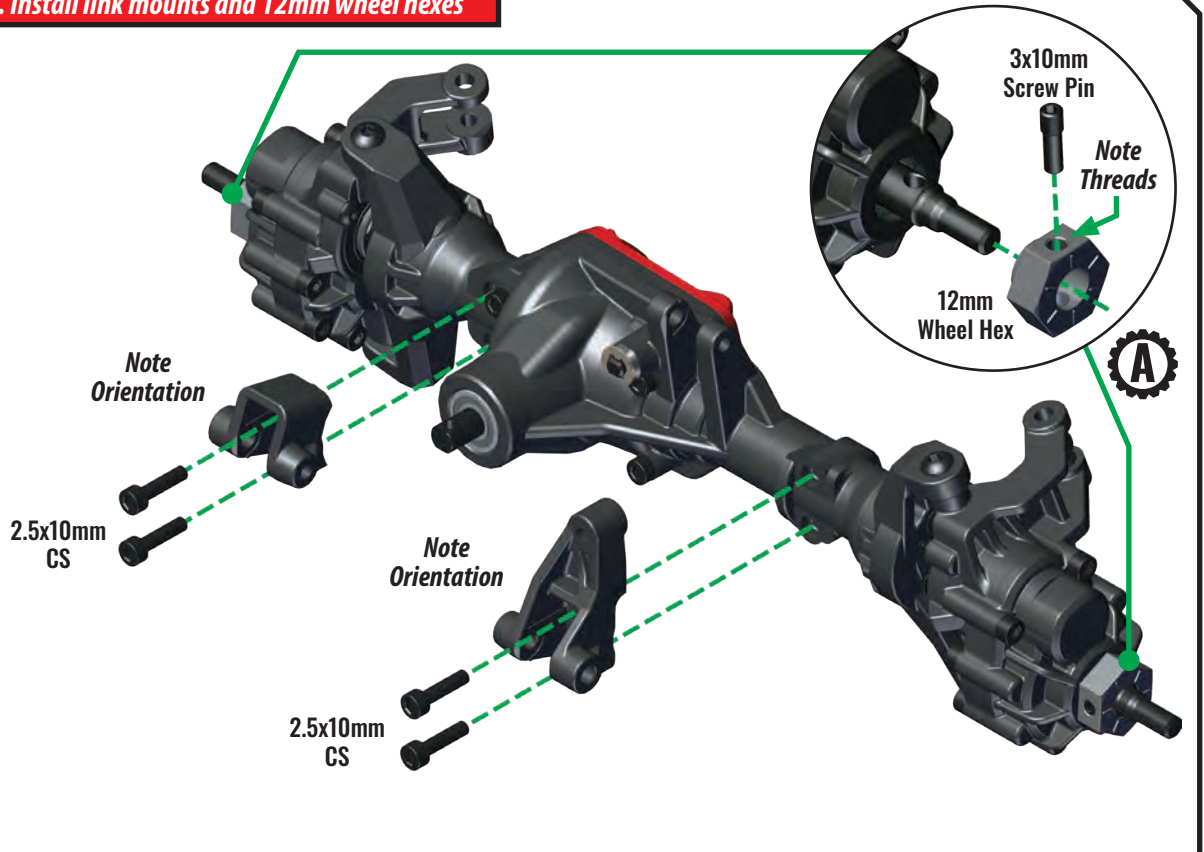
3x10mm Screw Pin (2)



12mm Wheel Hex (2)



C9. Install link mounts and 12mm wheel hexes



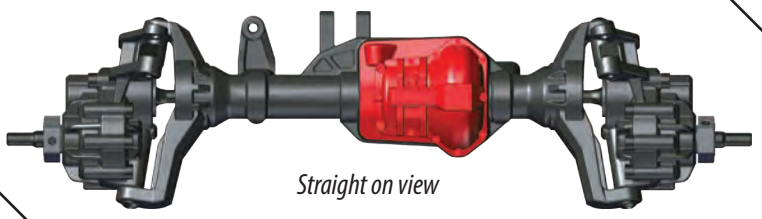
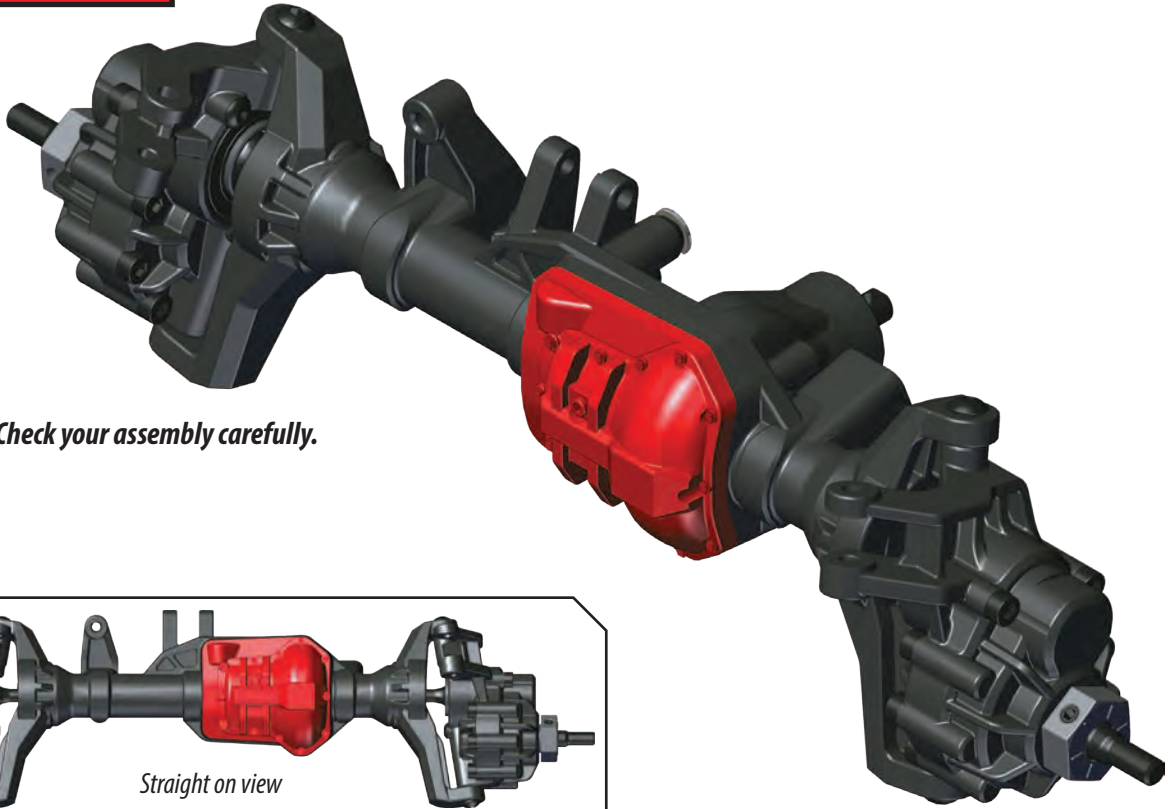
ACCESSORY

- A** Aluminum Accessory
- Aluminum Wheel Hex



C. FRONT AXLE ASSEMBLY

Completed front axle assembly

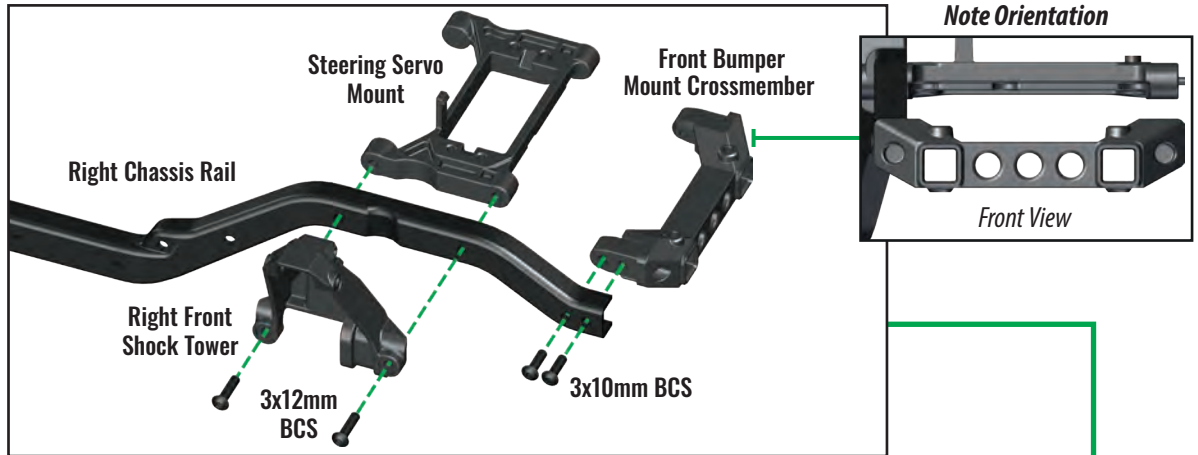


D. CHASSIS ASSEMBLY

CHASSIS PLASTICS BAG

D1. Assemble front bumper mount crossmember, steering servo mount, and shock tower to right chassis rail

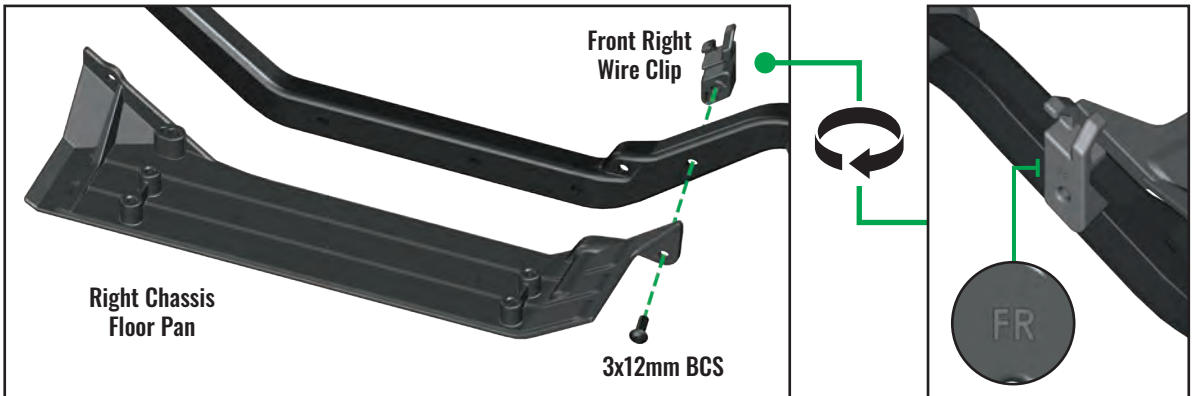
- Right Chassis Rail
- Steering Servo Mount
- Front Bumper Mount Crossmember
- Right Front Shock Tower
- 3x10mm BCS (2)
- 3x12mm BCS (2)



CHASSIS PLASTICS BAG

D2. Assemble right floor pan and right front wire clip to right chassis rail

- Right Chassis Floor Pan
- Front Right Wire Clip
- 3x12mm BCS



D. CHASSIS ASSEMBLY

CHASSIS PLASTICS BAG

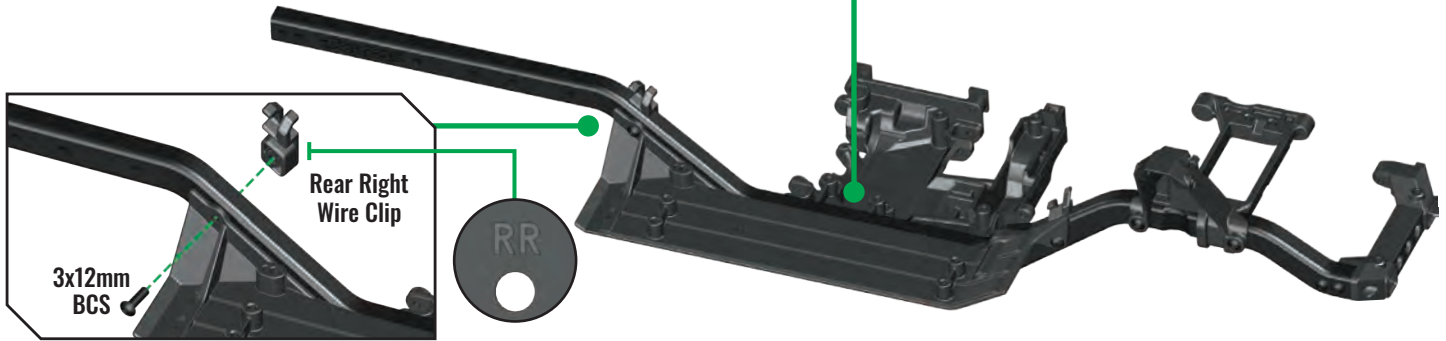
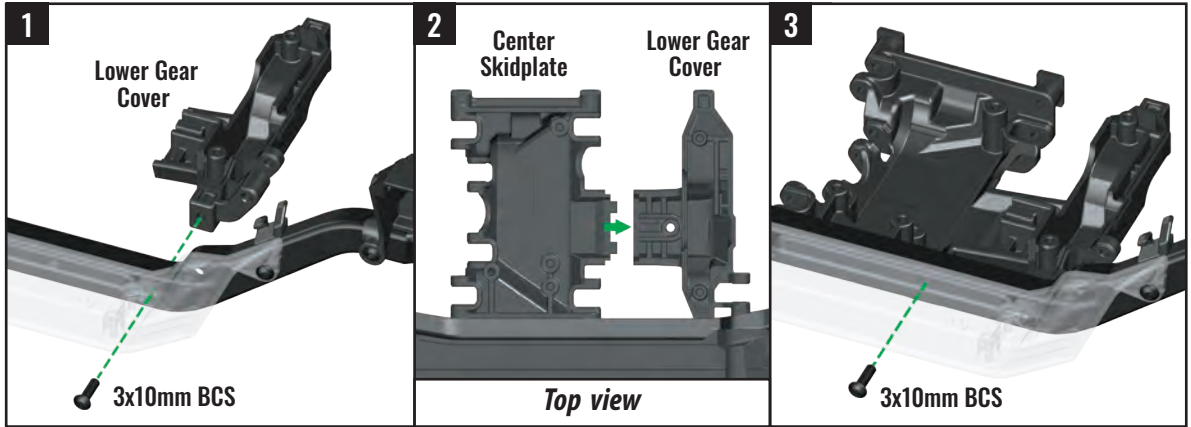
D3. Assemble front lower gear cover and center skidplate to chassis rail

- Lower Gear Cover
- Center Skidplate
- Rear Right Wire Clip

3x10mm BCS (2)



3x12mm BCS



CHASSIS PLASTICS BAG

D4. Assemble rear shock tower, damper crossmember, and rear bumper crossmember to right chassis rail

- Right Rear Shock Tower
- Damper Crossmember
- Rear Bumper Crossmember

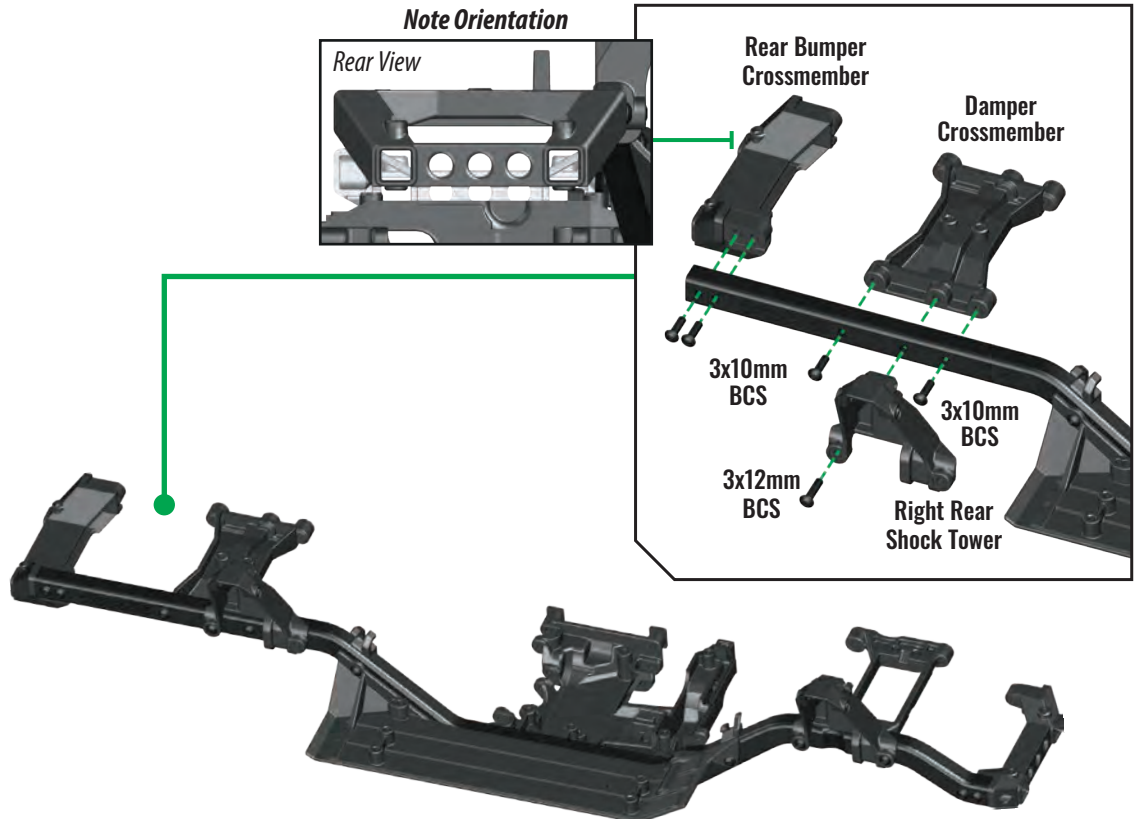
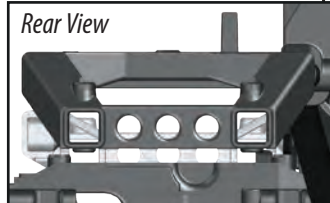
3x10mm BCS (4)



3x12mm BCS



Note Orientation



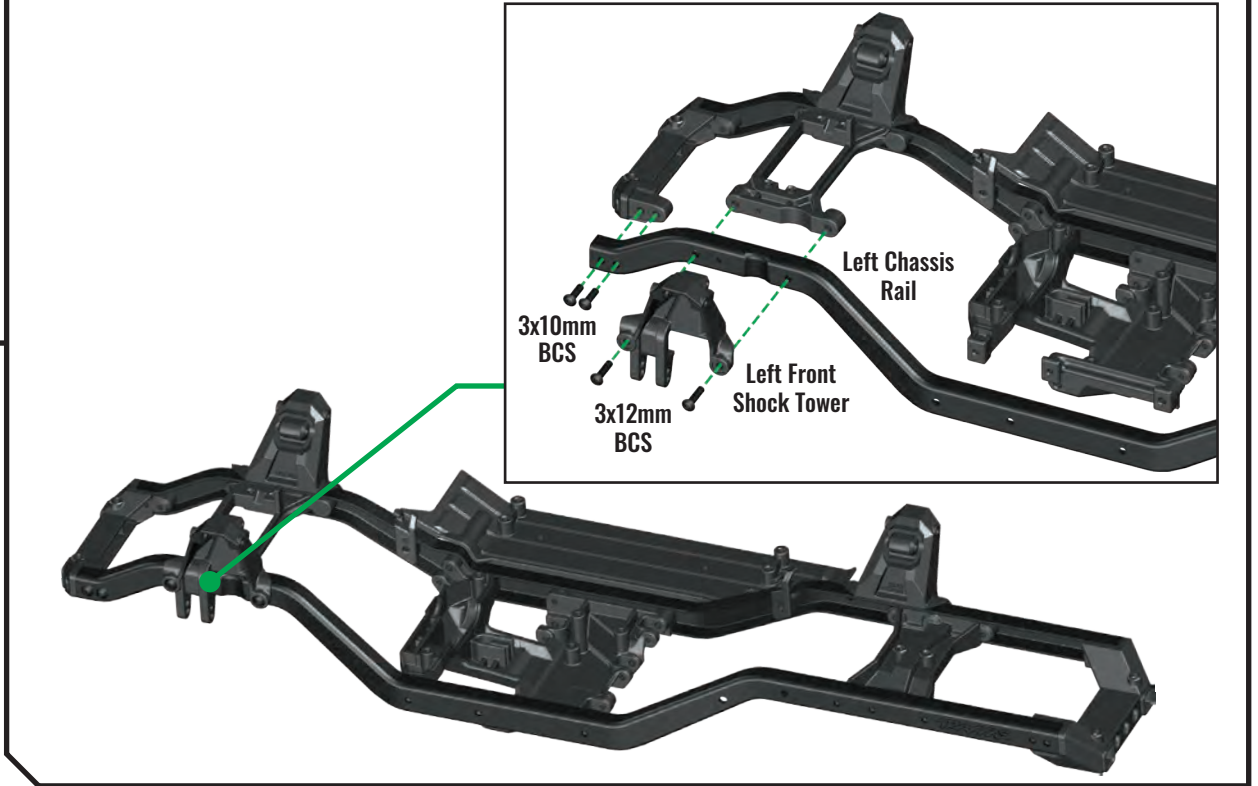
D. CHASSIS ASSEMBLY

CHASSIS PLASTICS BAG

D5. Assemble left chassis rail and left front shock tower to right chassis rail assembly

- Left Chassis Rail
- Left Front Shock Tower
- Front Battery Plate
- 3x10mm BCS (2)

- 3x12mm BCS (2)

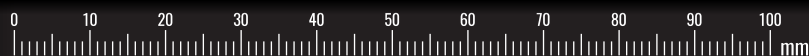
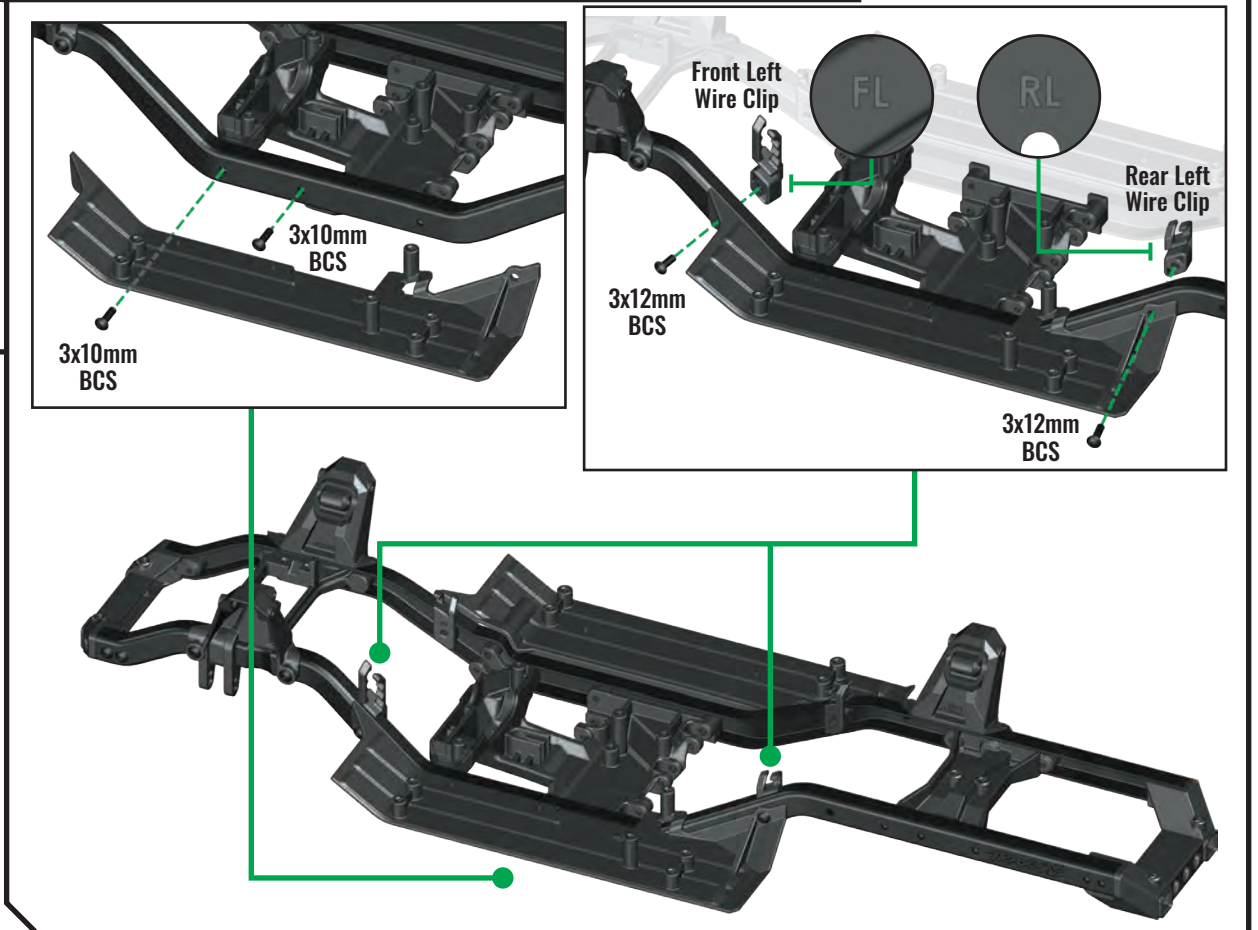



CHASSIS PLASTICS BAG

D6. Assemble left floor pan, left rear and left front wire clip to left chassis rail

- Left Chassis Floor Pan
- Rear Left Wire Clip
- Front Left Wire Clip
- 3x10mm BCS (2)

- 3x12mm BCS (2)

D. CHASSIS ASSEMBLY

CHASSIS PLASTICS BAG

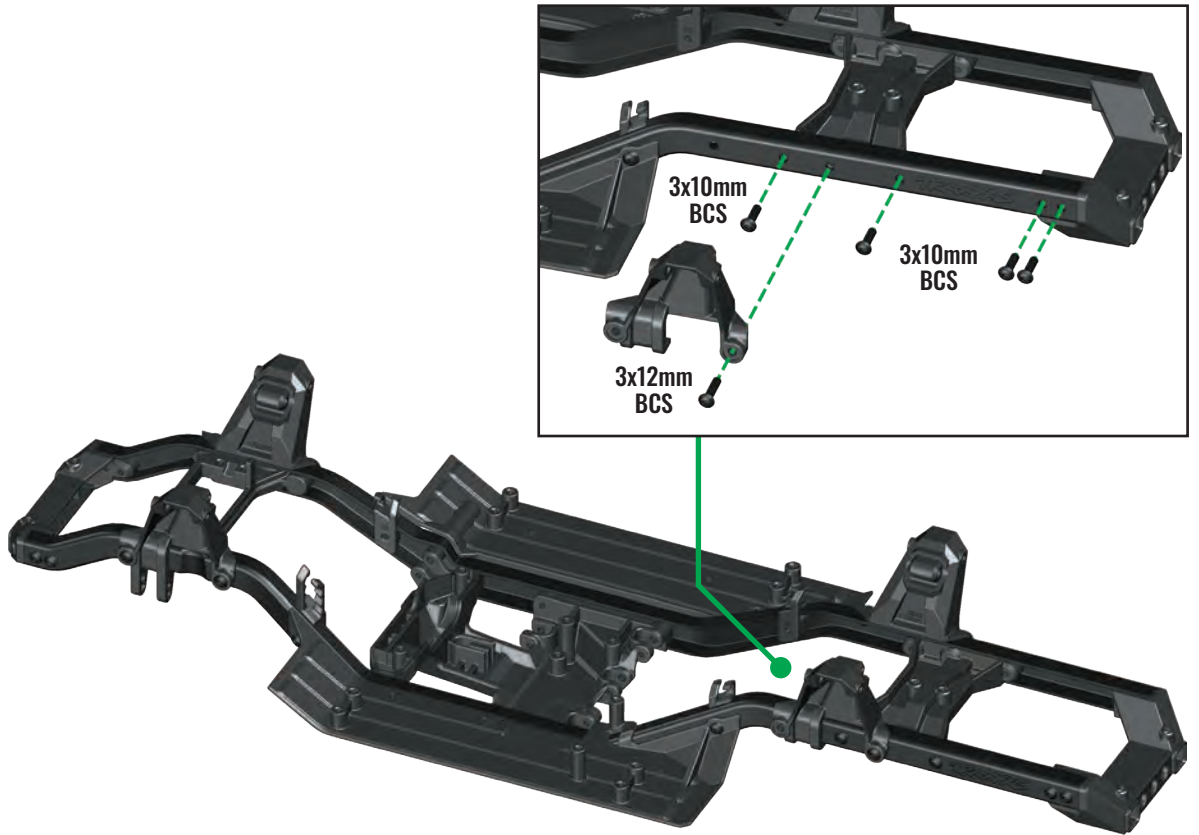
D7. Assemble left rear shock tower to right chassis rail assembly

Left Rear Shock Tower

3x10mm BCS (4)

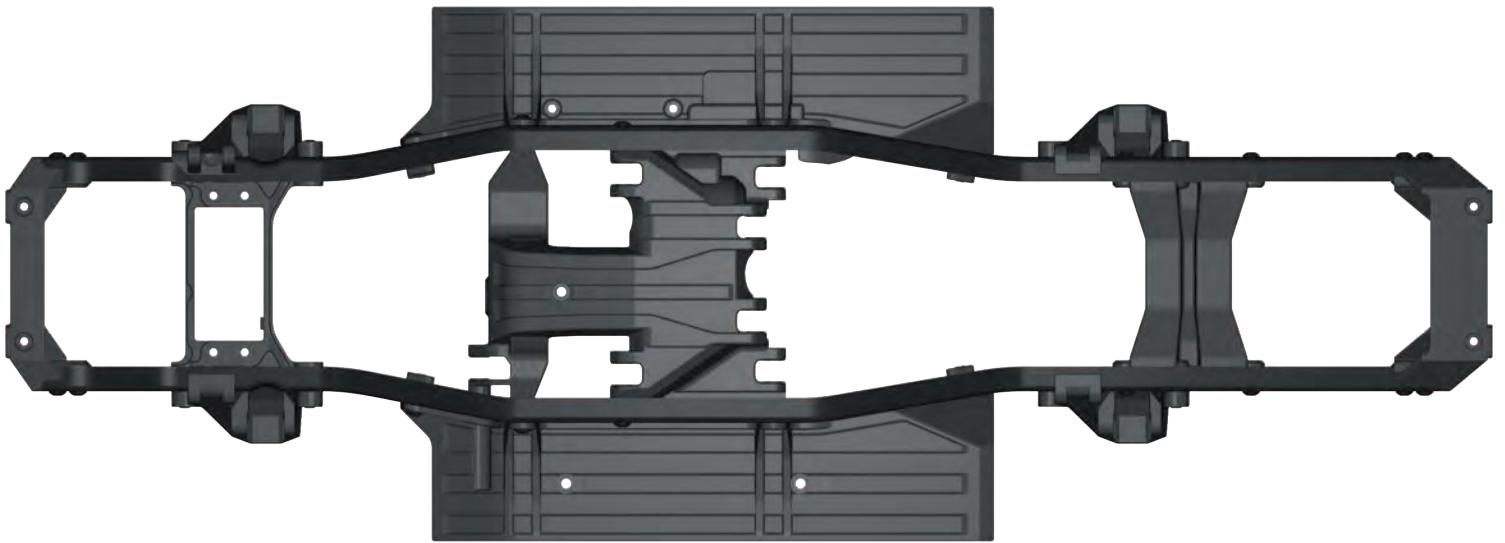


3x12mm BCS



Completed chassis assembly

Check your assembly carefully.



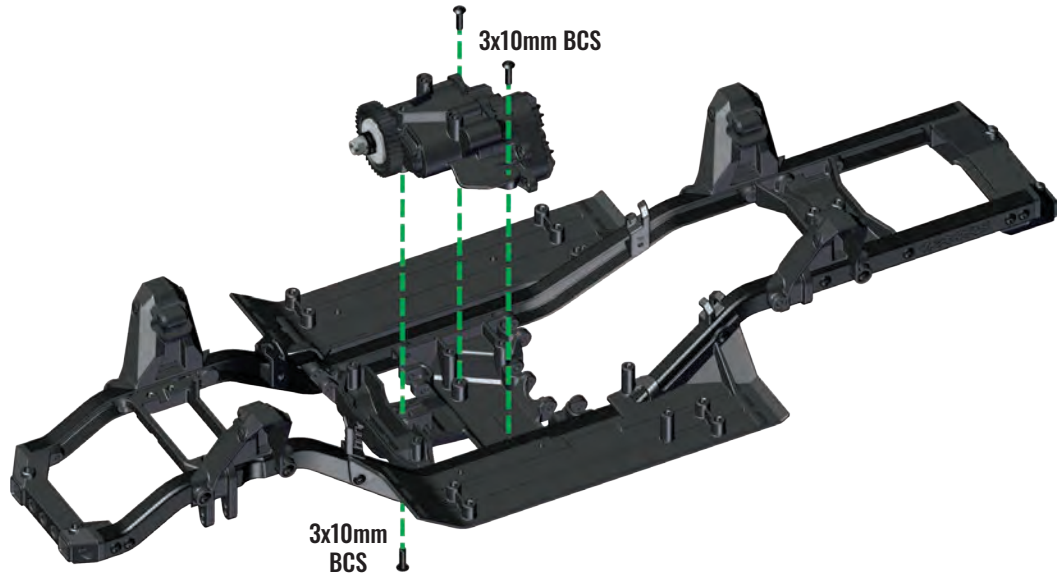
E. ELECTRONICS INSTALLATION

ELECTRONICS BAG

- Chassis Assembly
- Transmission Assembly
- 3x10mm BCS (3)



E1. Install transmission assembly into chassis assembly



ELECTRONICS BAG

- Upper Gear Cover
- Motor Mount Plate
- 17T Pinion Gear



3x8mm CS (2)



3x4 GS

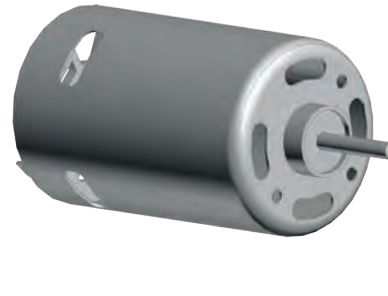


3x8mm BCS (3)



E2. Install motor into chassis assembly

1 Motor sold separately



Motor Mount Plate

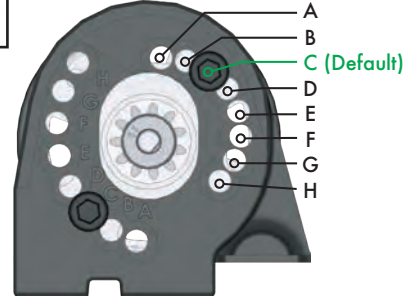
3x8mm CS



3x8mm CS

3x4 GS

Pinion gear should be 1-1.5mm from end of motor shaft



Motor (sold separately)

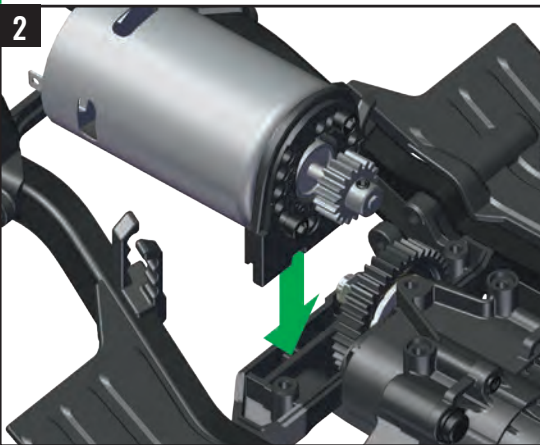
ACCESSORY



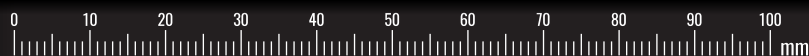
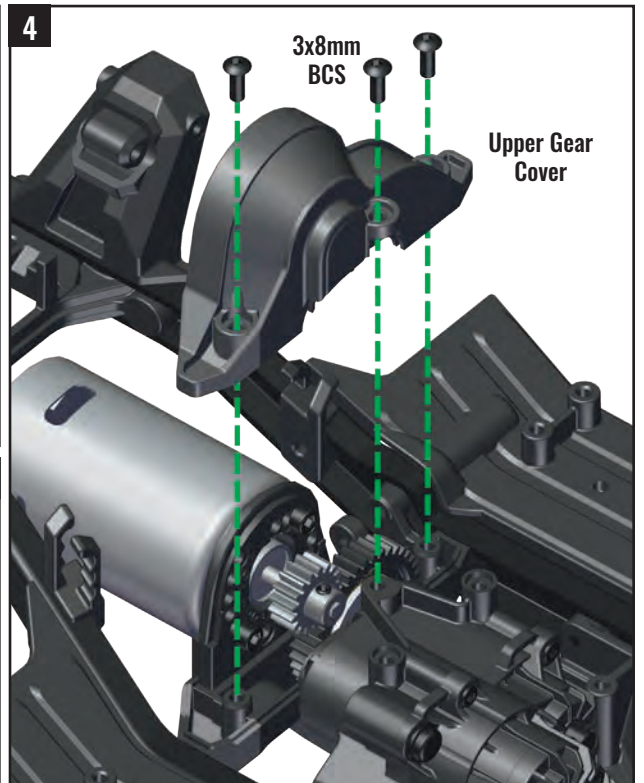
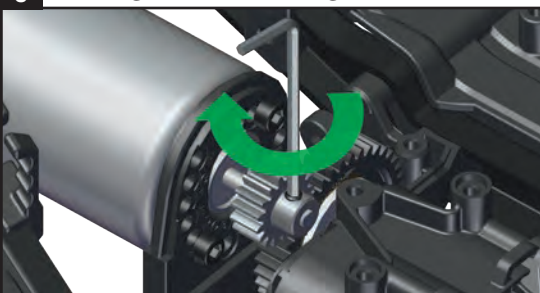
Option Part
3975R Titan 550 Motor

Screw Positions
Spur Gear

	39	45
9	x	A
10	x	B
11	x	C
12	x	D
13	x	E
14	x	F
15	A	G
16	B	H
17	C	x
18	D	x
19	E	x
20	F	x
21	G	x
22	H	x



3 Mesh gear teeth; then tighten set screw



E. ELECTRONICS INSTALLATION

ELECTRONICS BAG

Lower Receiver Box
Receiver Foam Tape
3x6mm BCS (2)



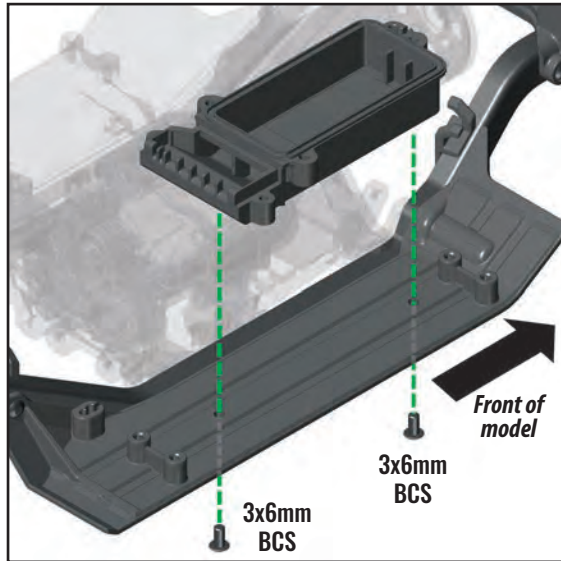
Receiver (sold separately)
Receiver box dimensions:
56mm x 26mm x 20mm

ACCESSORY

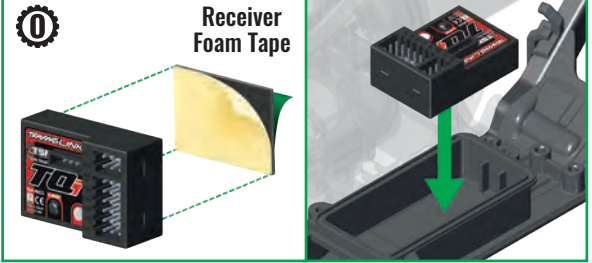
⊖ Option Part
6519 TQi 2.4GHz
3Ch Micro Receiver

⊖ Option Part
6533 TQi 2.4GHz
5Ch Micro Receiver

E3. Install lower receiver box onto chassis assembly



Receiver sold separately



Place on smooth surface portion (note orientation)



ELECTRONICS BAG

3x10mm FCS (4)

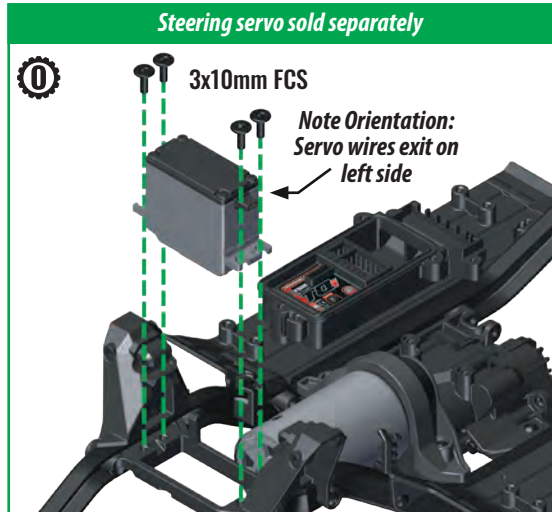


Servo (sold separately)

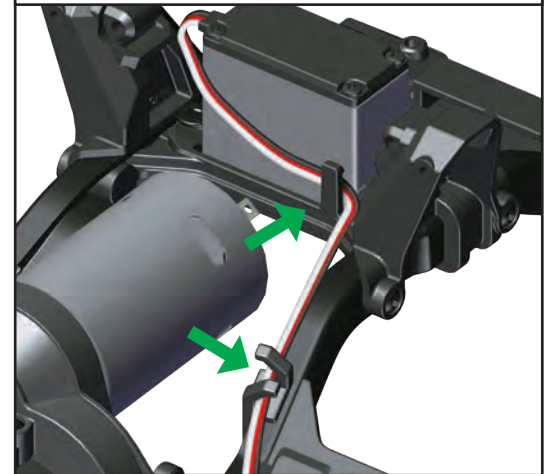
ACCESSORY

⊖ Option Part
2075X
High-Torque Servo
2075R
High-Speed Servo
2250 Coreless Servo*
2255 Brushless Servo*

E4. Install steering servo onto chassis assembly



Clip wires into retainers on servo mount and chassis rail toward receiver box



*2262 BEC kit is required for 2250 & 2255

ELECTRONICS BAG

3x12mm BCS (2)

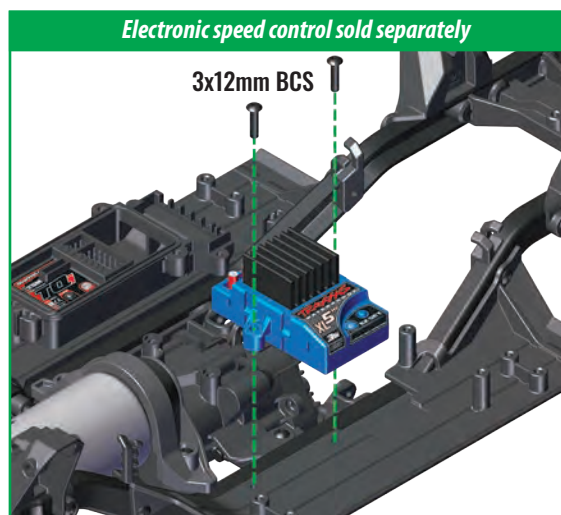


Electronic Speed Control
(sold separately)

ACCESSORY

⊖ Option Part
3025 XL-5HV
Electronic Speed Control

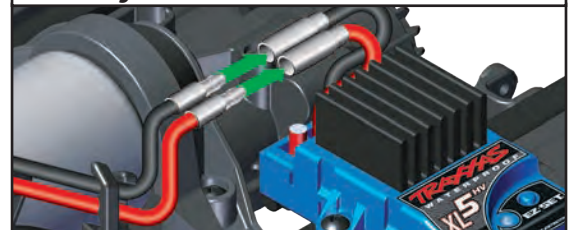
E5. Install ESC onto chassis assembly



⚠ Note: If using a Traxxas ESC, place ESC wire under screw boss before installing screws.



Plug bullet connectors from motor into ESC



E. ELECTRONICS INSTALLATION

ELECTRONICS BAG

Receiver Box Foam Seal

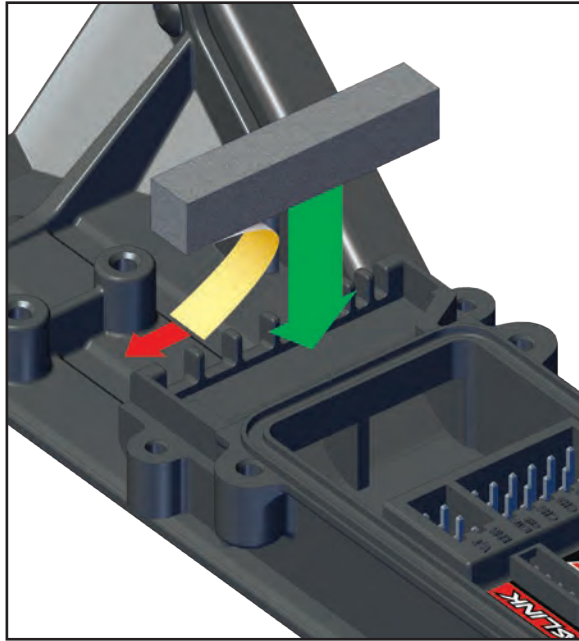
Antenna Tube

Antenna Cap

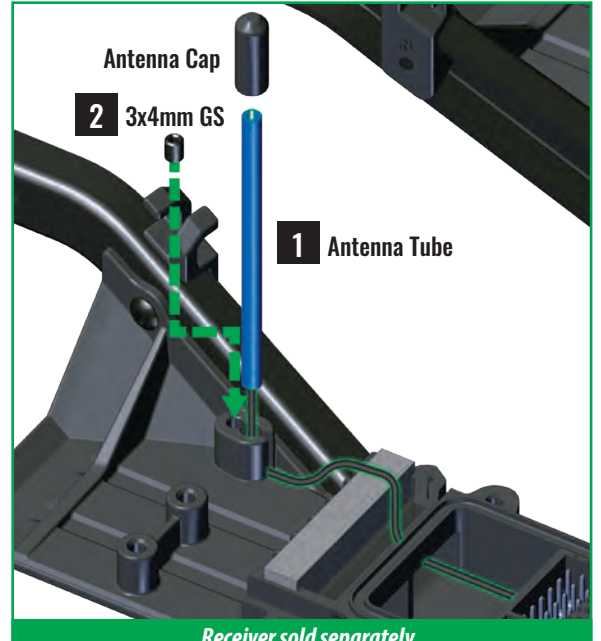
3x4mm GS



E6. Install receiver bottom foam



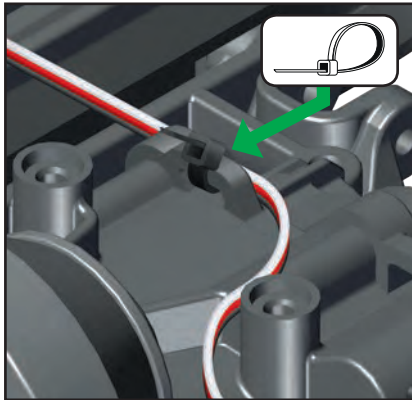
E7. Install antenna from receiver on right floor pan



ELECTRONICS BAG

Zip Tie (2)

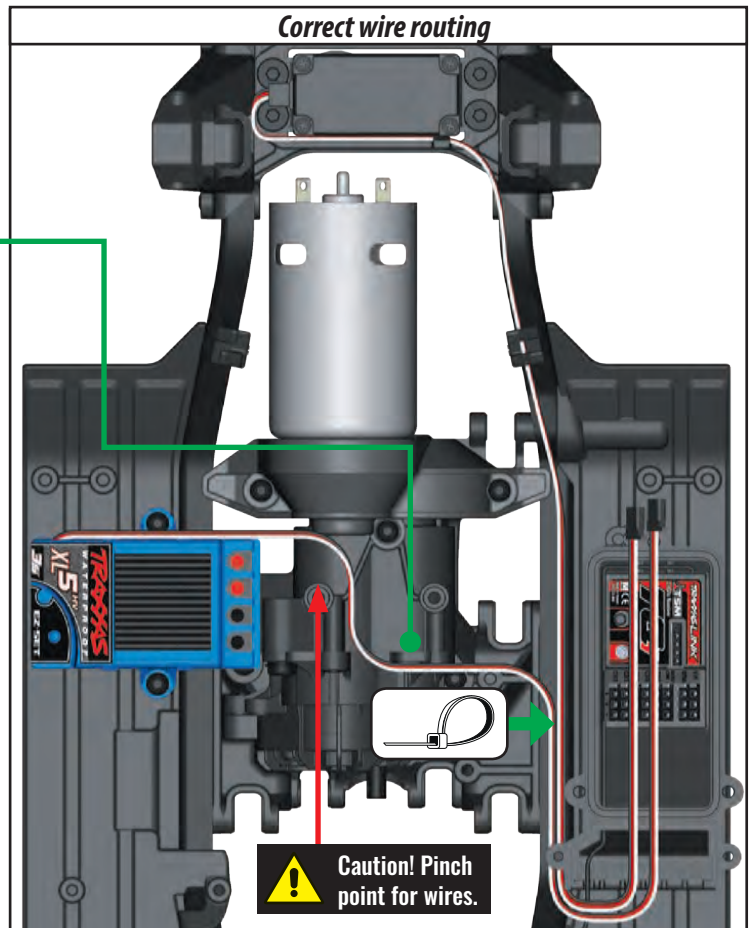
E8. Install wires into receiver box



Bundle excess wires in receiver box



Traxxas Radio Systems:
CH1 - Steering Servo
CH2 - Electronic Speed Control



E. ELECTRONICS INSTALLATION

ELECTRONICS BAG

2.5x8mm CS (2)



3x8mm BCS (3)



Receiver Box Cover

Receiver Box Plug

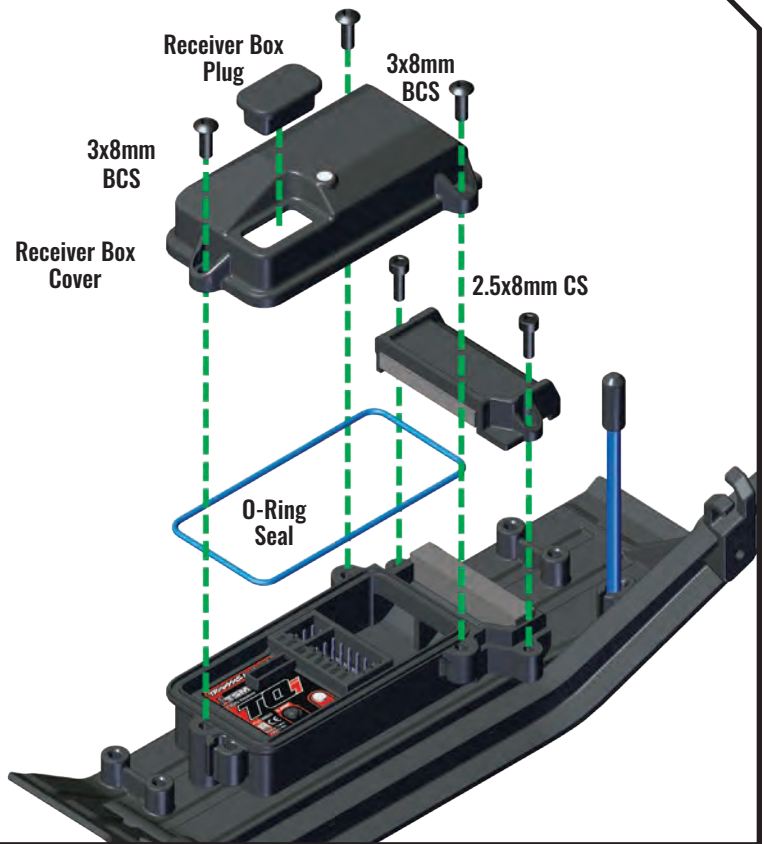
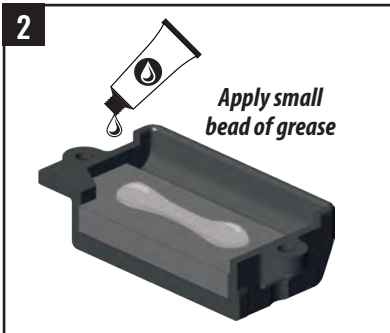
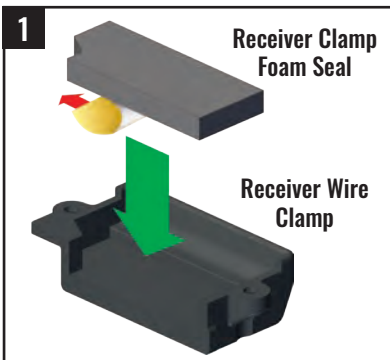
O-Ring Seal

Receiver Wire Clamp

Receiver Clamp Foam Seal

Silicone Grease

E9. Waterproof and seal the receiver box



ELECTRONICS BAG

Battery Tray

Battery Hold-down

Pivot Post

Battery Clip

3x10mm BCS (2)



3x12mm BCS (2)



Pivot Post Screw



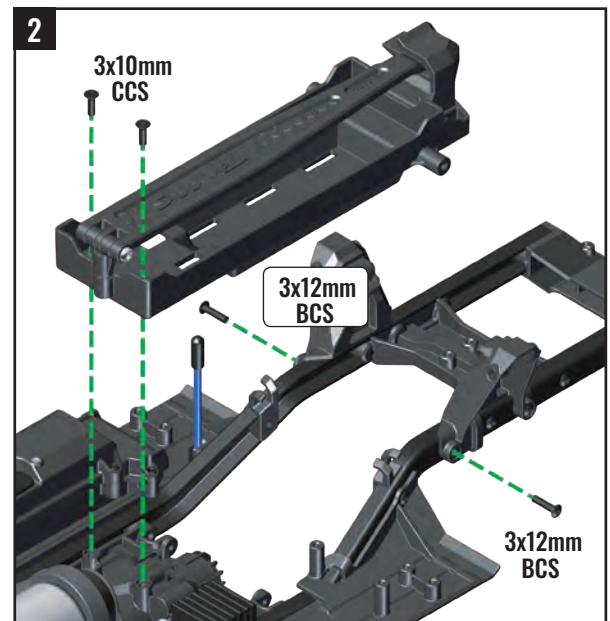
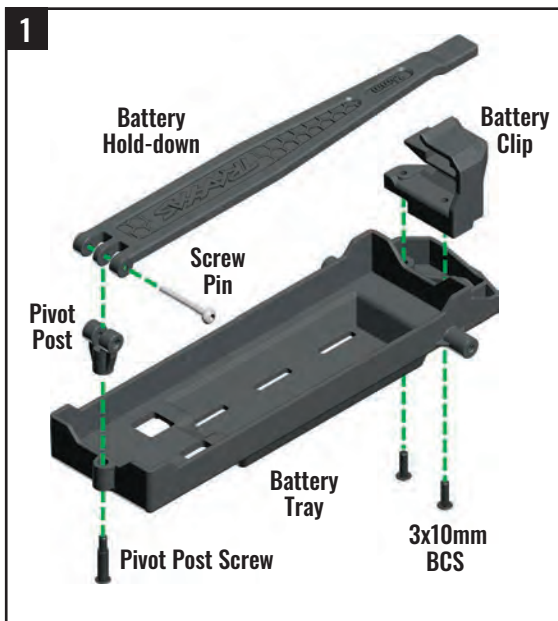
Battery Hold-down Screw Pin



3x10mm CCS (2)



E10. Assemble and install battery tray



ELECTRONICS BAG

Steering Servo Horn

3x6mm BCS



E11. Center the steering servo

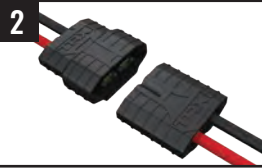
Transmitter, ESC, and Battery sold separately

1



Turn transmitter on
(see transmitter instructions)

2



Plug battery into ESC
(see ESC instructions)

3



Turn on the model
(see ESC instructions)

4



Set Steering Trim to Zero
(see transmitter instructions)

5

Unplug battery and turn transmitter off

E12. Install servo horn on steering servo

Servo sold separately

Steering Servo Horn

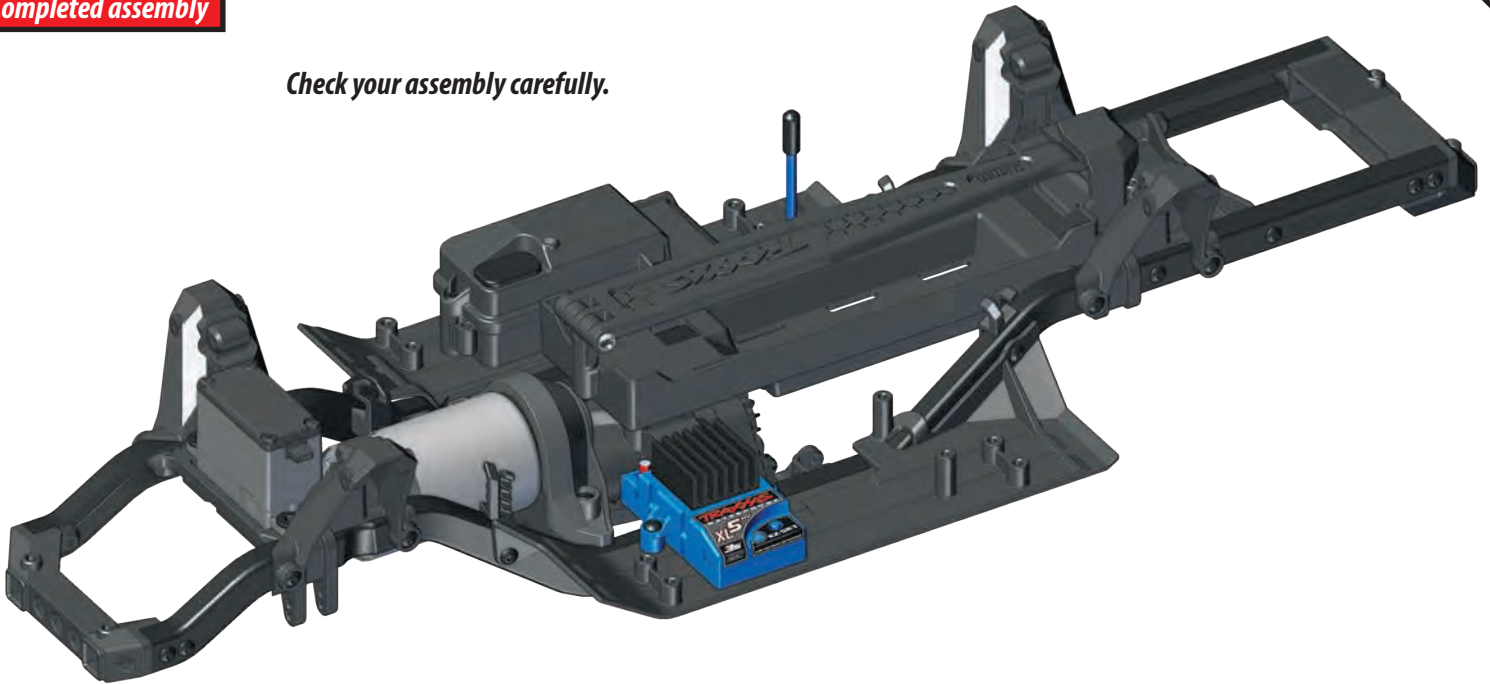
3x6mm
BCS



Note orientation - Servo horn will face straight ahead

Completed assembly

Check your assembly carefully.



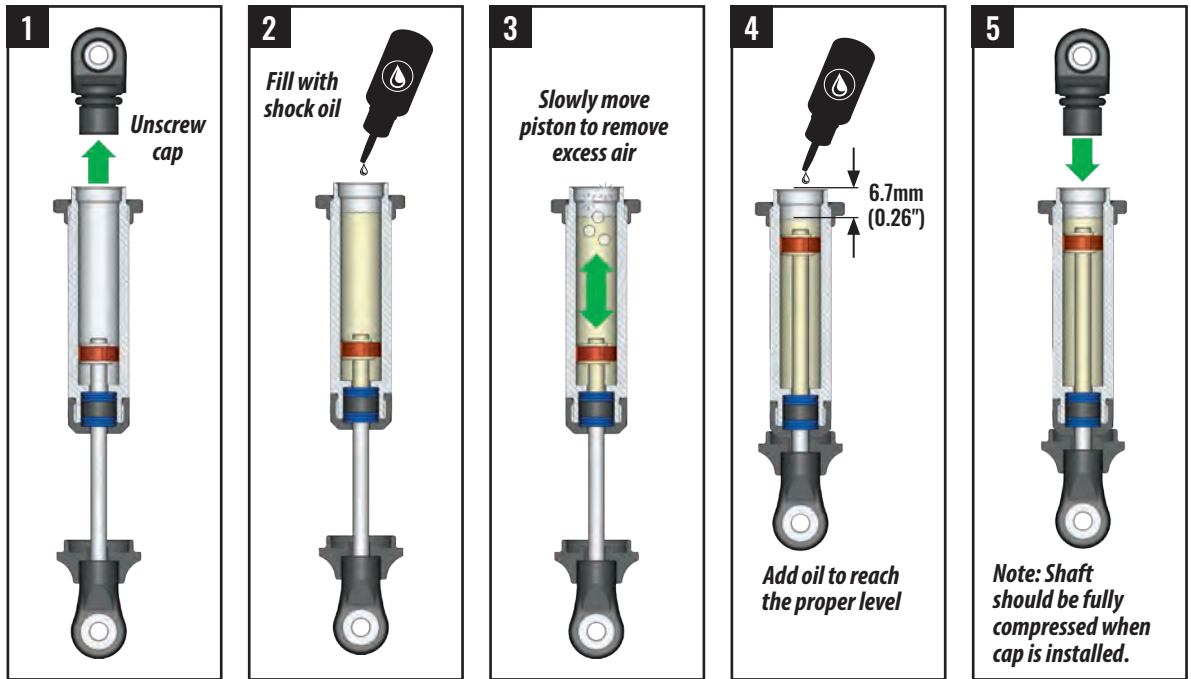
F. SUSPENSION & DRIVELINE INSTALLATION

DAMPER BAG

- Shock Assemblies
- Silicone Shock Oil
- Front Shock Springs (white stripe)
- Rear Shock Springs (orange stripe)
- Upper Spring Retainers
- Lower Spring Retainers

F1. Assemble GTS shocks

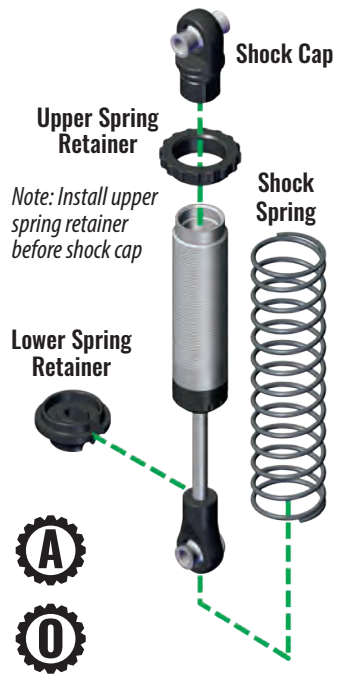
x4



ACCESSORY

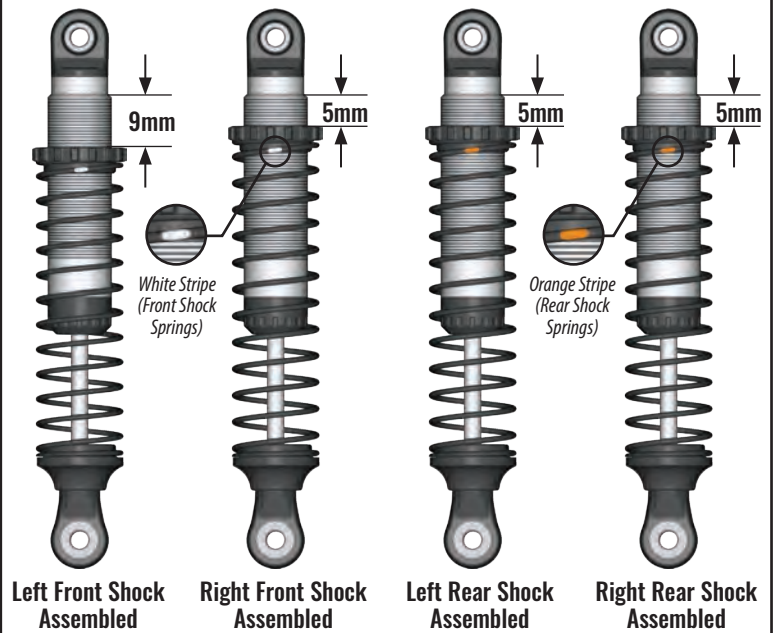
- O** Option Part
 - 8140 Long Arm Lift Kit
 - 8140R Long Arm Lift Kit
 - 8140X Long Arm Lift Kit
- O** Option Part
 - 8042 Springs (0.22)
 - 8043 Springs (0.30)
 - 8044 Springs (0.39)
 - 8045 Springs (0.61)
- A** Aluminum Accessory
 - 8260A Shocks (blue-anodized)
 - 8260G Shocks (green-anodized)
 - 8260R Shocks (red-anodized)
 - 8260X Shocks (hard-anodized)

GTS Shock Exploded View



Exercise shock to make sure it compresses fully. If it does not, it is overfilled.

Suggested Spring Preload Settings (May require fine tuning when body installed)



F. SUSPENSION & DRIVELINE INSTALLATION

FRONT AXLE BAG

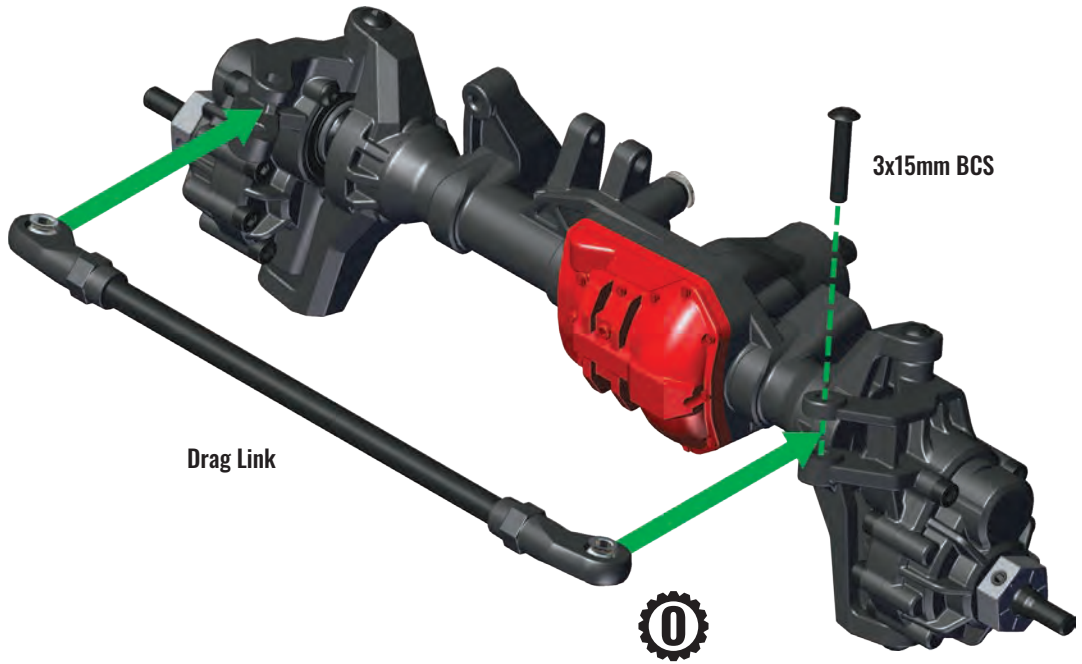
3x15mm BCS



SUSPENSION LINK BAG

Drag Link

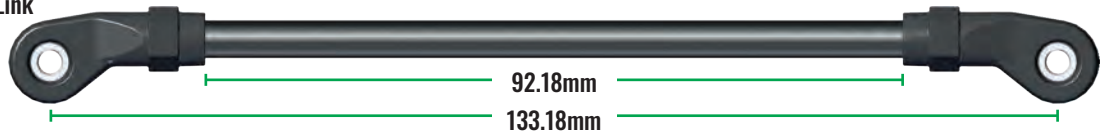
F2. Install steering link to portal housings



ACCESSORY

0 Option Part
8274 Hollow Ball Set

Drag Link



SUSPENSION LINK BAG

3x27mm BCS (2)



Front Lower
Suspension Links

F3. Attach front shocks and front lower suspension links to front axle assembly



ACCESSORY

0 Option Part
8140 Long Arm Lift Kit
8140R Long Arm Lift Kit
8140X Long Arm Lift Kit

0 Option Part
8274 Hollow Ball Set

Front Lower
Suspension Link



F. SUSPENSION & DRIVELINE INSTALLATION

SUSPENSION LINK BAG

F4. Attach steering link, front panhard bar and front upper suspension link to front axle assembly

3x15mm BCS (2)



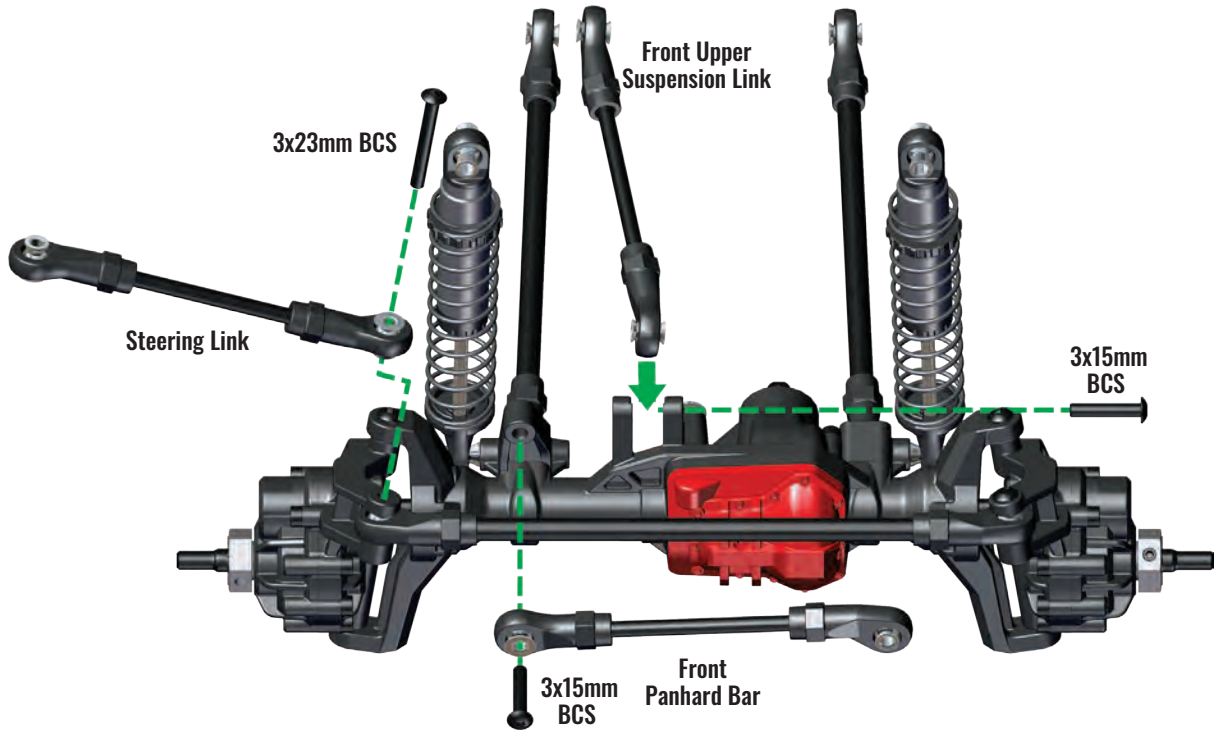
3x23mm BCS



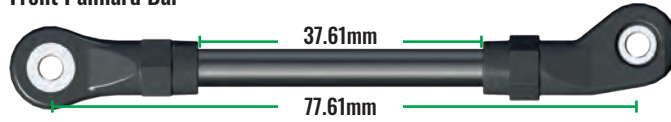
Steering Link

Front Panhard Bar

Front Upper
Suspension Link



Front Panhard Bar



Front Upper Link



Steering Link



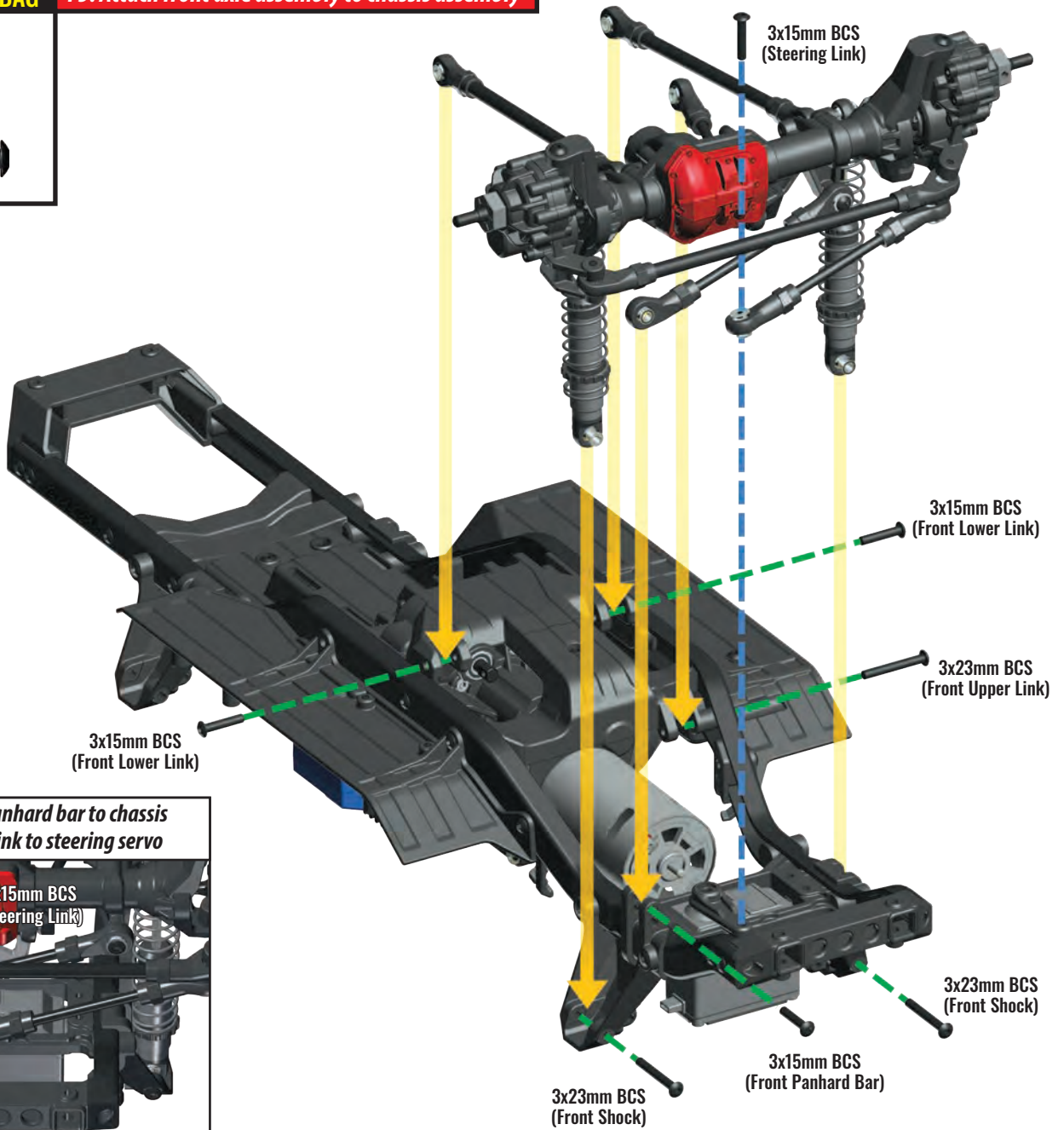
F. SUSPENSION & DRIVELINE INSTALLATION

SUSPENSION LINK BAG *F5. Attach front axle assembly to chassis assembly*

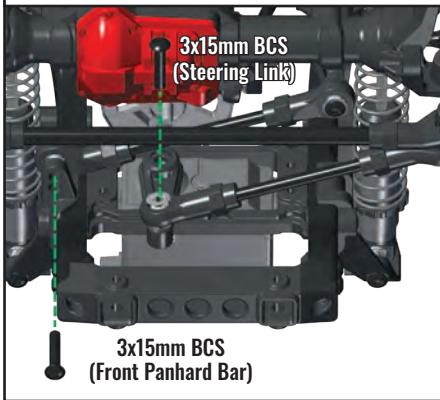
3x15mm BCS (4)



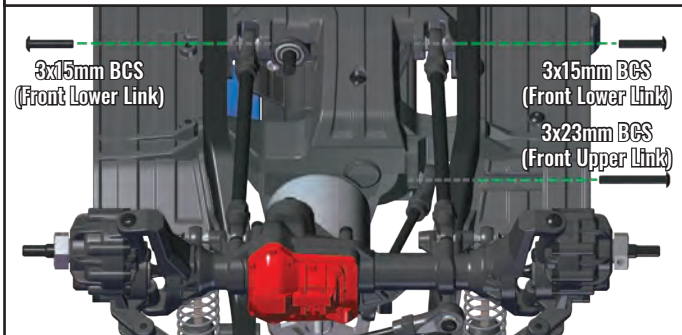
3x23mm BCS (3)



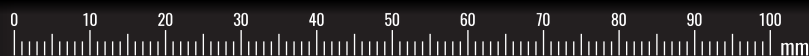
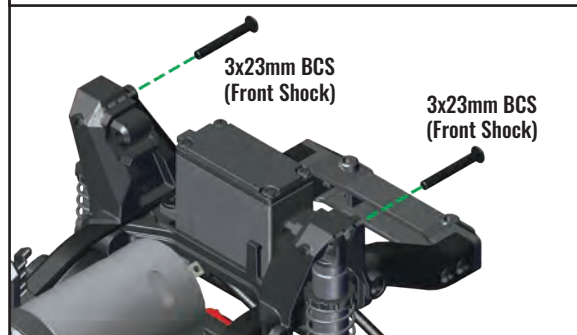
Install front panhard bar to chassis and steering link to steering servo



Install upper and lower suspension links to chassis



Install front shocks to shock towers from top of chassis



F. SUSPENSION & DRIVELINE INSTALLATION

SUSPENSION LINK BAG

3x27mm BCS (2)



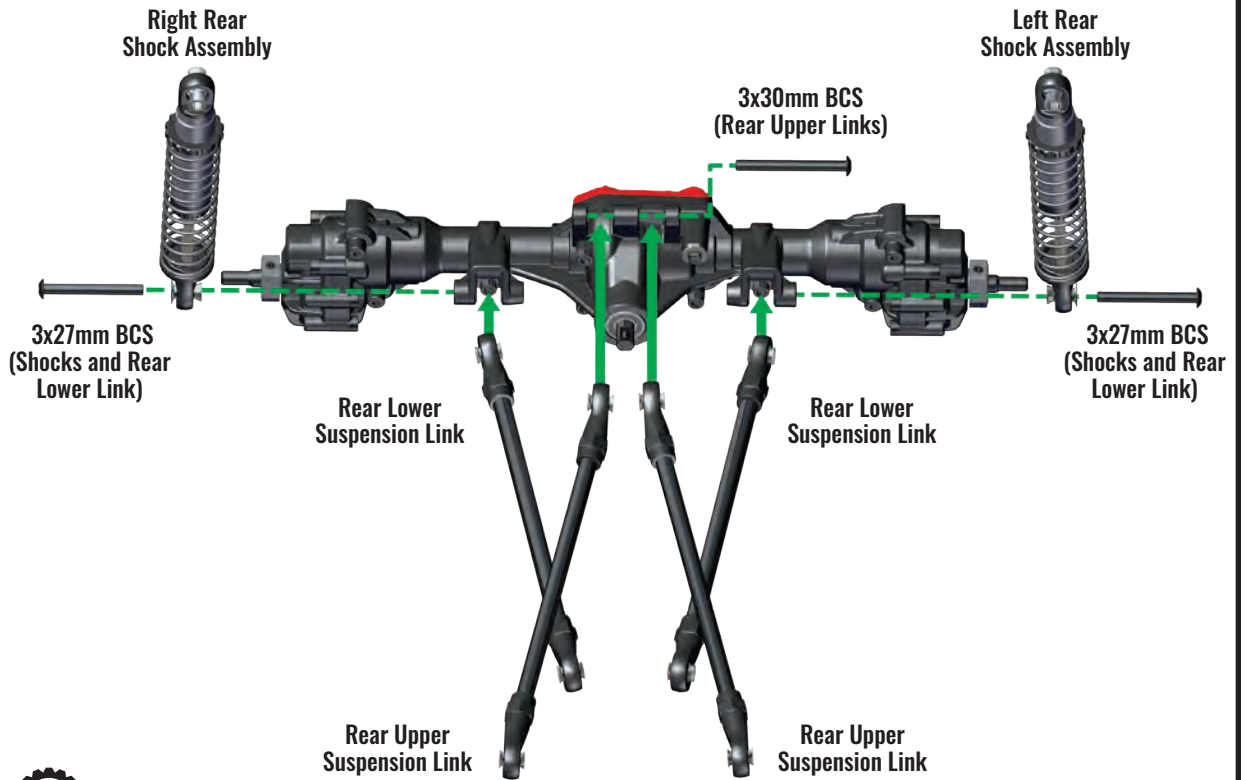
3x30mm BCS



Rear Upper Suspension Links

Rear Lower Suspension Links

F6. Attach rear shocks and rear suspension links to rear axle assembly



ACCESSORY

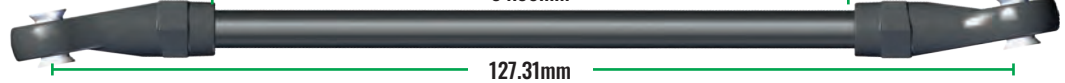
- Option Part**
8140 Long Arm Lift Kit
8140R Long Arm Lift Kit
8140X Long Arm Lift Kit

- Option Part**
8274 Hollow Ball Set

Rear Lower Link



Rear Upper Link



F. SUSPENSION & DRIVELINE INSTALLATION

SUSPENSION LINK BAG

F7. Attach rear axle assembly to chassis assembly

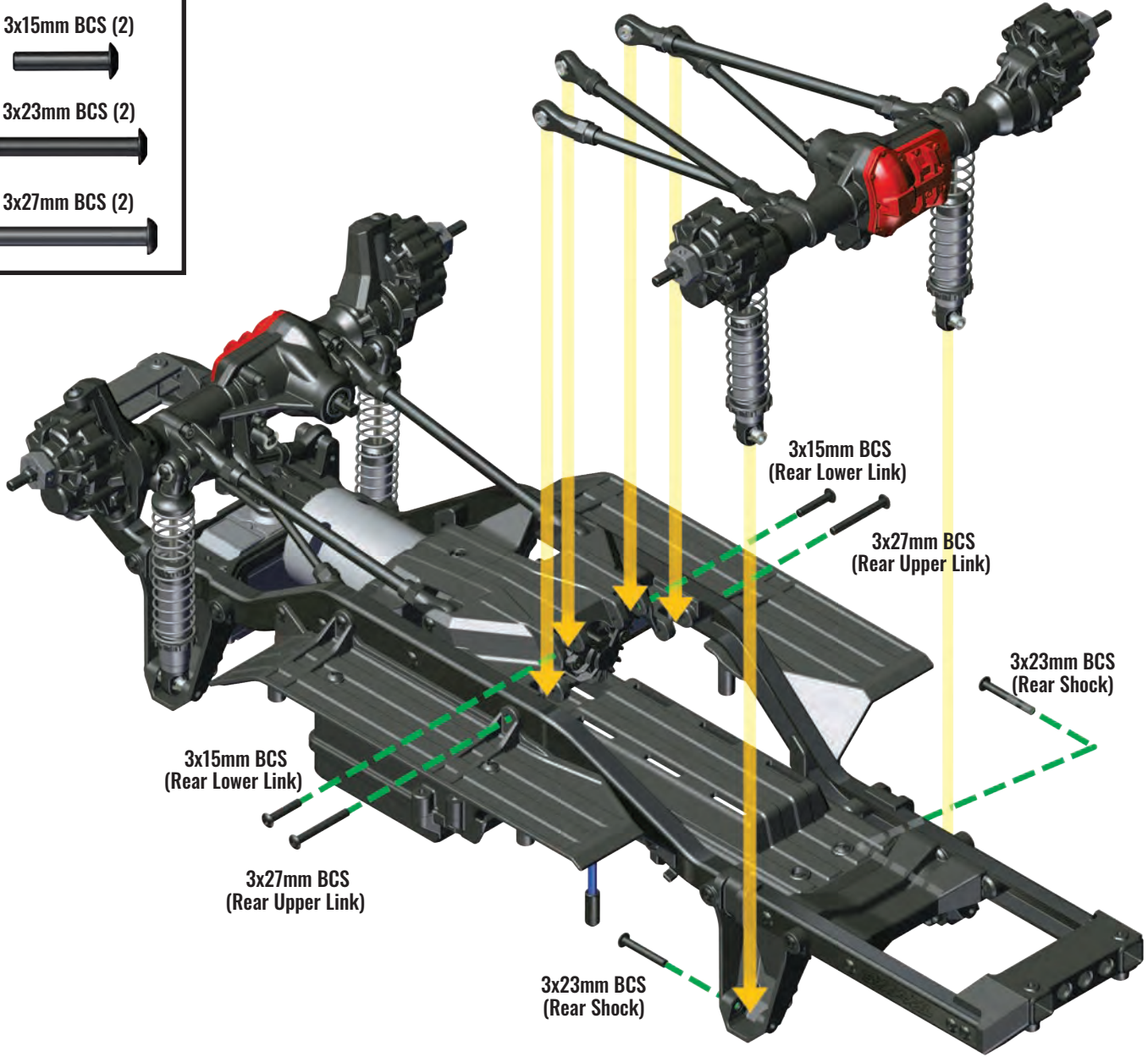
3x15mm BCS (2)



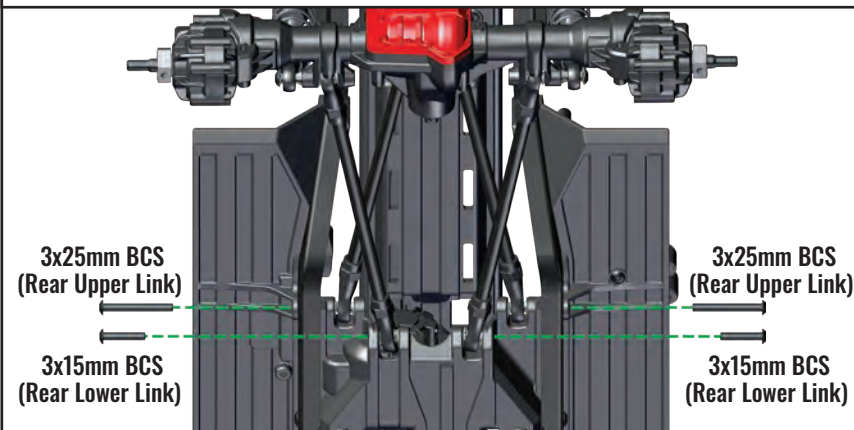
3x23mm BCS (2)



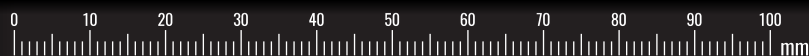
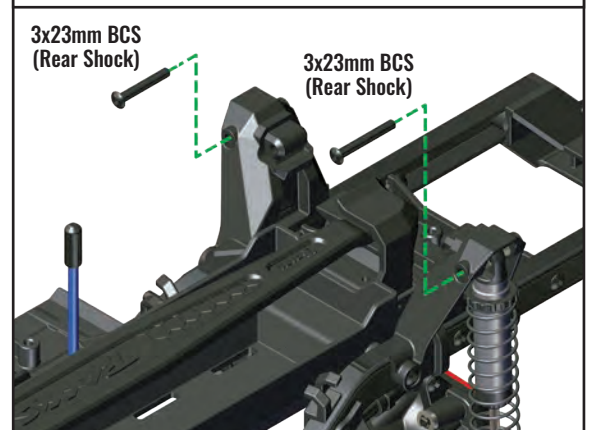
3x27mm BCS (2)



Install upper and lower suspension links to chassis



Install rear shocks to shock towers from top of chassis



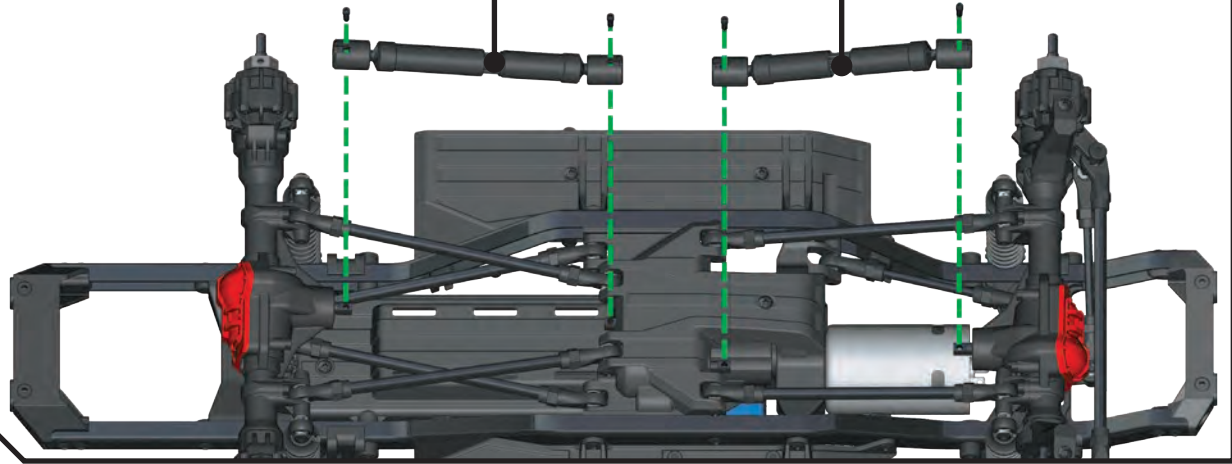
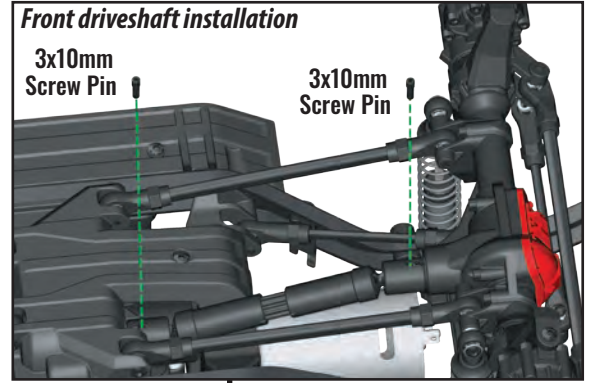
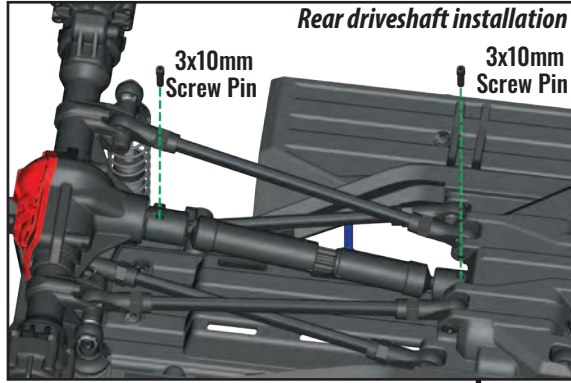
F. SUSPENSION & DRIVELINE INSTALLATION

DRIVELINE BAG

3x10mm Screw Pin (4)

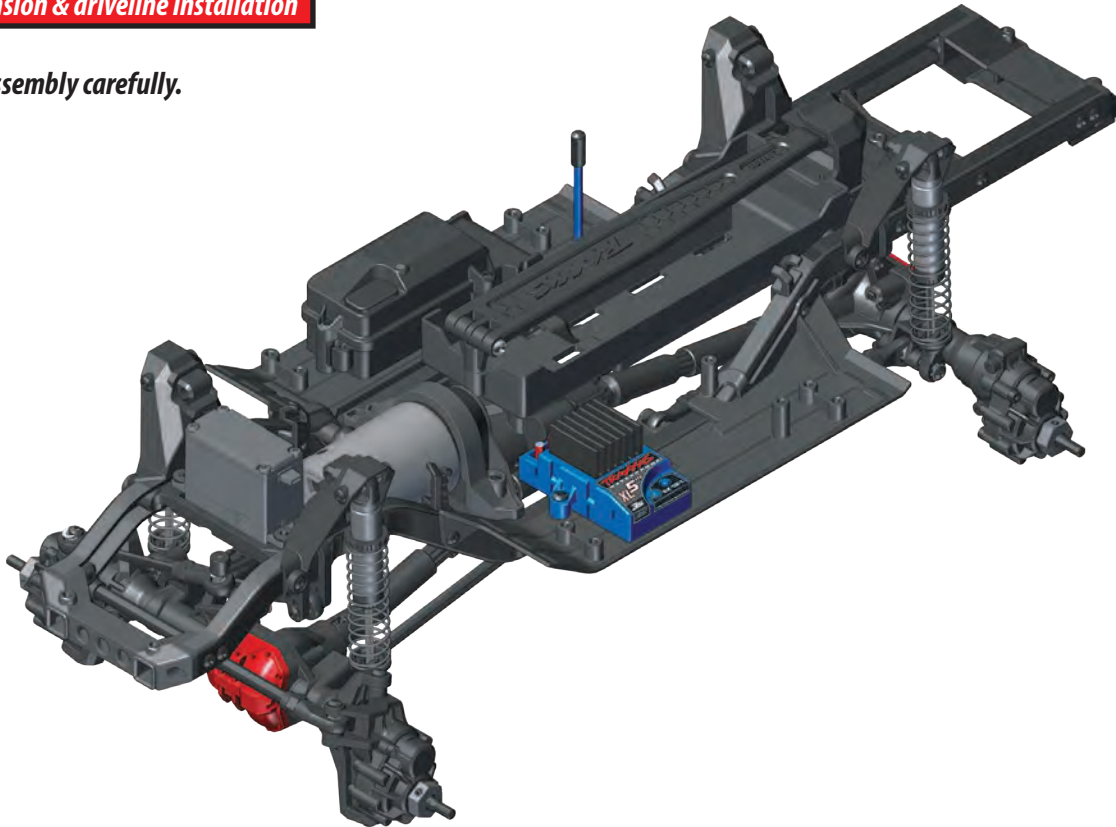


F9. Install front and rear driveshafts



Completed suspension & driveline installation

Check your assembly carefully.



G. FINAL CHASSIS ASSEMBLY

SUSPENSION LINK BAG

M4x0.7 NL (4)



Wheels (4)

Tires with Foam Inserts (4)

Traxxas Ultra
Premium Tire Glue
(part #6468, sold separately)

G1. Assemble wheels and tires; install on front and rear axles

x2



x2



x4



Glue the tires to the wheels. Use your thumb to push the side of the tire away from the wheel. Repeat at four points around the wheel. Turn the wheel over and repeat on the inside of the wheel.



Note rotation direction arrow when installing.

M4x0.7 NL

ACCESSORY



Option Part
Wheel and tire options available. See parts list.

BODY ACCESSORIES BAG

G2. Install body post crossmembers on chassis

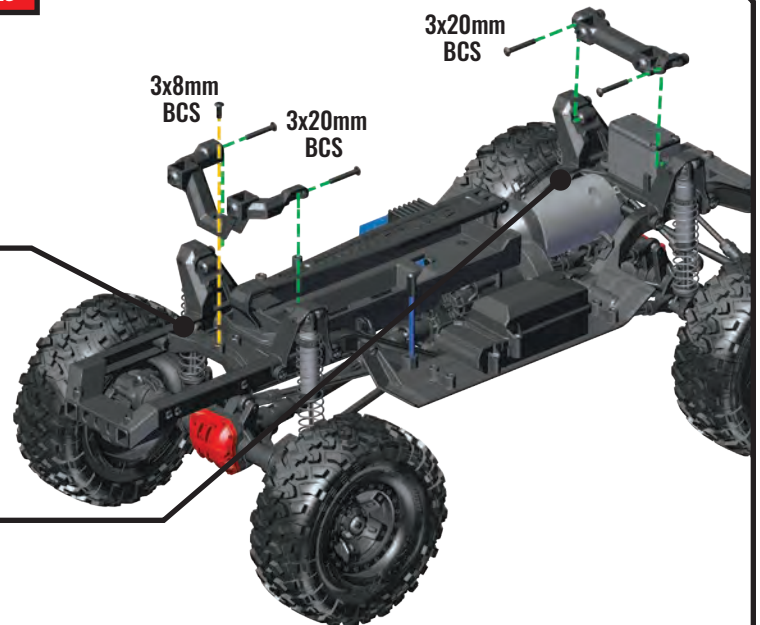
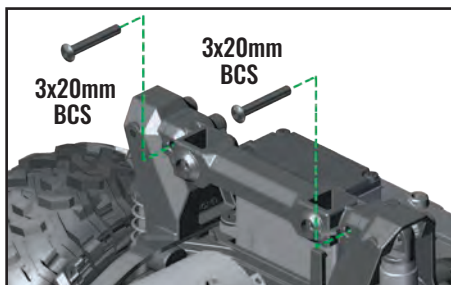
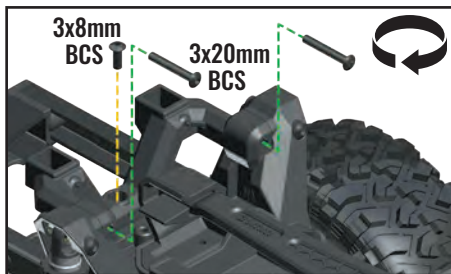
3x20mm BCS (4)



3x8mm BCS



Body Post Crossmember (2)



G. FINAL CHASSIS ASSEMBLY

BODY ACCESSORIES BAG

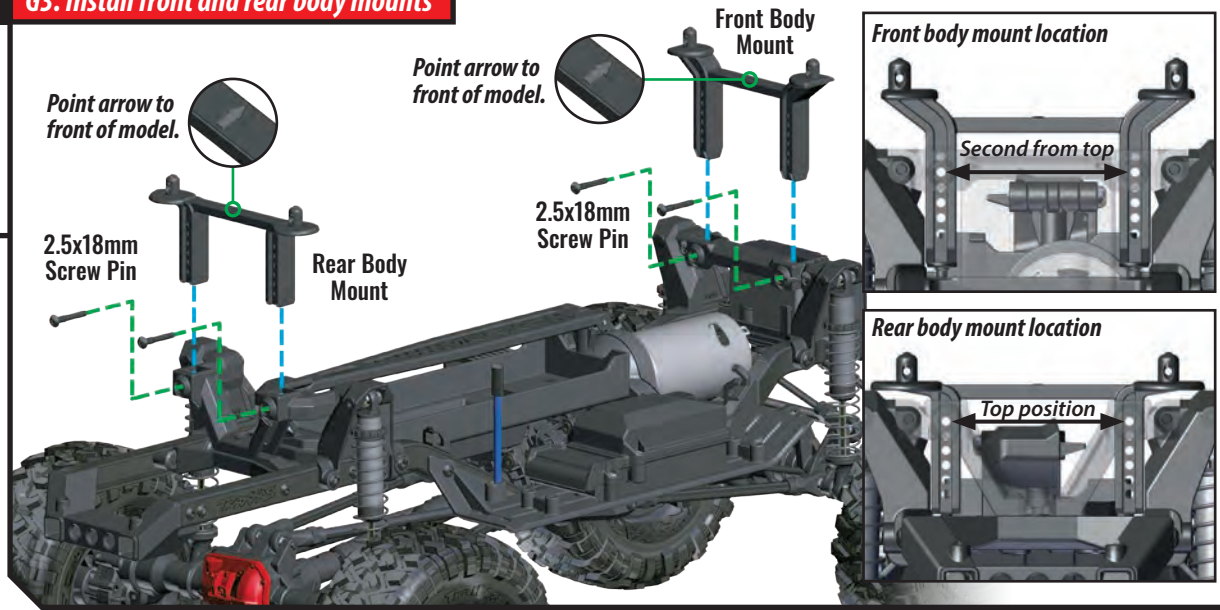
G3. Install front and rear body mounts

2.5x18mm Screw Pin (4)



Front Body Mount

Rear Body Mount



BODY ACCESSORIES BAG

G4. Assemble and install front and rear bumpers

Front Bumper

Rear Bumper

Winch

Bumper D-ring (4)

2x12mm CS (4)



2.6x8mm BCS



4x5mm Yoke Pin (4)



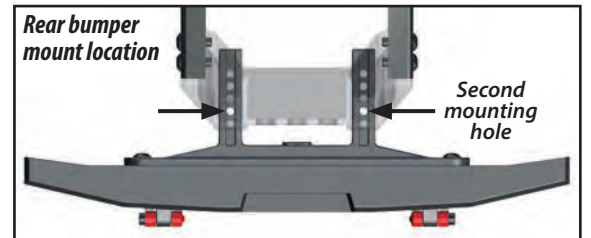
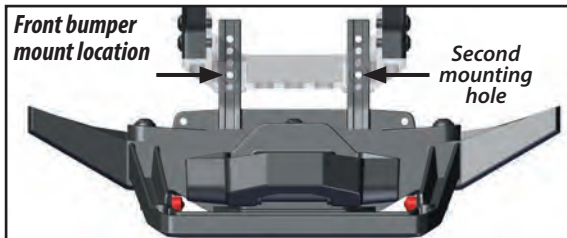
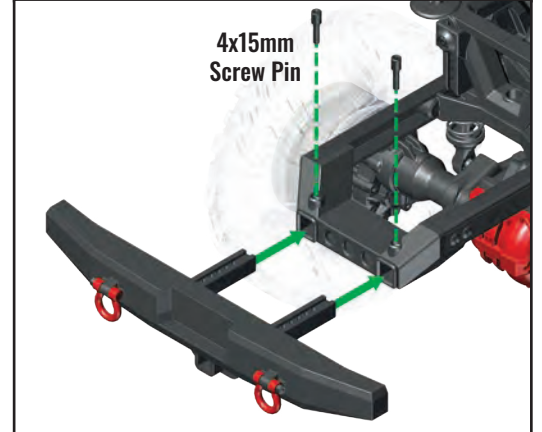
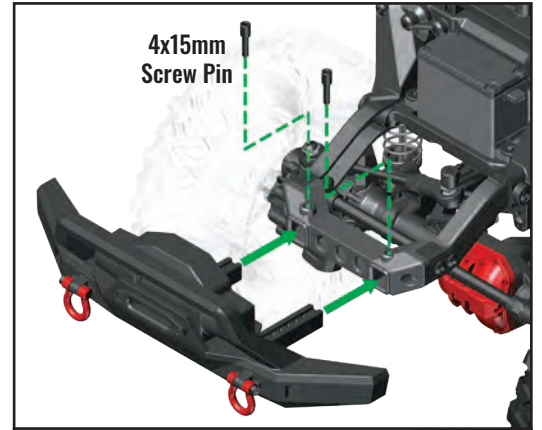
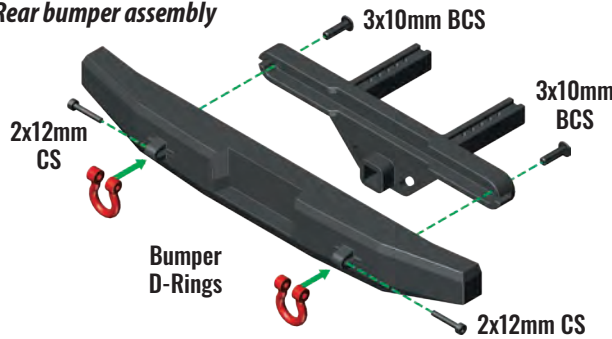
3x10mm BCS (4)



Front bumper assembly



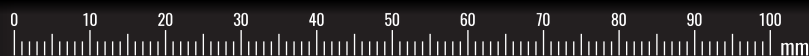
Rear bumper assembly



ACCESSORY

Option Part
Bumper options available. See parts list.

Option Part
8021 Spare Tire Mount



G. FINAL CHASSIS ASSEMBLY

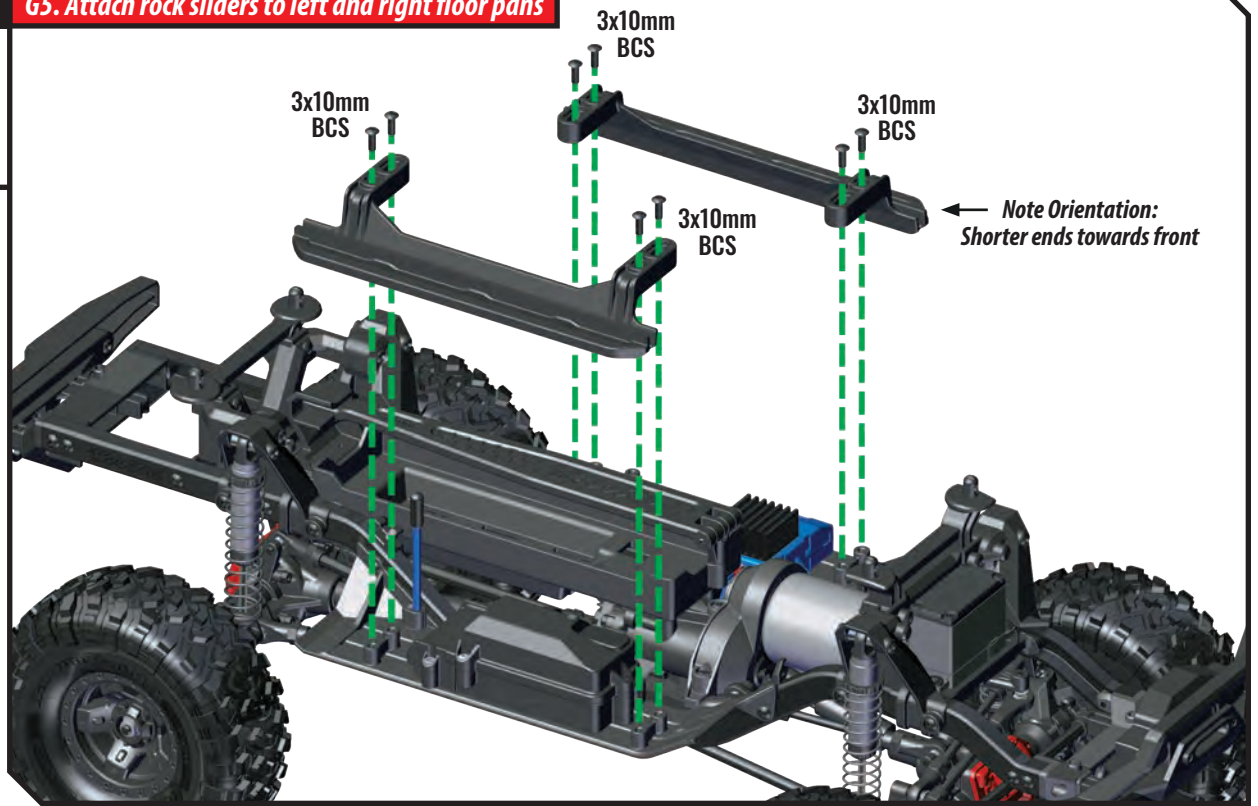
BODY ACCESSORIES BAG

3x10mm BCS (8)

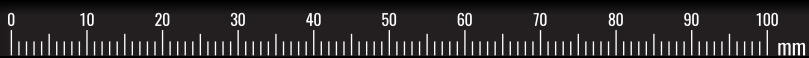


Rock Sliders (2)

G5. Attach rock sliders to left and right floor pans



Chassis assembly complete



H. BODY ASSEMBLY

Painting the Body

Note: Please read this entire section and plan your paint job before beginning.

BUYING PAINT

The body supplied with your model is molded from lightweight and durable clear polycarbonate. It should be painted on the underside so that the color will not be scratched off while running. The best way to paint the body is by using thinned paints sprayed through an airbrush or spray gun. If you do not have these tools, the next best way is using spray can paints. Whatever paint you use, be sure that it is made for painting Lexan® or polycarbonate. Other types of paints and solvents can attack the body material and cause it to appear foggy.

PREPARING THE BODY

The body must be washed thoroughly with dish soap and water to remove any grease or oil (i.e., fingerprints), which may keep the paint from adhering to it. Dry the body completely with a soft, lint-free cloth. Use the supplied masks to mask the windows. Mask off any stripes or custom effects with either masking tape or special tape made for striping. This special tape is available from automotive paint supply stores and will provide sharper edges than masking tape. For easy, custom-colored striping, automotive pin-striping tape can be applied to the inside of the body and painted over. Be sure that all of your tape and masks are fully pressed down (burnished) so that the paint will not run or bleed underneath. Usually, the darker colors are painted first, followed by the lighter colors. If your paint scheme would be easier to mask by covering the dark areas and spraying them last, be sure the lighter colors are opaque enough to prevent the darker color from showing through. Lighter colors can be backed with silver to help make them opaque.

SPRAYING THE BODY

Read the directions on your bottle or can of paint and shake, mix, or thin the paint, as required. It is very important to avoid breathing the paint vapors, as they are extremely harmful. Spray the paint outdoors in well-ventilated areas only. Apply the paint to the body sparingly and in light coats. Be patient! Let the paint dry fully in between coats. This will prevent accidentally smearing wet paint. Take extra care when masks are being removed. After the body is completely painted, remove the peel coat from the outside of the body.

DECALS

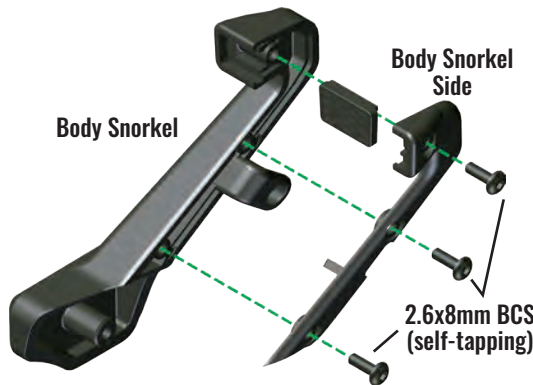
You are now ready to apply the decals. The decals have been die-cut for your convenience. Test the position of the decals before applying them to the body. Once the decals have been applied, they cannot be removed without damaging them. You can spray the body with window cleaner before applying the decals. This will allow you to re-position them. Once positioned, squeegee the cleaner from under the decal. The decal will adhere when it dries. If you have air bubbles in the decals, puncture the center of each bubble with a sharp pin and push the air out. If you have creases along the outer edges of a decal (especially when applied to curved surfaces), use a hobby knife to cut along the top of the crease and overlap the edges.

BODY ACCESSORIES BAG

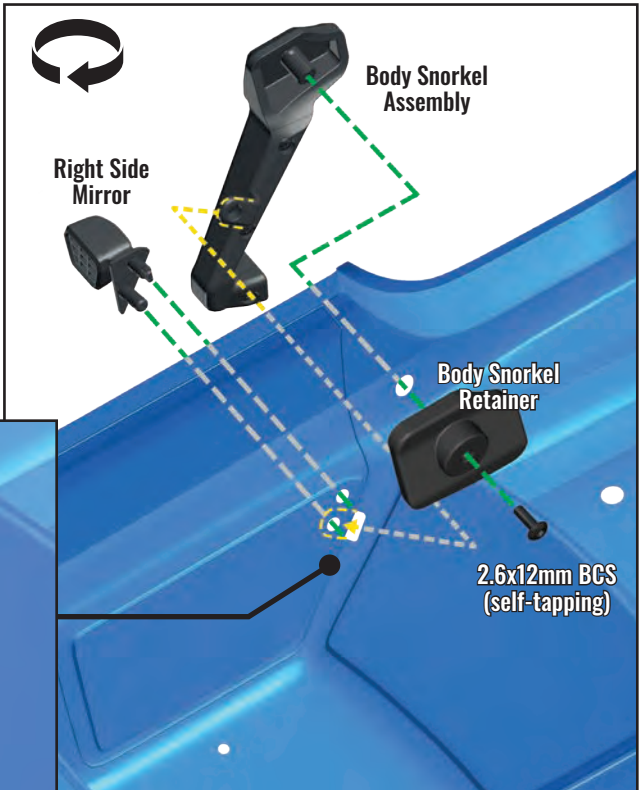
H1. Assemble and install snorkel and right mirror

- Body Snorkel
- Body Snorkel Side
- Body Snorkel Retainer
- Right Side Mirror
- 2.6x8mm BCS (self-tapping)(3)
- 2.6x12mm BCS (self-tapping) (1)
- O-ring (2)
- Mounting Clip (2)

Body snorkel assembly



Body snorkel installation



H. BODY ASSEMBLY

BODY ACCESSORIES BAG

Front grill assembly

- Front Grill
- Headlight Clamps (L&R)
- Front Grill Retainer
- 2.5X8mm BCS (6)



Left mirror assembly

- Left Side Mirror
- O-ring (2)
- Mounting Clip (2)



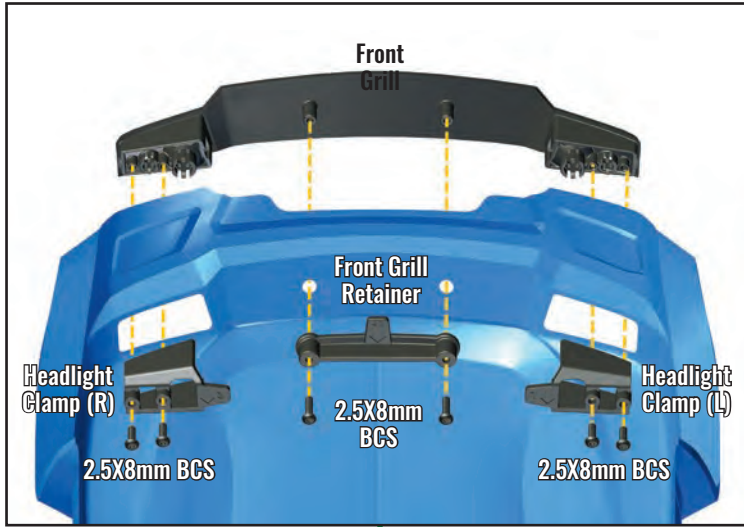
Rear tailgate assembly

- Rear Tailgate
- Rear Tail Light Clamps (L&R)
- Rear Tailgate Retainer
- 2.5X8mm BCS (4)

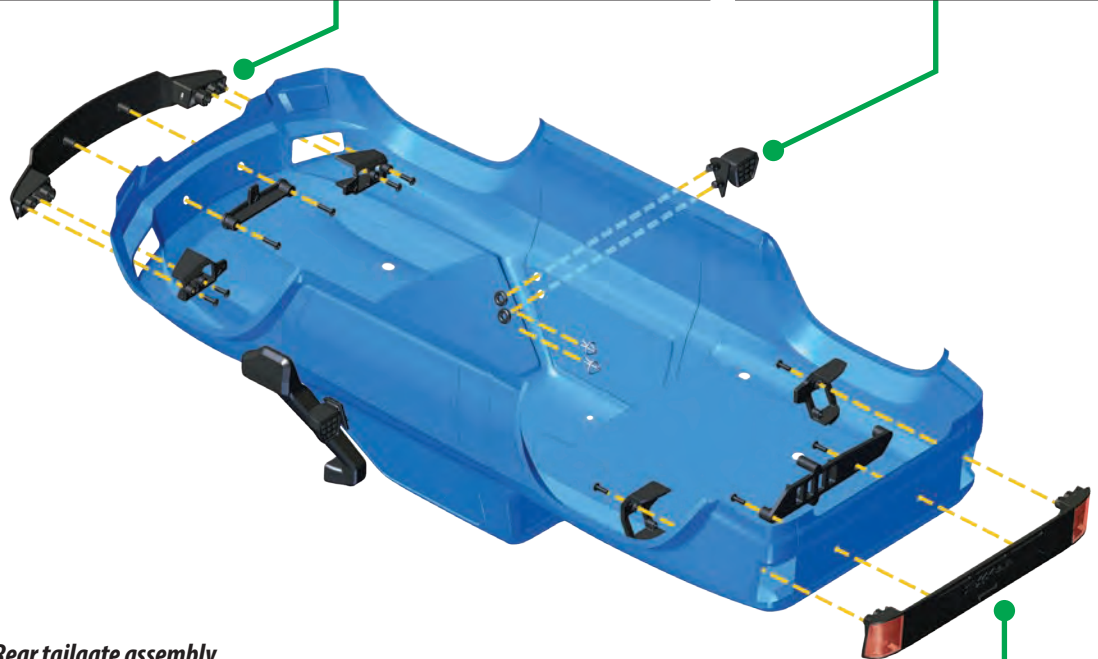
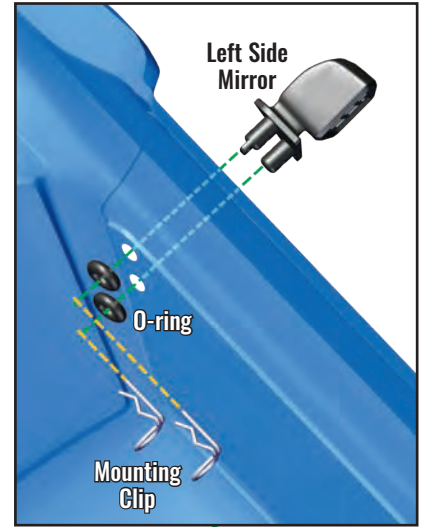


H2. Assemble and install grill, left mirror, and tailgate

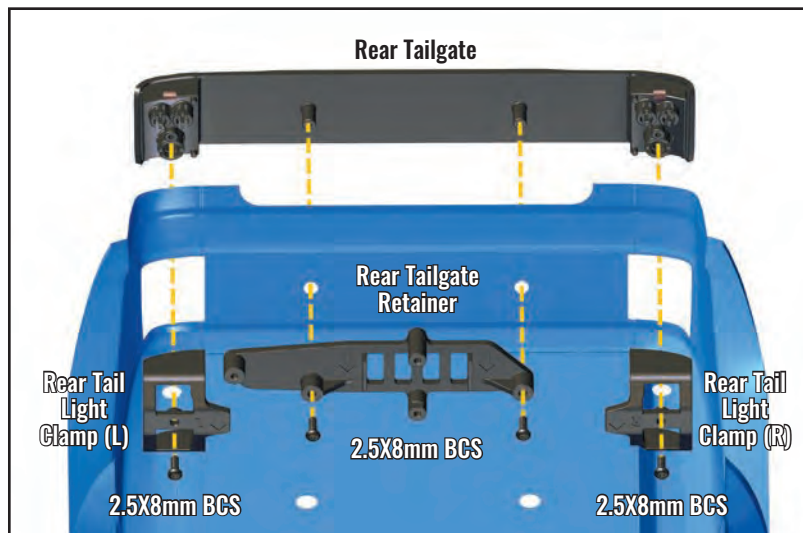
Front grill assembly



Left mirror assembly



Rear tailgate assembly

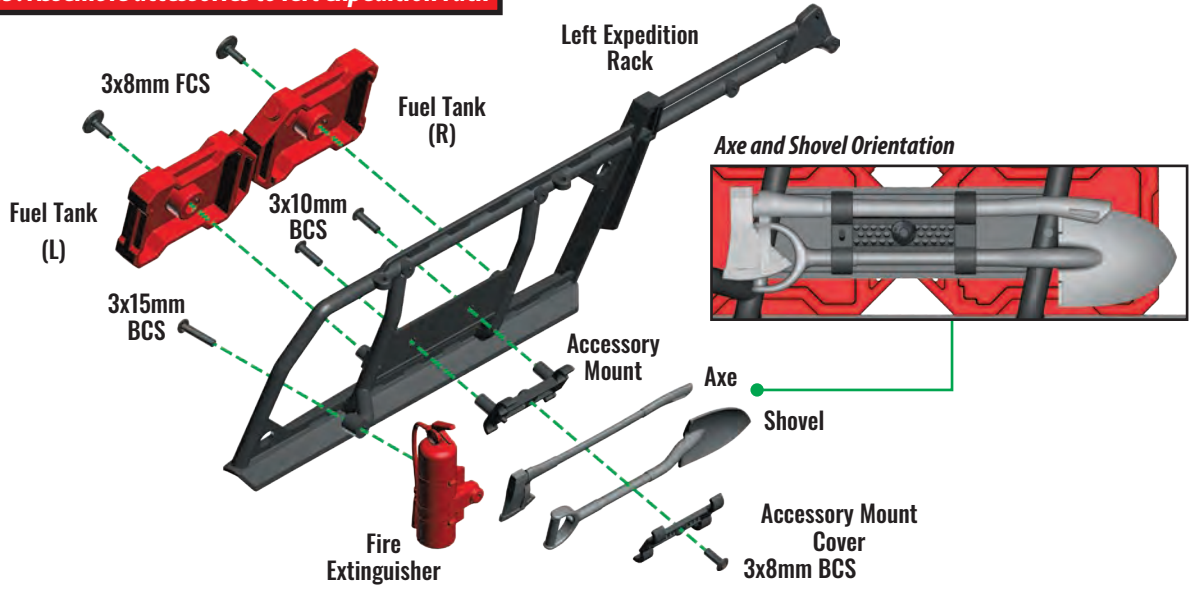


H. BODY ASSEMBLY

BODY ACCESSORIES BAG

H3. Assemble accessories to left expedition rack

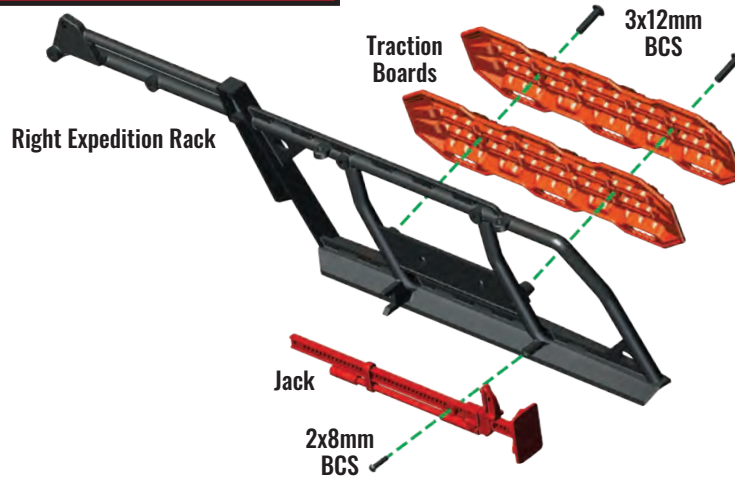
- Left Expedition Rack
- Fuel Tank (L&R)
- Fire Extinguisher, Axe & Shovel
- Accessory Mount
- Accessory Mount Cover
- 3x8mm FCS (2)
- 3x10mm BCS (2)
- 3x8mm BCS
- 3x15mm BCS



BODY ACCESSORIES BAG

H4. Assemble accessories to right expedition rack

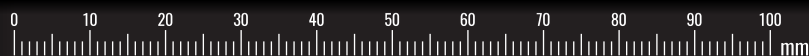
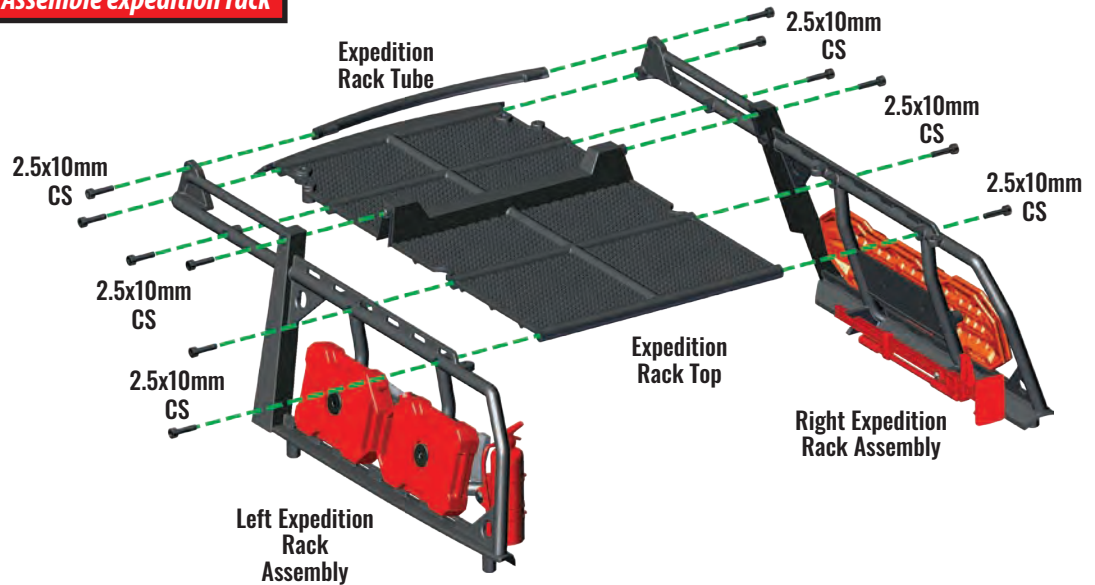
- Right Expedition Rack
- Traction Boards (2)
- Jack
- 3x12mm BCS (2)
- 2x8mm BCS



BODY ACCESSORIES BAG

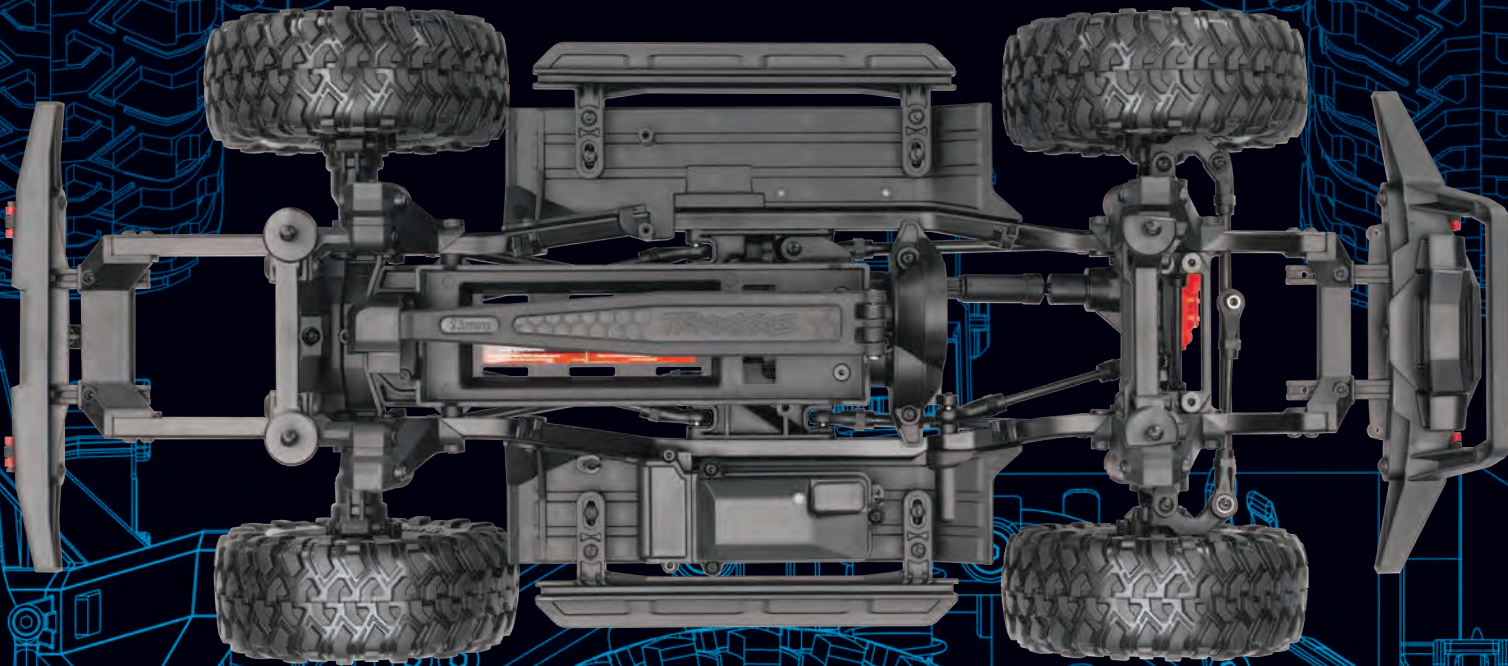
H5. Assemble expedition rack

- Expedition Rack Tube
- Expedition Rack Top
- Left Expedition Rack Assembly
- Right Expedition Rack Assembly
- 2.5x10mm CS (12)



TRAXXAS[®] SPORT

ASSEMBLY MANUAL



MODEL 82010-4

TRAXXAS

6250 TRAXXAS WAY, MCKINNEY, TEXAS 75070
1-888-TRAXXAS