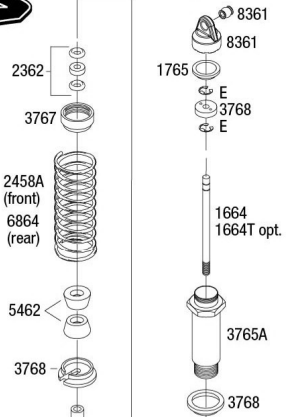
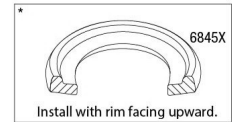


DRAG SLASH™

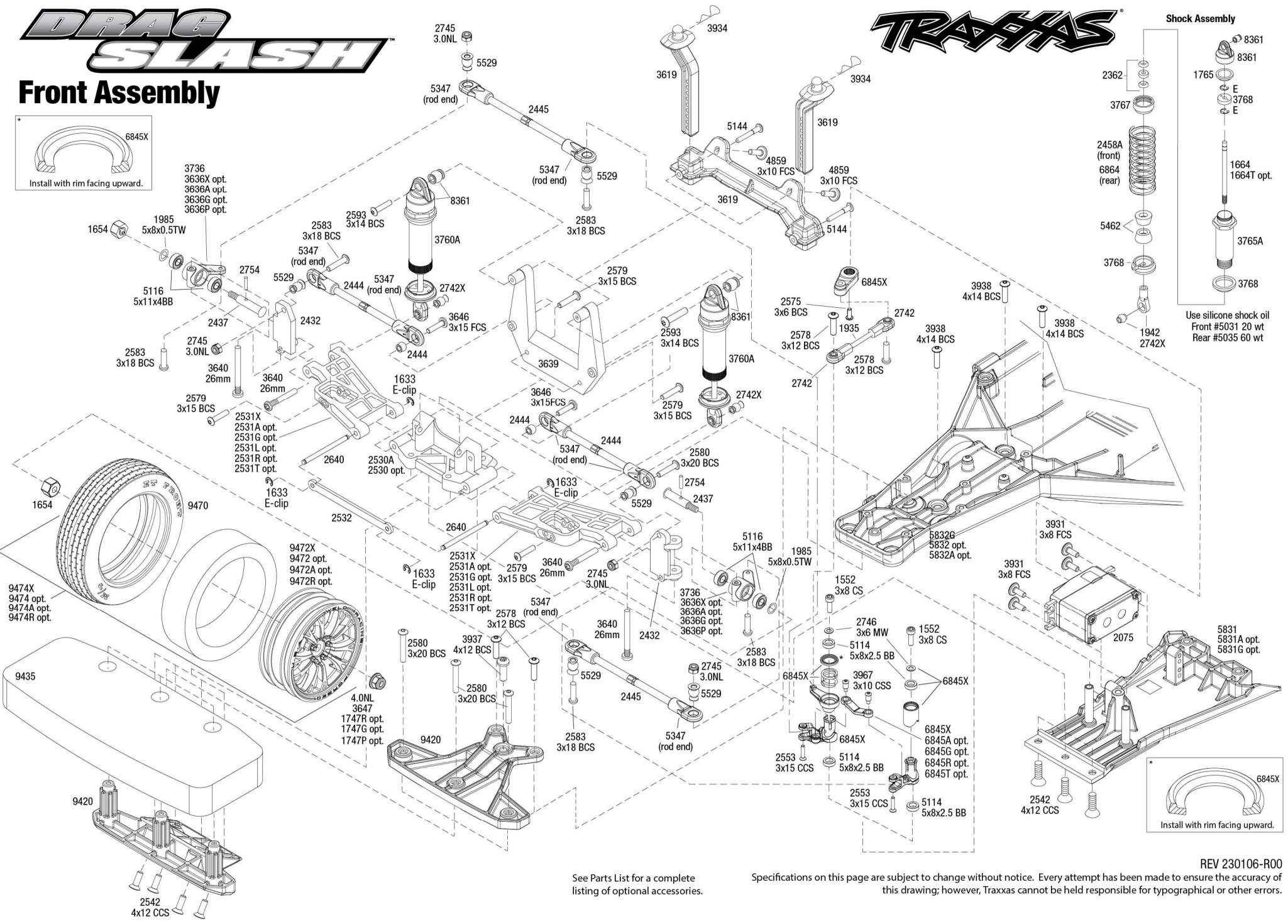
Front Assembly



Shock Assembly



Use silicone shock oil
Front #5031 20 wt
Rear #5035 60 wt



See Parts List for a complete listing of optional accessories.

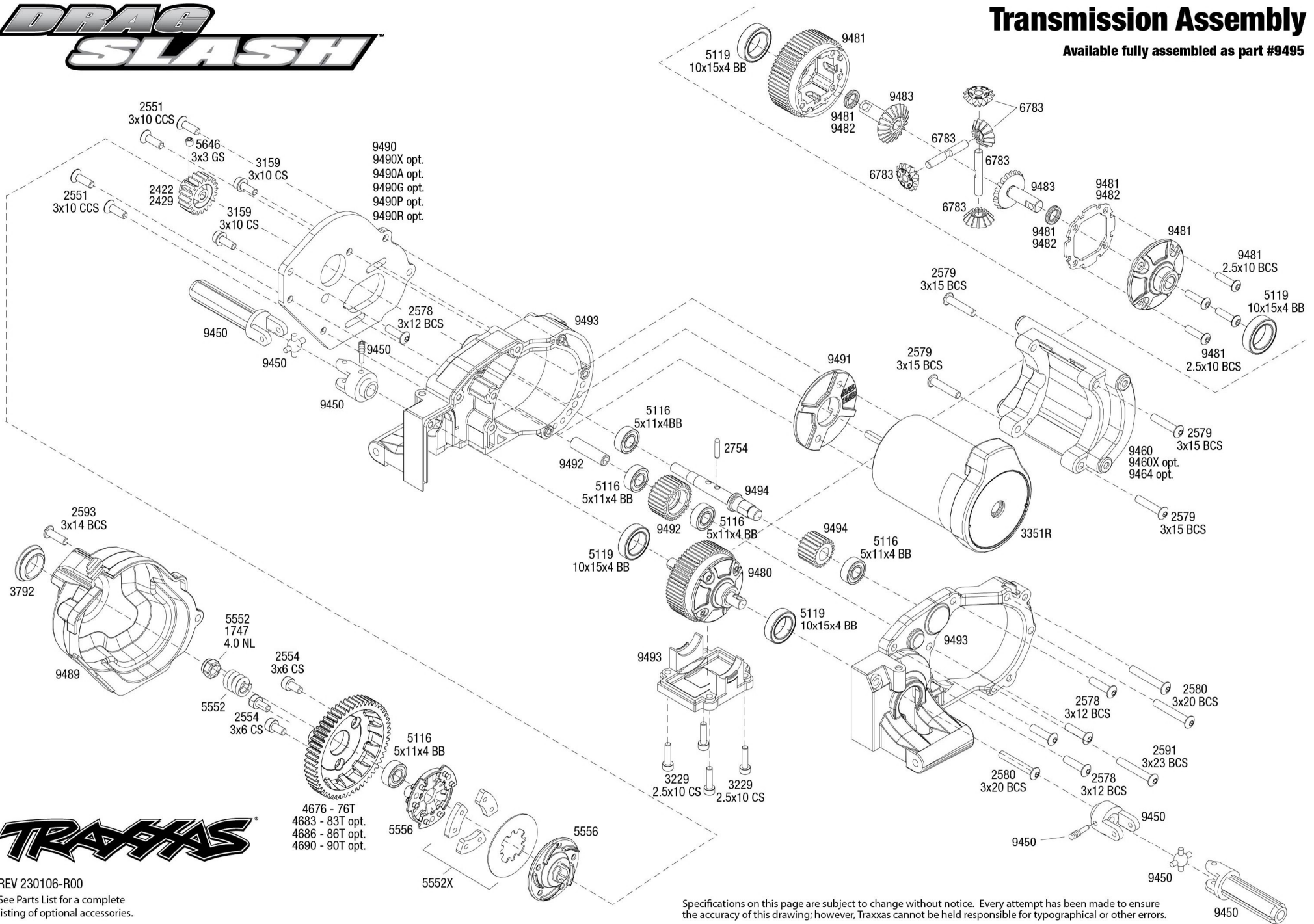
Specifications on this page are subject to change without notice. Every attempt has been made to ensure the accuracy of this drawing; however, Traxxas cannot be held responsible for typographical or other errors.

REV 230106-R00

DRAG SLASH

Transmission Assembly

Available fully assembled as part #9495



REV 230106-R00
See Parts List for a complete listing of optional accessories.

Specifications on this page are subject to change without notice. Every attempt has been made to ensure the accuracy of this drawing; however, Traxxas cannot be held responsible for typographical or other errors.

9450